

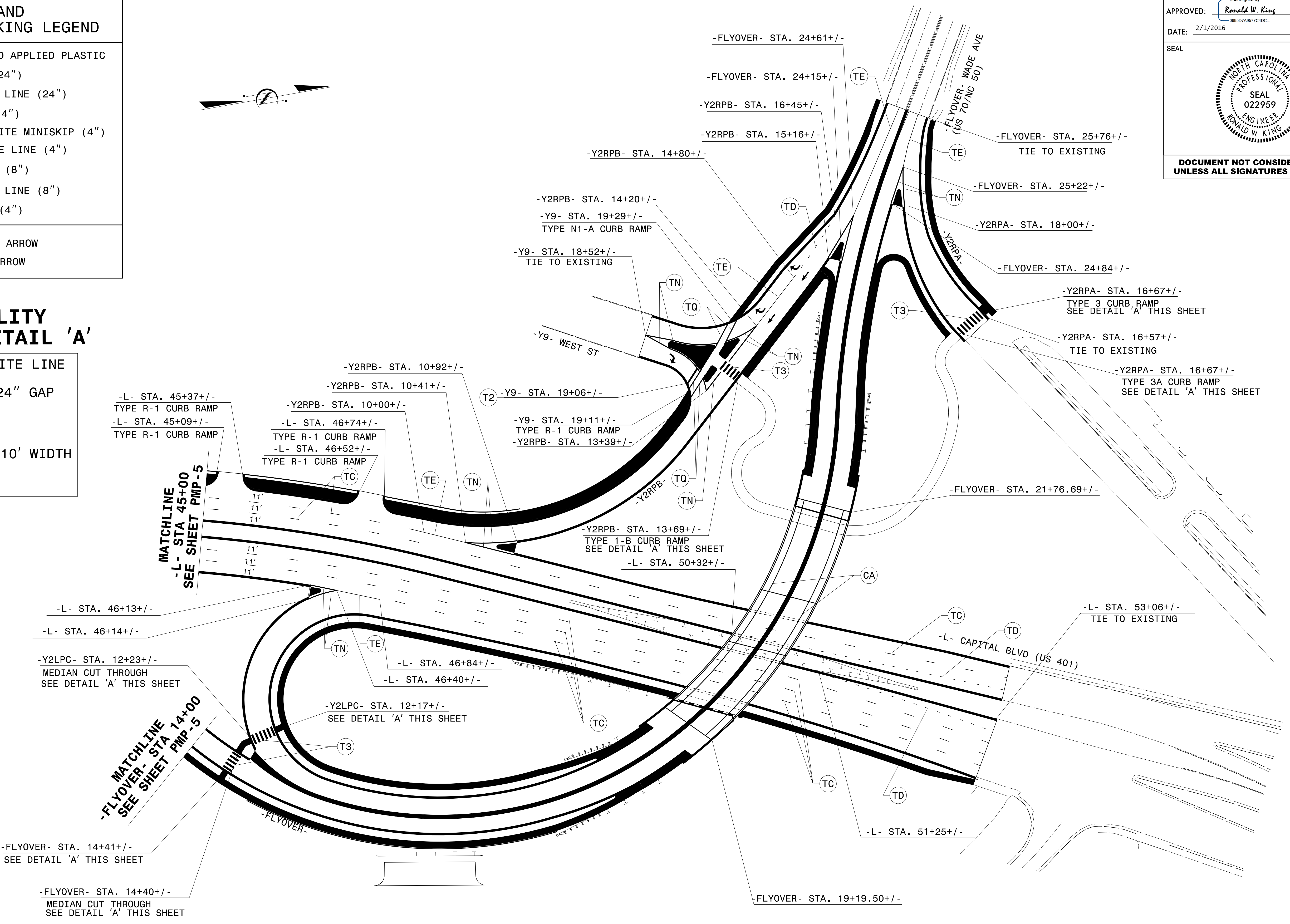
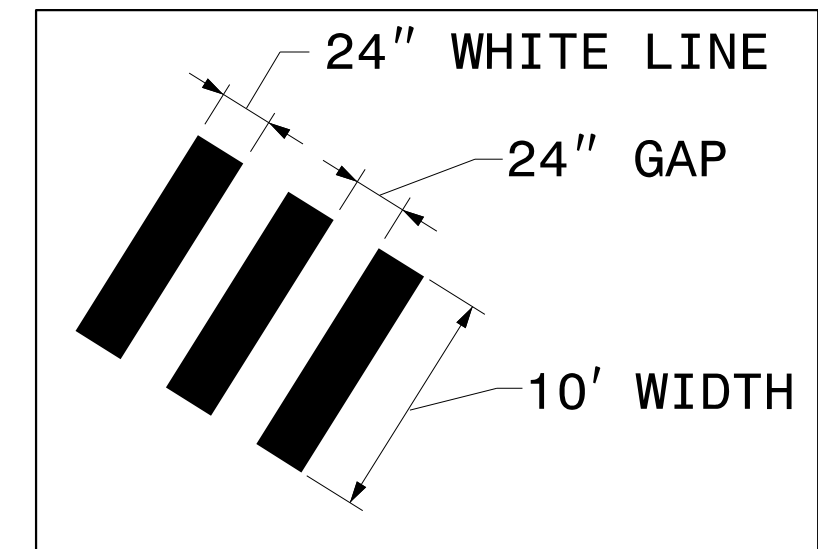
SEAL



**DOCUMENT NOT CONSIDERED FINAL
 UNLESS ALL SIGNATURES COMPLETED**

SYMBOL AND PAVEMENT MARKING LEGEND	
THERMOPLASTIC & COLD APPLIED PLASTIC	
(T2)	WHITE STOPBAR (24")
(T3)	WHITE CROSSWALK LINE (24")
(TC)	10' WHITE SKIP (4")
(TD)	3FT.-9FT./SP WHITE MINISKIP (4")
(TE)	WHITE SOLID LANE LINE (4")
(TN)	WHITE GORE LINE (8")
(TQ)	WHITE CROSSWALK LINE (8")
(CA)	WHITE EDGELINE (4")
↘ (UB)	RIGHT TURN ARROW
→ (UC)	STRAIGHT ARROW

HI-VISIBILITY CROSSWALK DETAIL 'A'



I:\28\2016\Projects-B\5121\Traffic\Signing\CADD\PM\B-5121-B5317_PMP-6.dgn
 Users\johns

PAVEMENT MARKING DETAIL