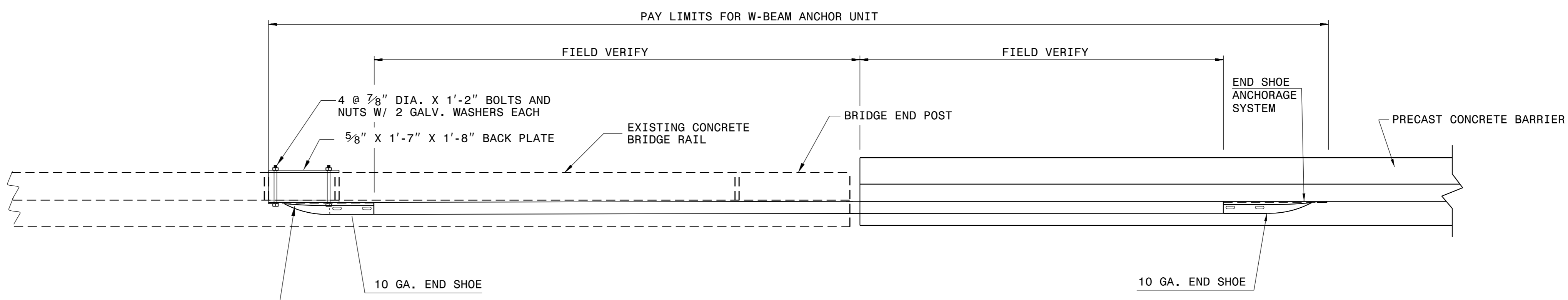
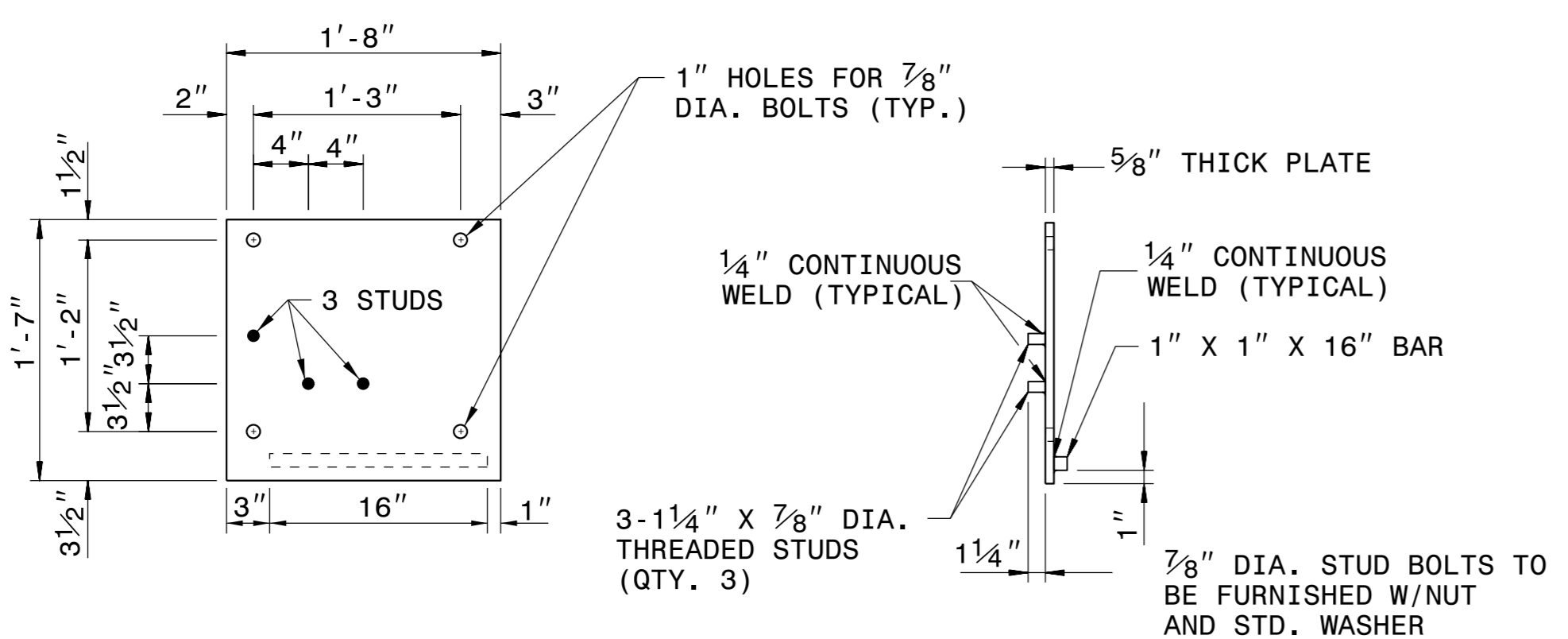


ELEVATION VIEW



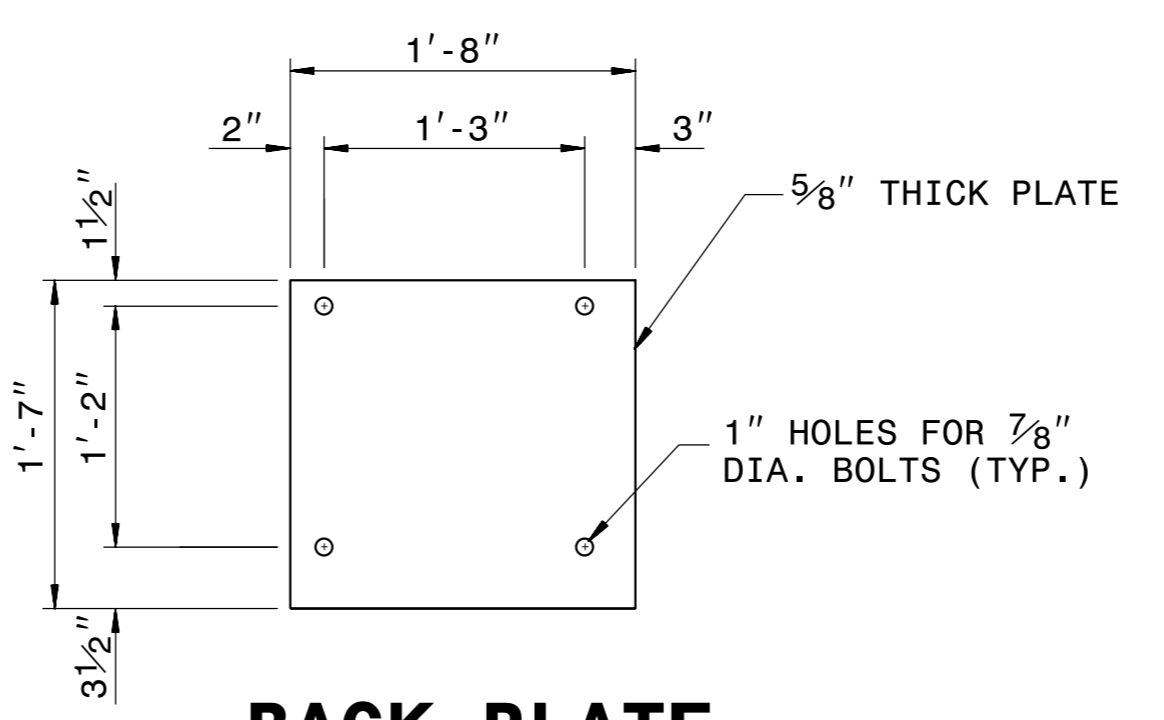
PLAN VIEW



FRONT VIEW

SIDE VIEW

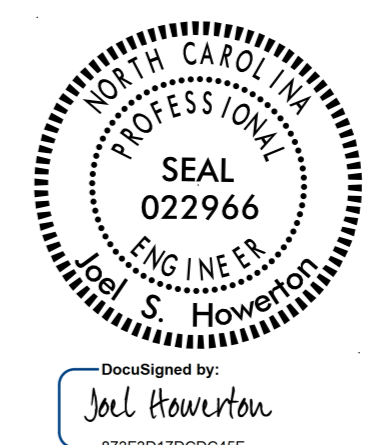
FRONT PLATE



BACK PLATE

- GENERAL NOTES:**
1. CONFORM NUTS, BOLTS, AND WASHERS TO THE REQUIREMENTS OF A.S.T.M. A-307 AND GALVANIZE IN ACCORDANCE WITH SECTION 1076 OF STAND. SPECS..
 2. TAP NUTS FOR THE 7/8" DIA. STUD BOLTS PLATE AFTER GALVANIZING SEE A.S.T.M. A-563.
 3. CONFORM PLATES AND TUBES TO THE REQUIREMENTS OF A.S.T.M. A-36 AND GALVANIZE AFTER FABRICATION IN ACCORDANCE WITH SECTION 1076 OF STAND. SPECS..
 4. DRILL ADDITIONAL FIELD HOLES IN STEEL RAIL AS DIRECTED BY THE ENGINEER.
 5. KEEP TOE OF PRECAST CONCRETE BARRIER FLUSH WITH FACE OF PARAPET.

3/3/2016



DOCUMENT NOT CONSIDERED FINAL UNLESS ALL SIGNATURES COMPLETED

CONTRACT STANDARDS AND DEVELOPMENT UNIT
Office 919-707-6950 FAX 919-250-4119

**ANCHOR UNIT
TYPE W BEAM**

ORIGINAL BY: C.O. CUEVAS DATE: 8-99
 MODIFIED BY: DATE:
 CHECKED BY: DATE:
 FILE SPEC.: ds182:\usr\cesar\english\anchor.dgn