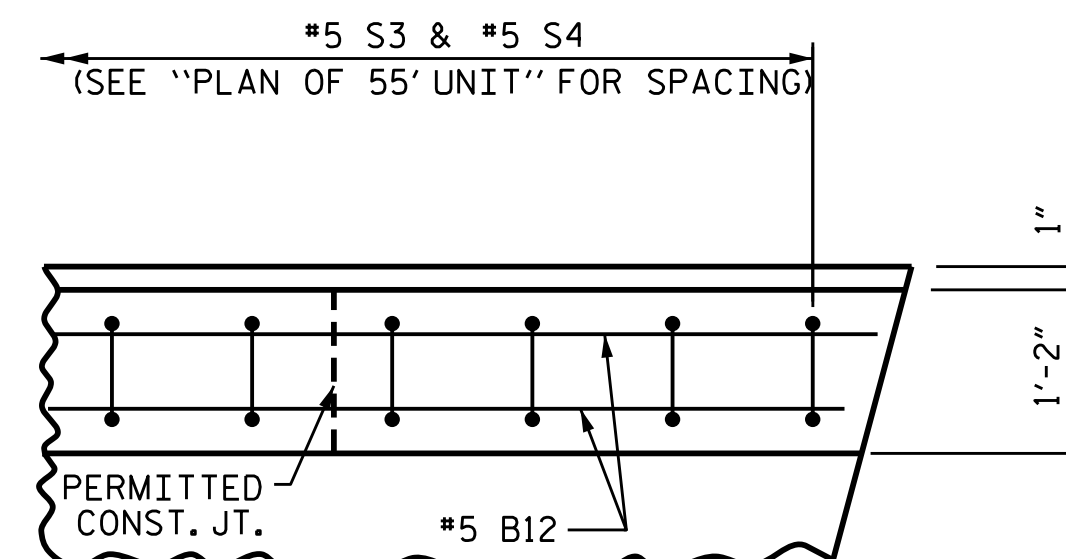
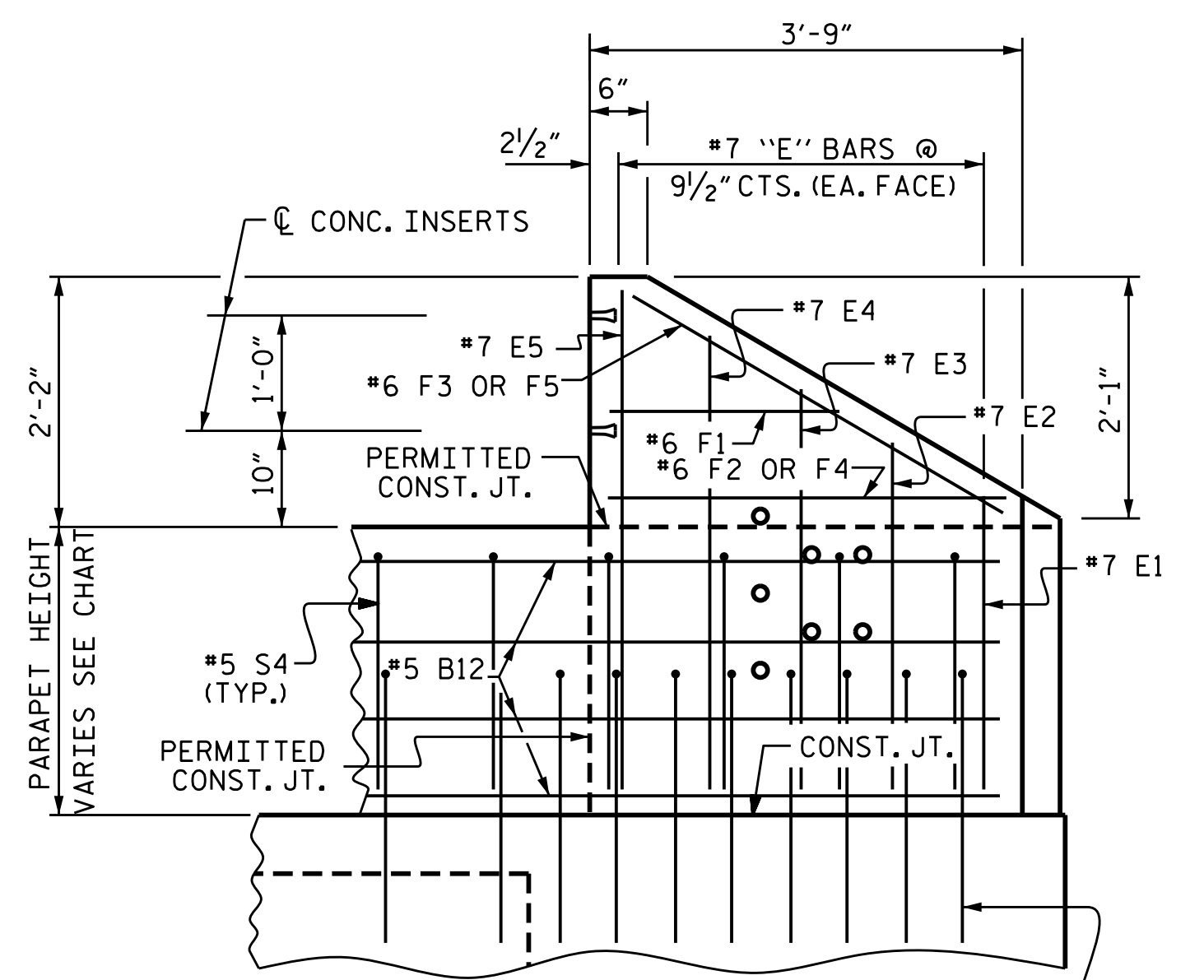


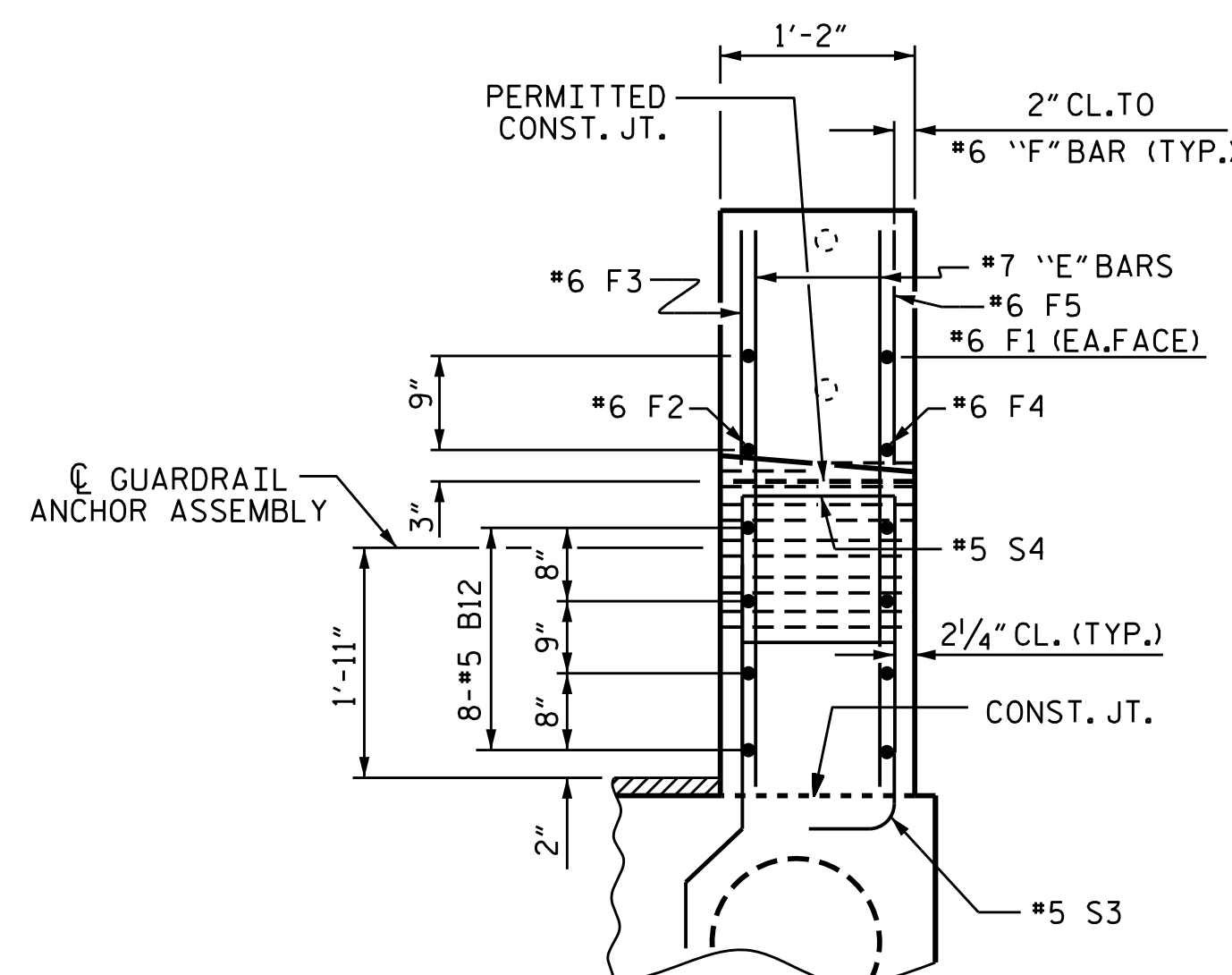
PLAN OF END POST



PLAN OF PARAPET

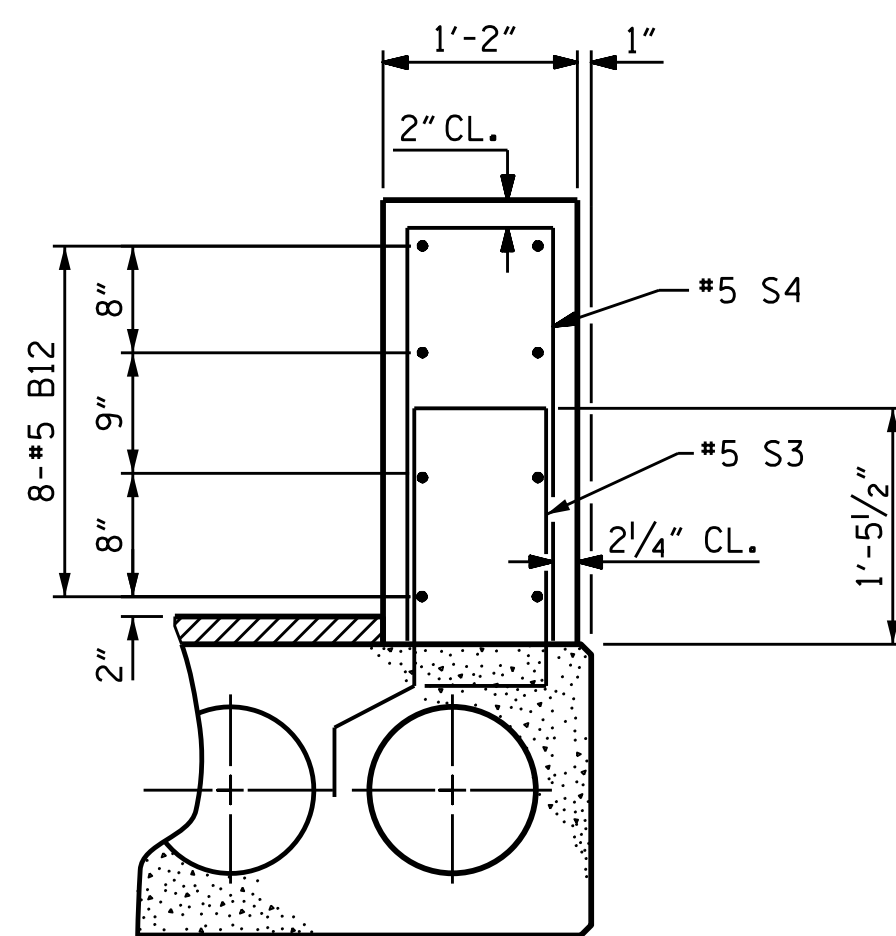


ELEVATION



END VIEW

PARAPET AND END POST FOR TWO BAR RAIL



SECTION THRU PARAPET

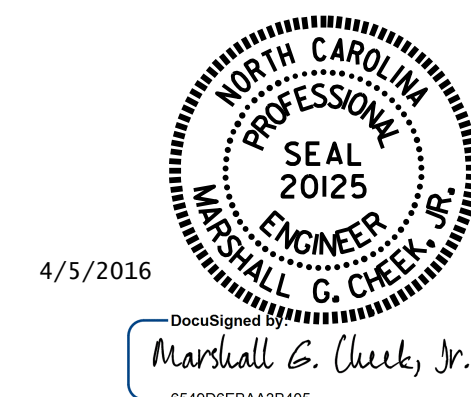
ASPHALT THICKNESS AND PARAPET HEIGHT VARIES.  
SEE "ASPHALT THICKNESS AND PARAPET HEIGHT" CHART, SHEET 4 OF 4.

PROJECT NO. B-5410  
JACKSON COUNTY  
 STATION: 14+13.00 -L-

SHEET 3 OF 4

STATE OF NORTH CAROLINA  
 DEPARTMENT OF TRANSPORTATION  
 RALEIGH

3'-0" X 1'-6"  
 PRESTRESSED CONCRETE  
 CORED SLAB UNIT  
 120° SKEW



REVISIONS						SHEET NO.
NO.	BY:	DATE:	NO.	BY:	DATE:	S-6
1			3			TOTAL SHEETS
2			4			17

DOCUMENT NOT CONSIDERED  
 FINAL UNLESS ALL  
 SIGNATURES COMPLETED

DRAWN BY : M. POOLE DATE : 2-16  
 CHECKED BY : M. G. CHEEK DATE : 2-12-16