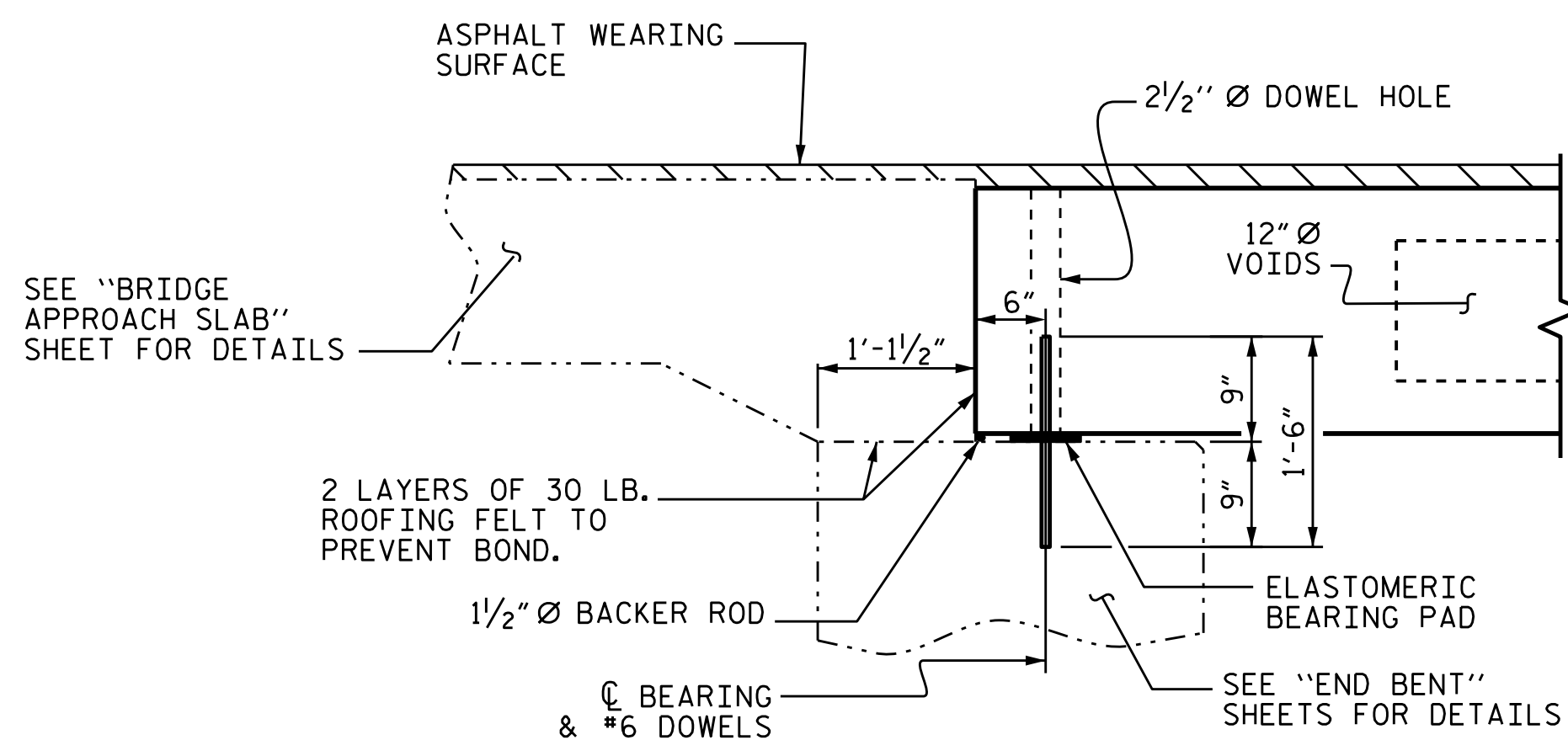


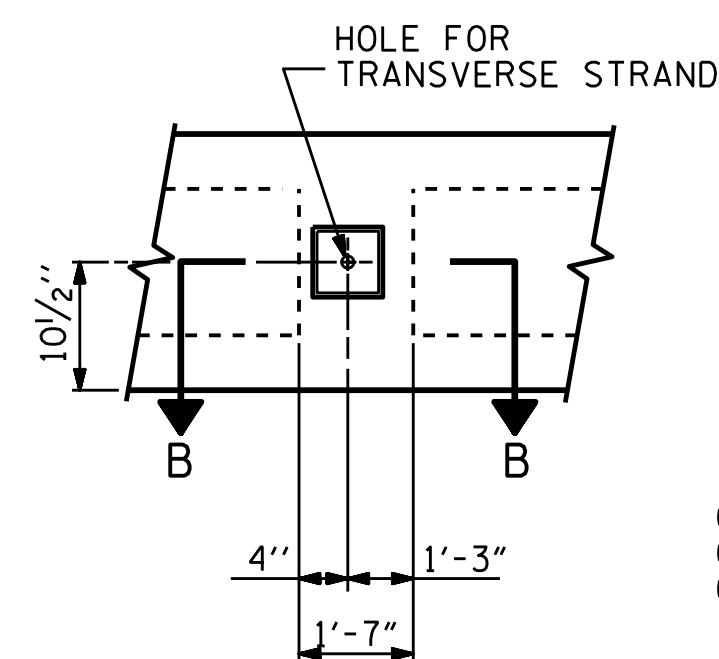
HALF SECTION AT INTERMEDIATE DIAPHRAGMS
HALF SECTION THROUGH VOIDS
TYPICAL SECTION

* - THE MAXIMUM PARAPET HEIGHT IS SHOWN. THE HEIGHT OF THE PARAPET AND ASPHALT THICKNESS VARIES WHILE THE TOP OF THE PARAPET FOLLOWS THE PROFILE OF THE GUTTERLINE. FOR PARAPET HEIGHT DETAILS AND ASPHALT THICKNESS, SEE "ASPHALT THICKNESS & PARAPET HEIGHT" CHART, SHEET 4 OF 4.

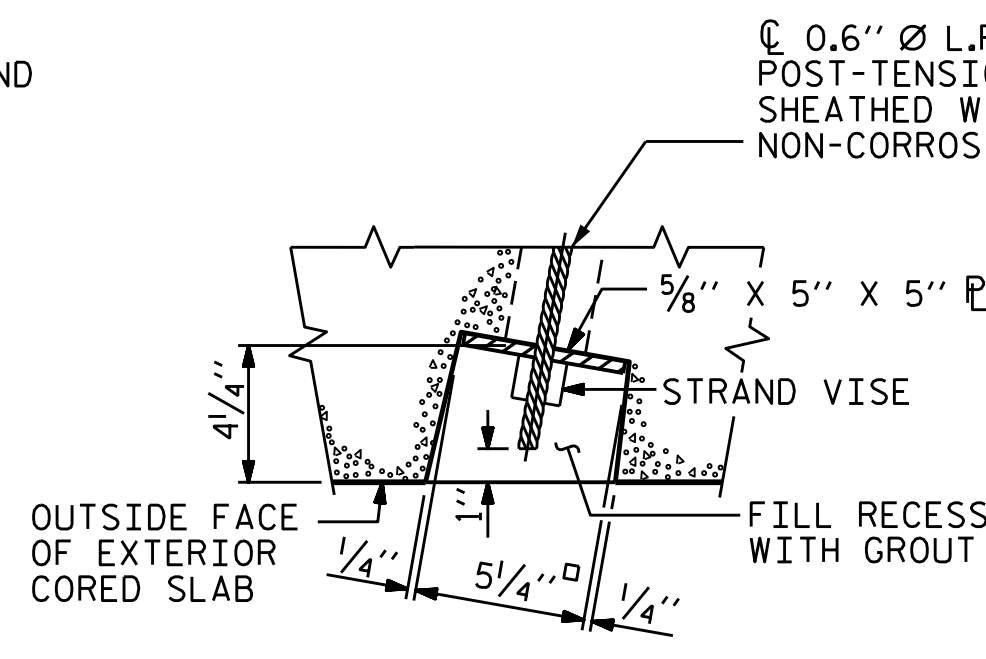
FIXED END



SECTION AT END BENT

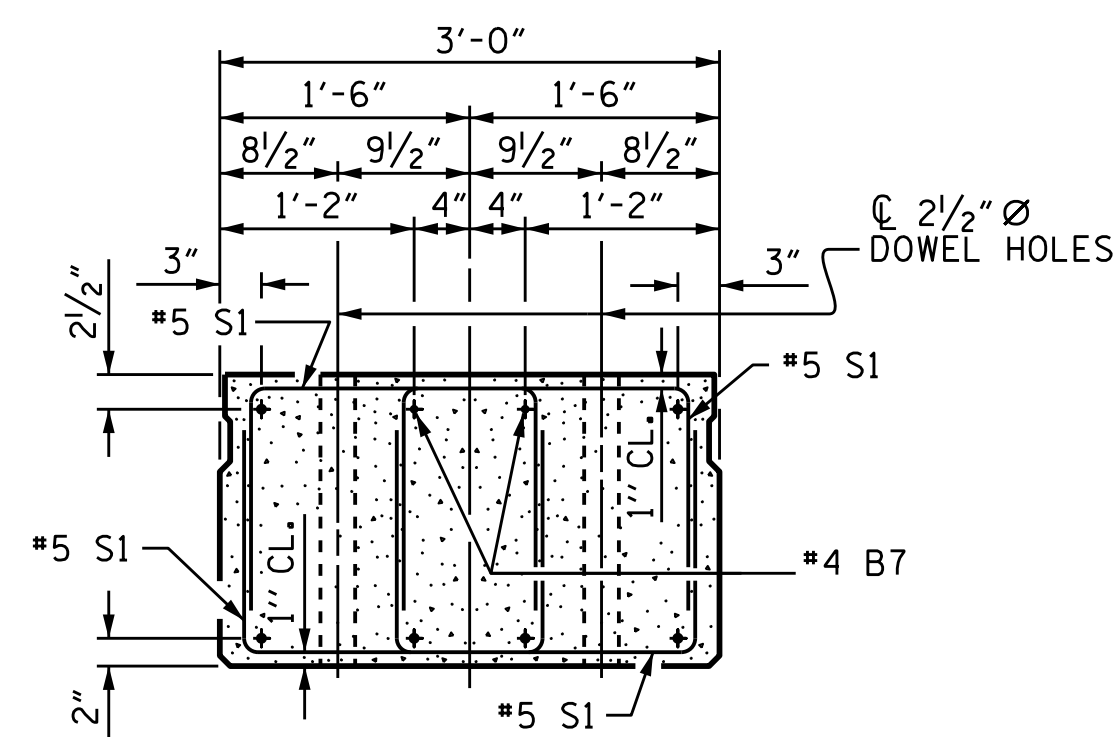


ELEVATION VIEW



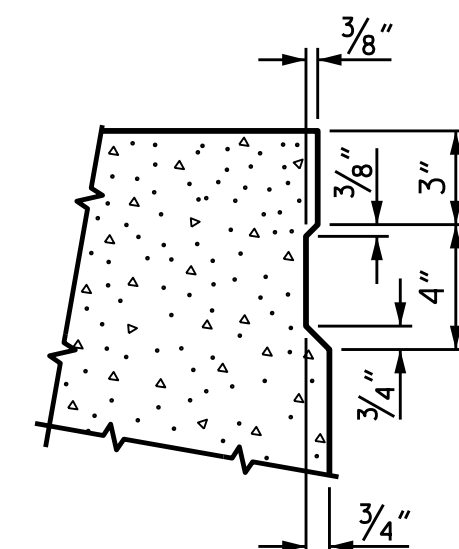
SECTION B-B

GRAUTED RECESS AT END OF POST-TENSIONED STRAND OF CORED SLABS



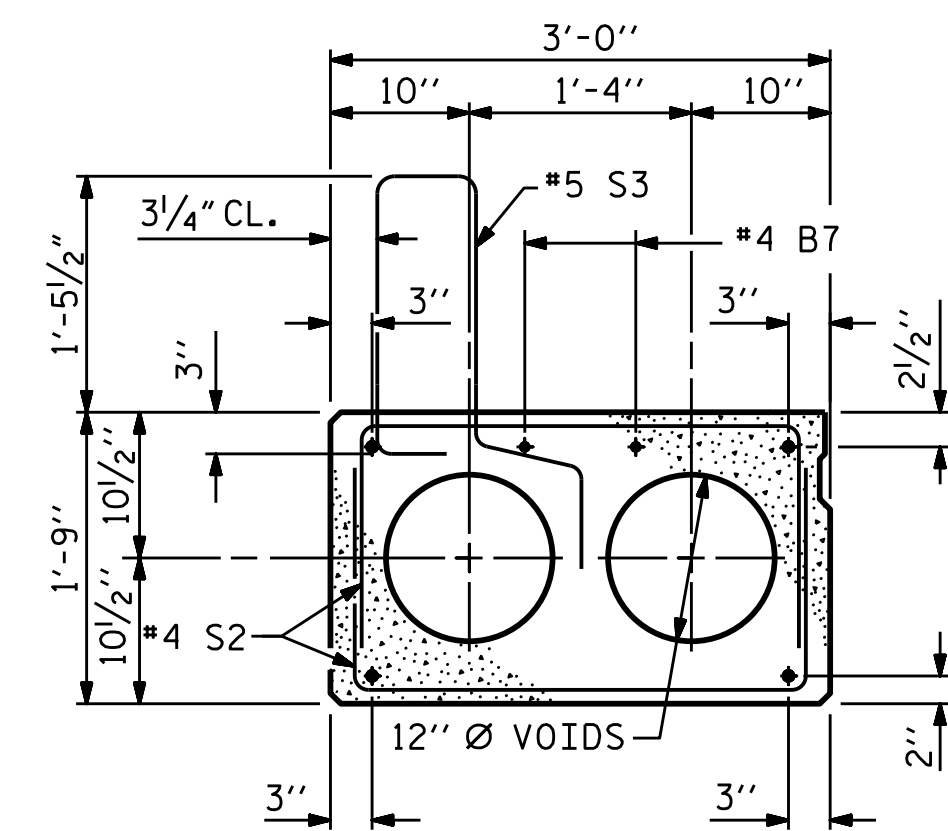
END ELEVATION

SHOWING PLACEMENT OF DOUBLE STIRRUPS AND LOCATION OF DOWEL HOLES. (STRAND LAYOUT NOT SHOWN.) INTERIOR SLAB UNIT SHOWN-EXTERIOR SLAB UNIT SIMILAR EXCEPT SHEAR KEY LOCATION.



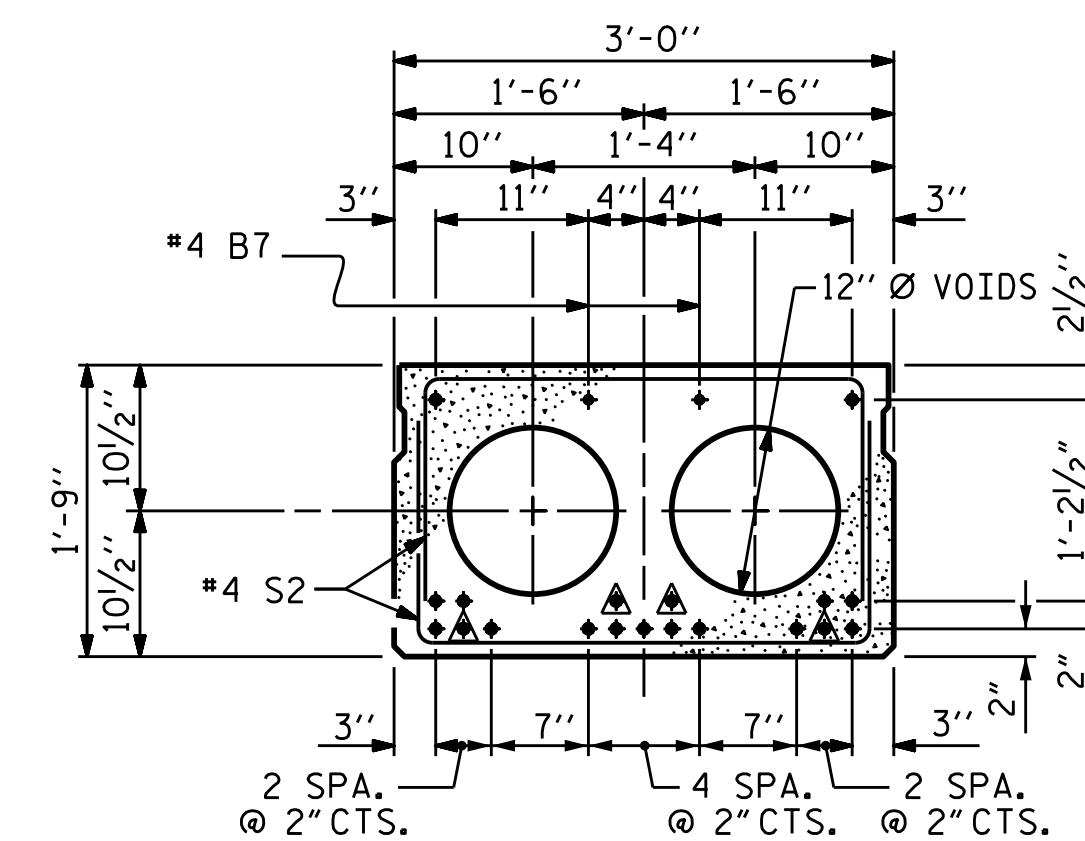
SHEAR KEY DETAIL

NOTE: OMIT SHEAR KEY ON OUTSIDE FACE OF EXTERIOR CORED SLABS.



EXT. SLAB SECTION

(FOR PRESTRESSED STRAND LAYOUT, SEE INTERIOR SLAB SECTION.)

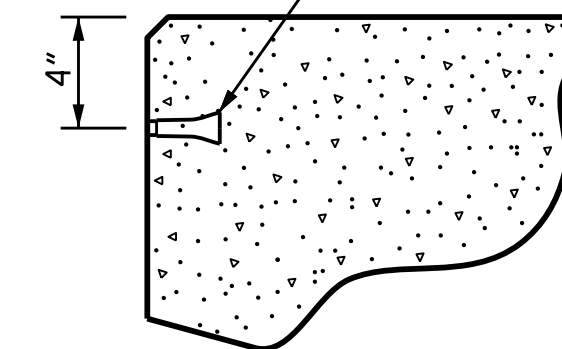


INTERIOR SLAB SECTION
(19 STRANDS REQUIRED)

0.6" Ø LOW RELAXATION STRAND LAYOUT

▲ BOND SHALL BE BROKEN ON THESE STRANDS FOR A DISTANCE OF 6'-0" FROM END OF CORED SLAB UNIT. SEE STANDARD SPECIFICATIONS, ARTICLE 1078-7.

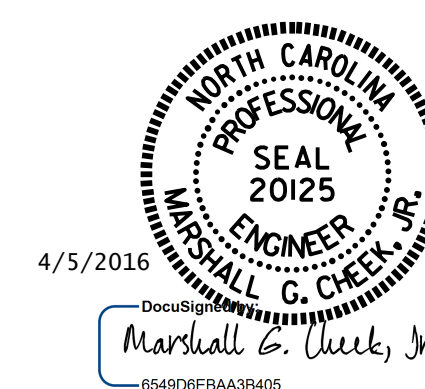
PERMITTED THREADED INSERT CAST IN OUTSIDE FACE OF EXTERIOR UNIT AND RECESSED 3/8" SIZE TO BE DETERMINED BY CONTRACTOR.



THREADED INSERT DETAIL

PROJECT NO. B-5410
JACKSON COUNTY
STATION: 14+13.00 -L-

SHEET 1 OF 4



STATE OF NORTH CAROLINA
DEPARTMENT OF TRANSPORTATION
RALEIGH
STANDARD
3'-0" X 1'-9"
PRESTRESSED CONCRETE
CORED SLAB UNIT
120° SKEW

ASSEMBLED BY : M. POOLE	DATE : 01-16
CHECKED BY : M. G. CHEEK	DATE : 2-12-16
DRAWN BY : DGE 5/09	
CHECKED BY : BCH 6/09	
REV. 9/14	MAA/TMG

DOCUMENT NOT CONSIDERED FINAL UNLESS ALL SIGNATURES COMPLETED

REVISIONS						SHEET NO.
NO.	BY:	DATE:	NO.	BY:	DATE:	S-4
1			3			TOTAL SHEETS 17
2			4			