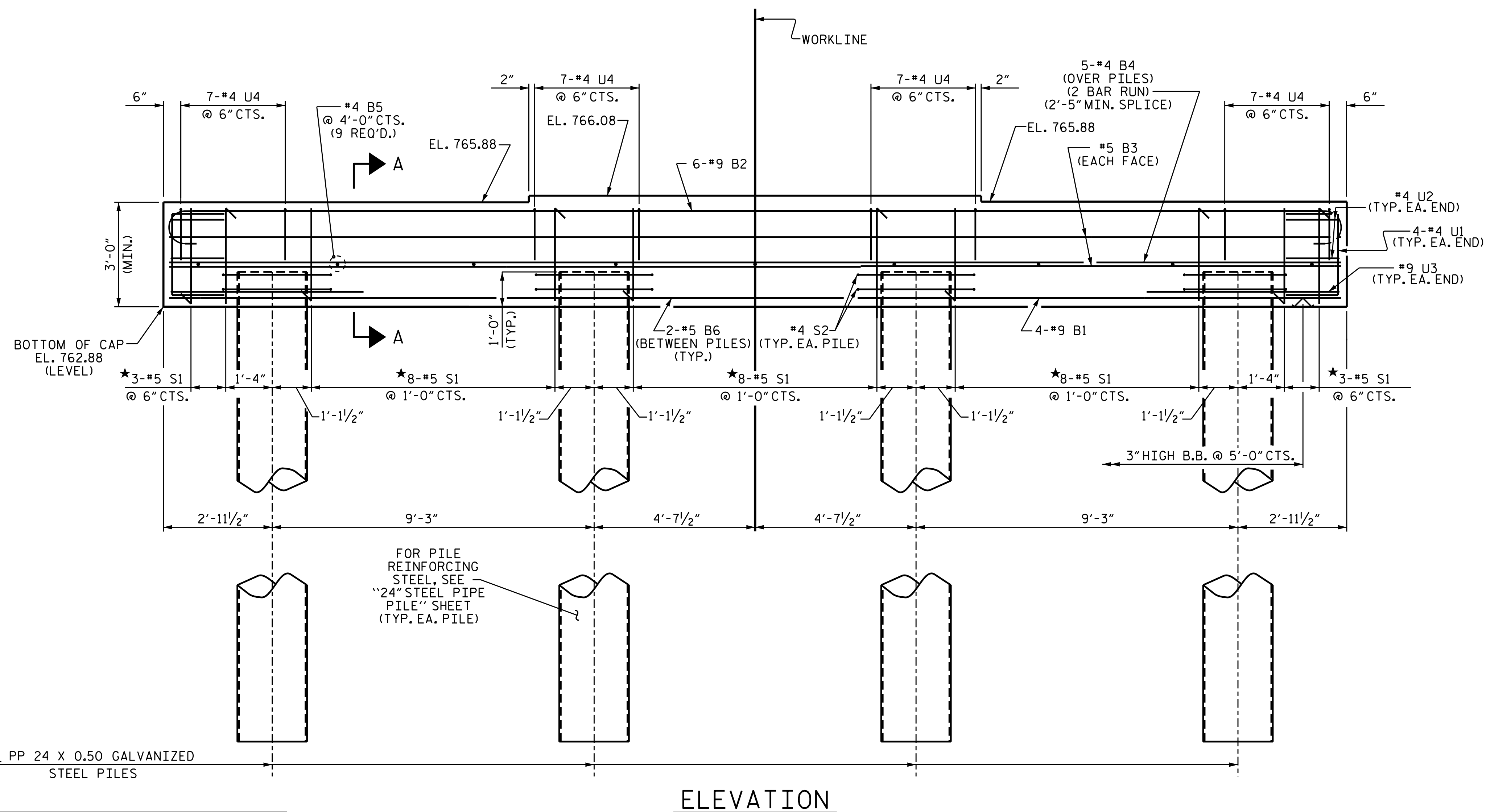
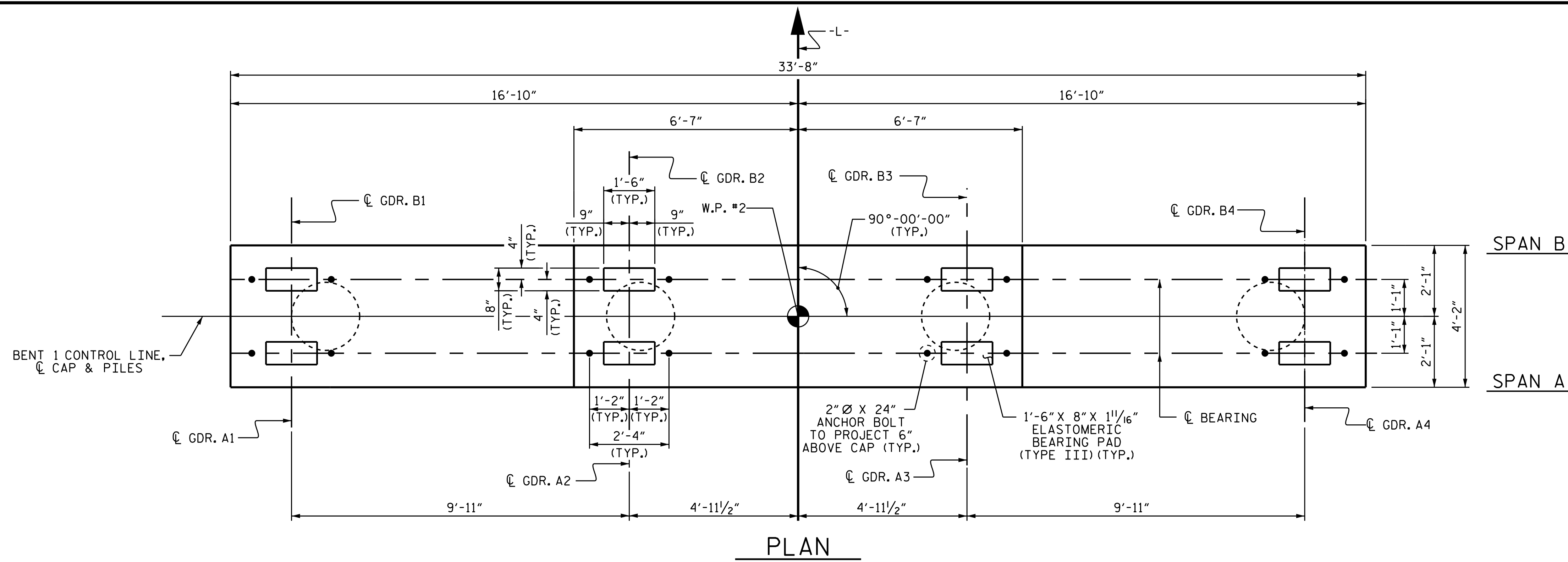


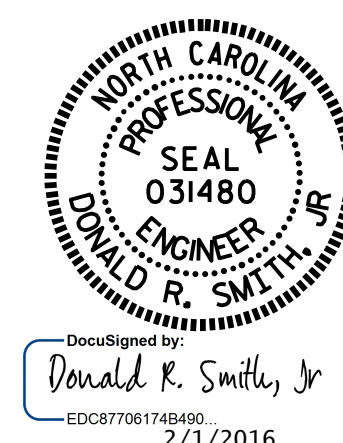
**NOTES**

- STIRRUPS IN CAP MAY BE SHIFTED AS NECESSARY TO CLEAR ANCHOR BOLTS.
- GALVANIZE THE TOP 40 FEET OF EACH INTERIOR BENT PILE IN ACCORDANCE WITH SECTION 1076 OF THE STANDARD SPECIFICATIONS.
- ★ INVERT ALTERNATE STIRRUPS.
- CONCRETE DISPLACED BY 24" STEEL PIPE PILES HAS BEEN DEDUCTED FROM THE CONCRETE QUANTITY.



PROJECT NO. B-5142  
IREDELL COUNTY  
 STATION: 22+06.00 -L-

SHEET 1 OF 2



STATE OF NORTH CAROLINA  
 DEPARTMENT OF TRANSPORTATION  
 RALEIGH  
 SUBSTRUCTURE  
 BENT 1

REVISIONS

NO.	BY:	DATE:	NO.	BY:	DATE:	SHEET NO.
1			3			S-26
2			4			TOTAL SHEETS 38

DOCUMENT NOT CONSIDERED FINAL UNLESS ALL SIGNATURES COMPLETED

DRAWN BY: J.D. HAWK DATE: 6-11-15  
 CHECKED BY: K.D. LAYNE DATE: 7-2-15  
 DESIGN ENGINEER OF RECORD: T.H. CARROLL DATE: 8-18-15