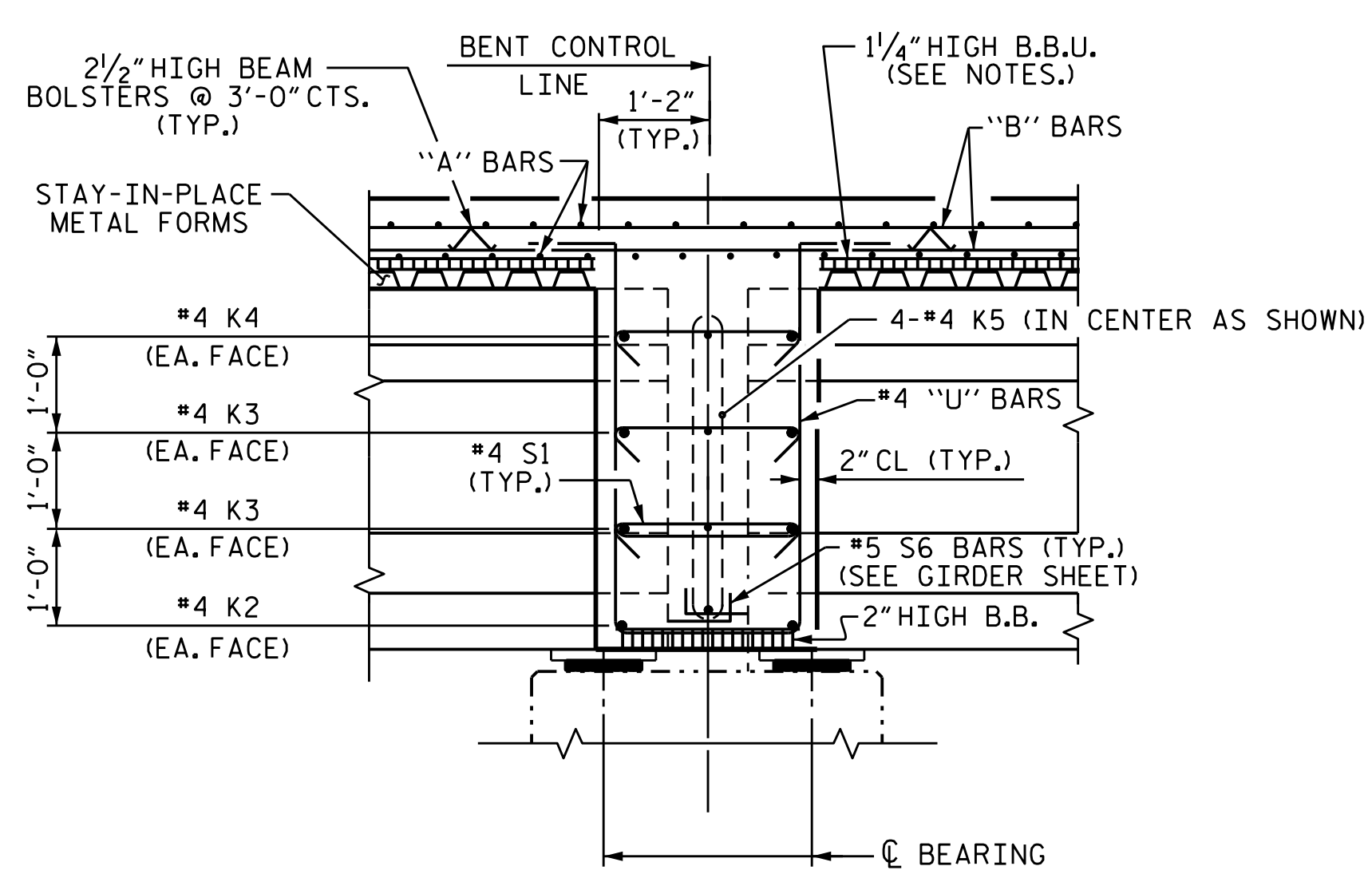
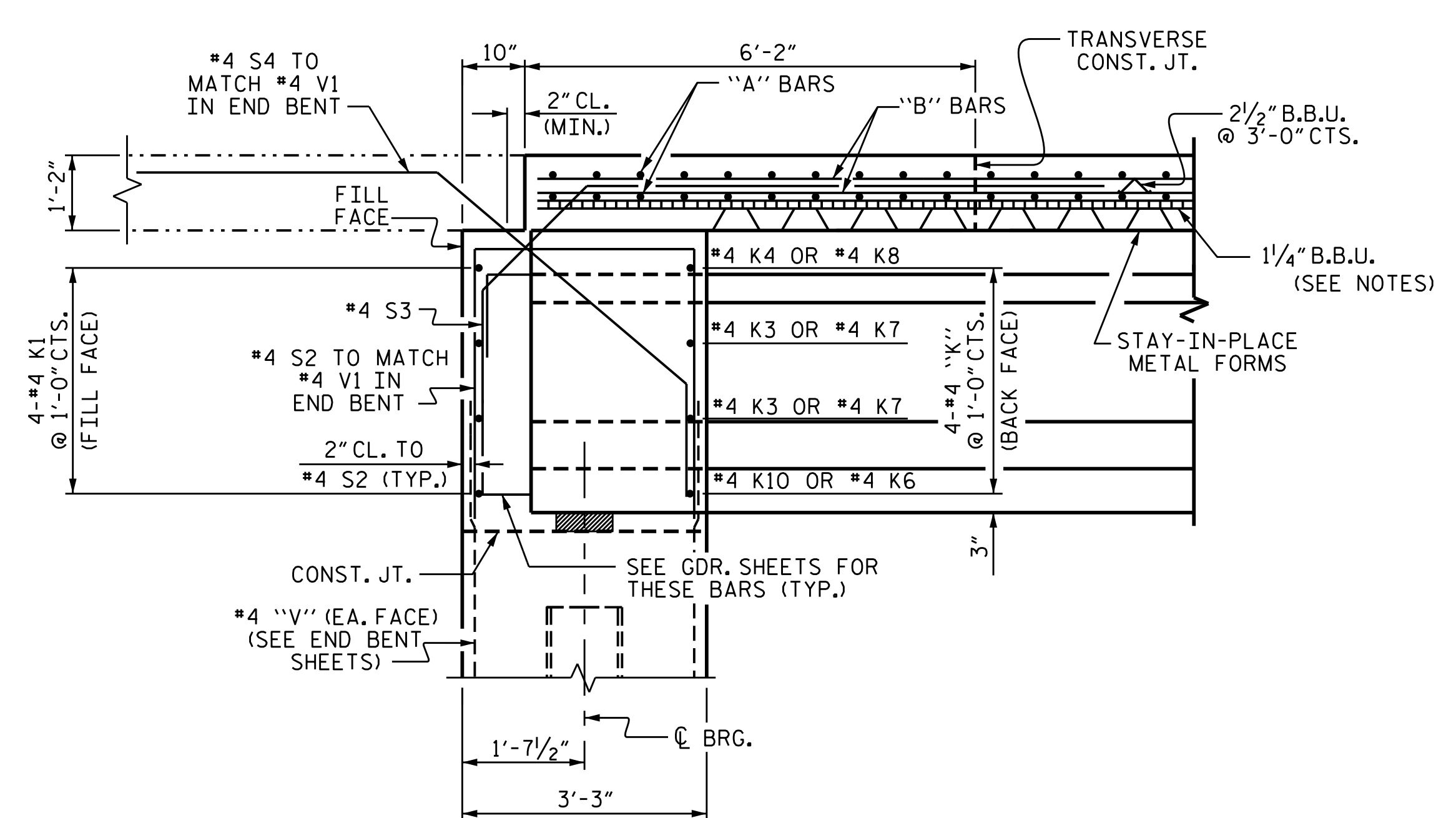


**TYPICAL SECTION @ INTEGRAL END BENT**  
(END BENT 1 SHOWN, END BENT 2 SIMILAR)

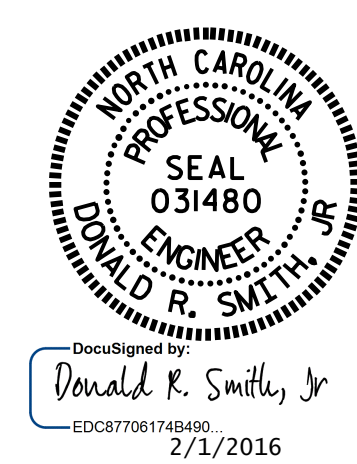


**SECTION THROUGH BENT DIAPHRAGM**



**SECTION THROUGH INTEGRAL END BENT**

PROJECT NO. B-5142  
IREDELL COUNTY  
 STATION: 22+06.00 -L-  
 SHEET 1 OF 3



STATE OF NORTH CAROLINA		DEPARTMENT OF TRANSPORTATION		RALEIGH	
SUPERSTRUCTURE					
TYPICAL SECTION					
REVISIONS					
NO.	BY:	DATE:	NO.	BY:	DATE:
1			3		
2			4		

DRAWN BY : K. D. LAYNE DATE : 4-27-15  
 CHECKED BY : J. D. HAWK DATE : 5-12-15  
 DESIGN ENGINEER OF RECORD : T. H. CARROLL DATE : 8-18-15

DOCUMENT NOT CONSIDERED  
 FINAL UNLESS ALL  
 SIGNATURES COMPLETED

SHEET NO.	
S-5	
TOTAL SHEETS	38