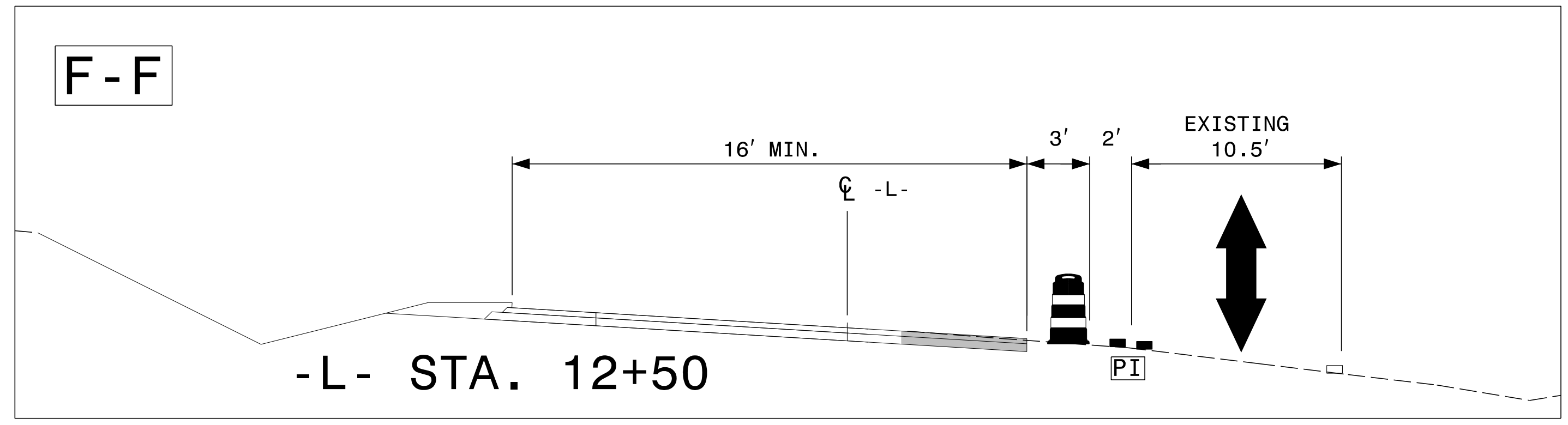
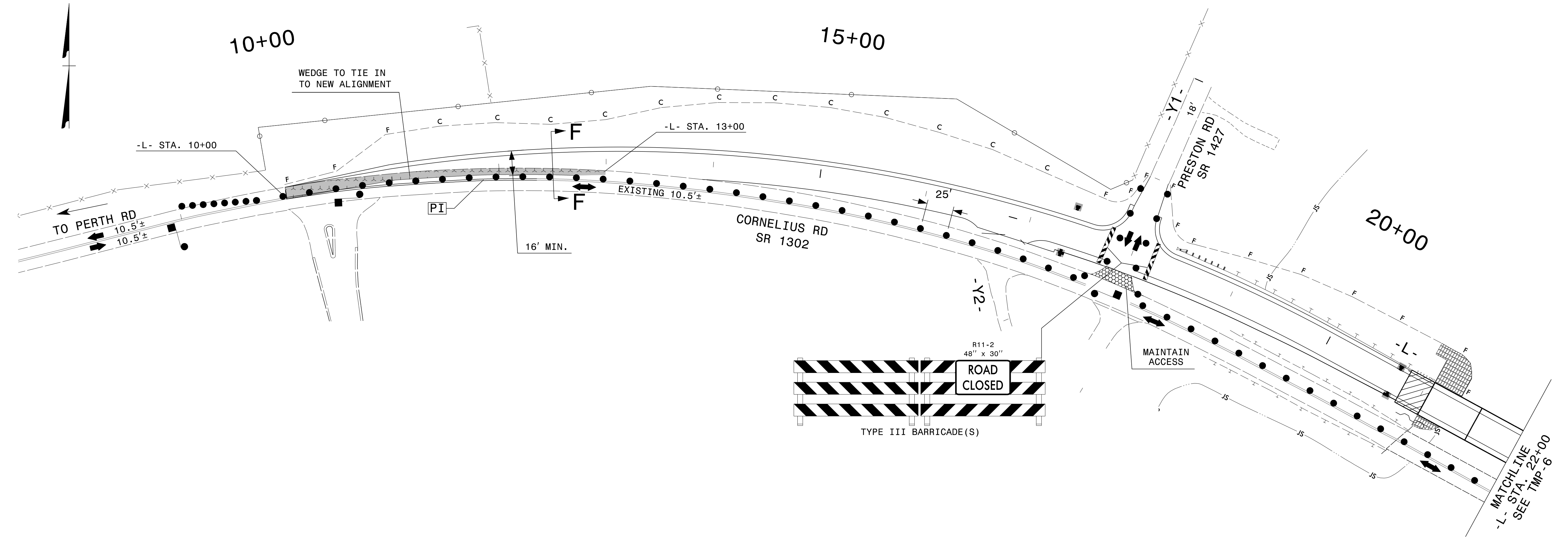


SEE RSD 1101.02, SHEET 1 OF 15, FOR
FLAGGER, TAPER, AND BUFFER LOCATIONS



APPROVED: <i>J. W. Woolard, Jr.</i> DATE: 10/6/2015			PHASE I STEP 3 DETAIL
--	--	--	--------------------------------------

10/5/2015
 P:\TIP\Projects-B\B5142\TrafficControl\TCP\B-5142_TC_TMP_Pib1.dgn
 User: sfnasson