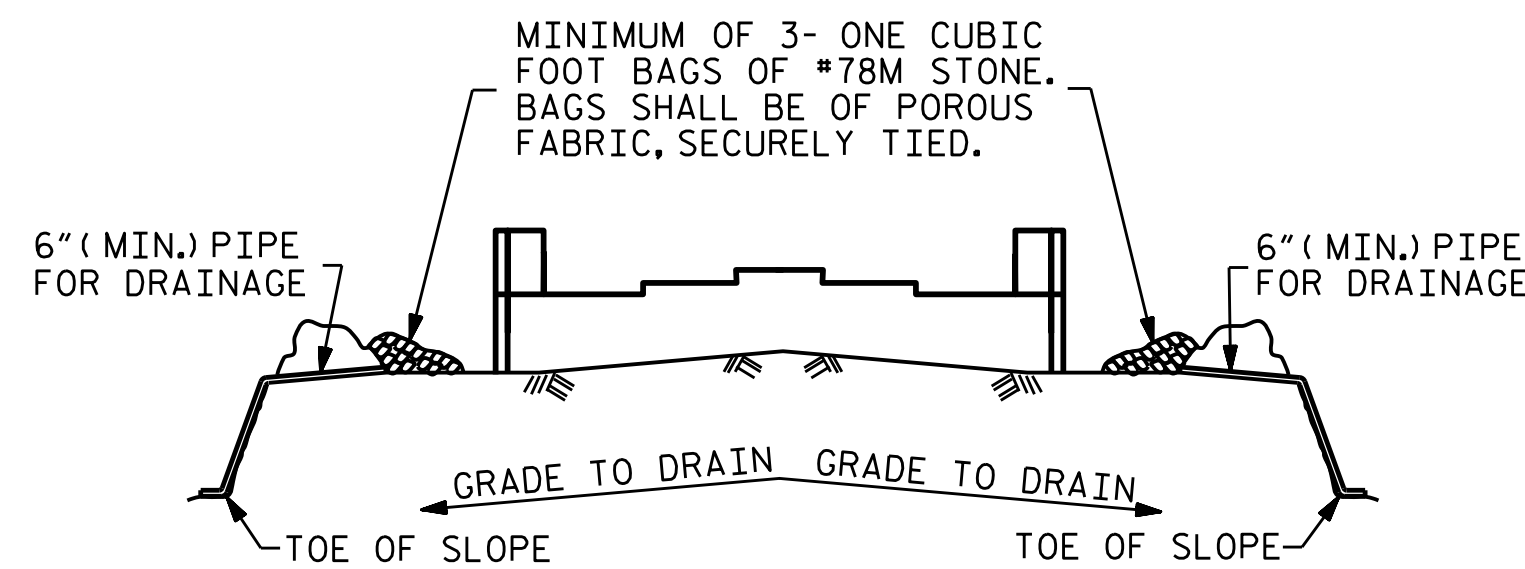


PILE SPLICE DETAILS



BAGGED STONE AND PIPE SHALL BE PLACED IMMEDIATELY AFTER COMPLETION OF END BENT EXCAVATION. PIPE MAY BE EITHER CONCRETE, CORRUGATED STEEL, CORRUGATED ALUMINUM ALLOY, OR CORRUGATED PLASTIC. PERFORATED PIPE WILL NOT BE ALLOWED.

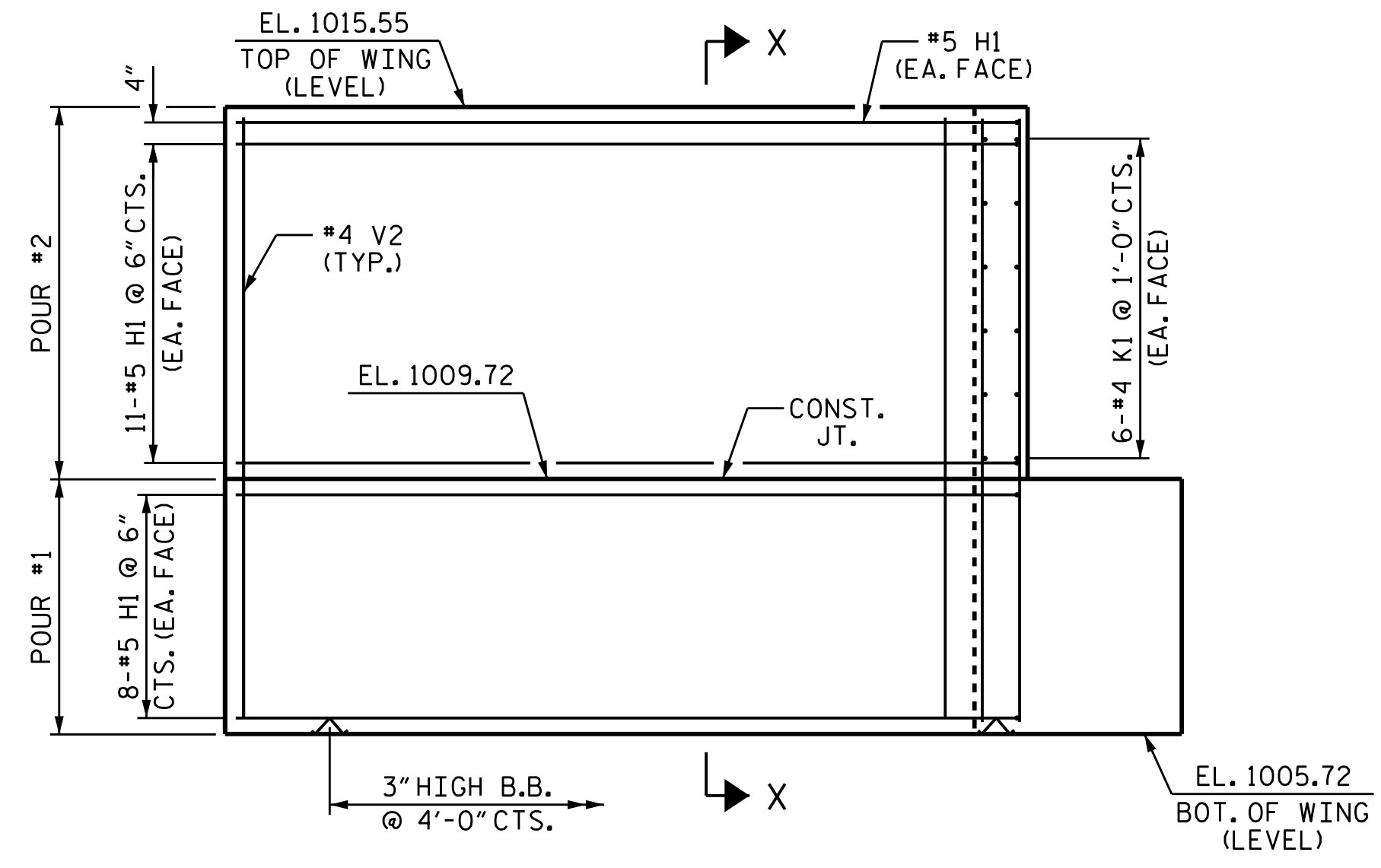
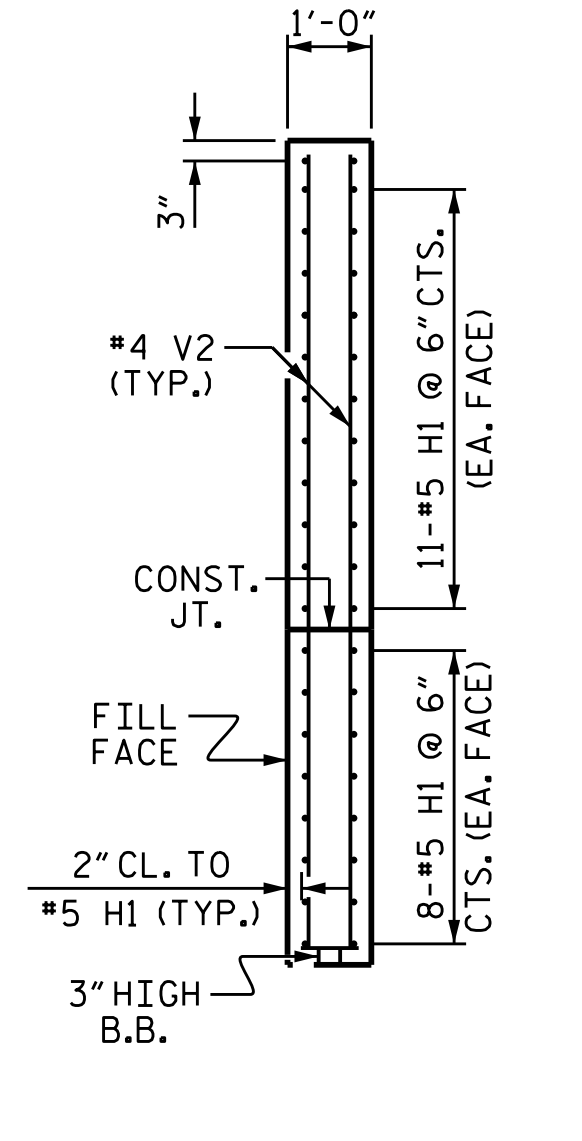
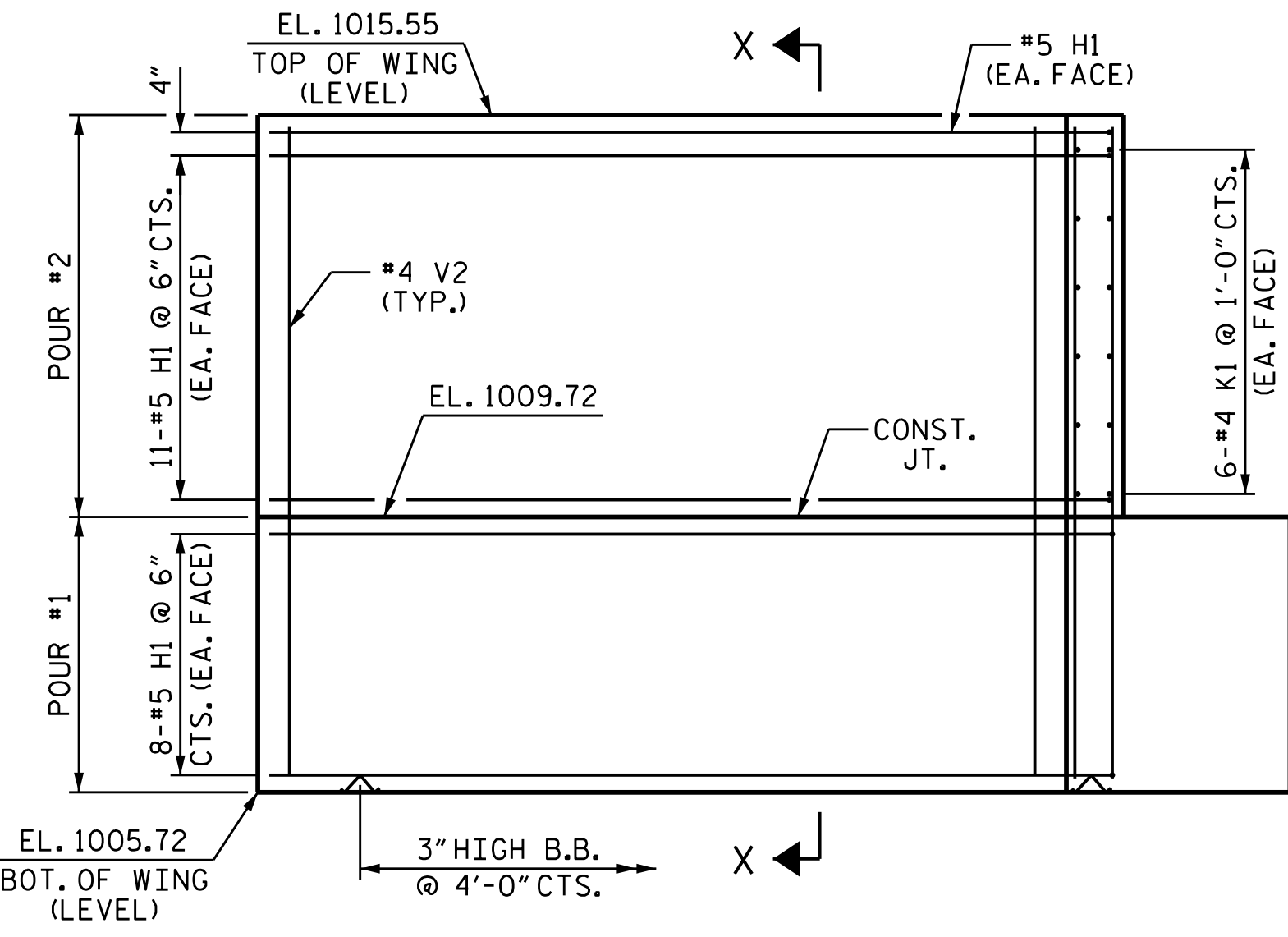
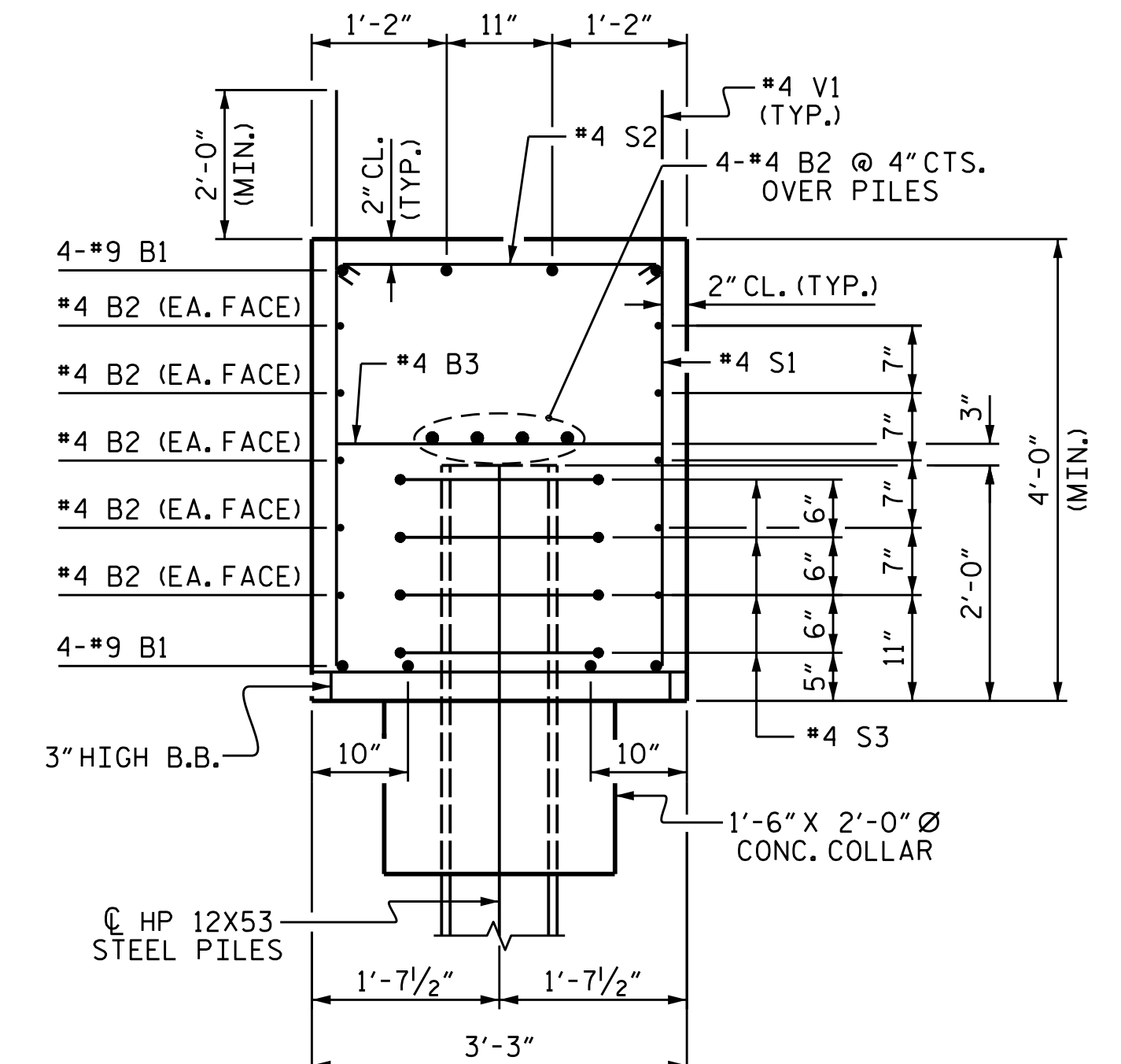
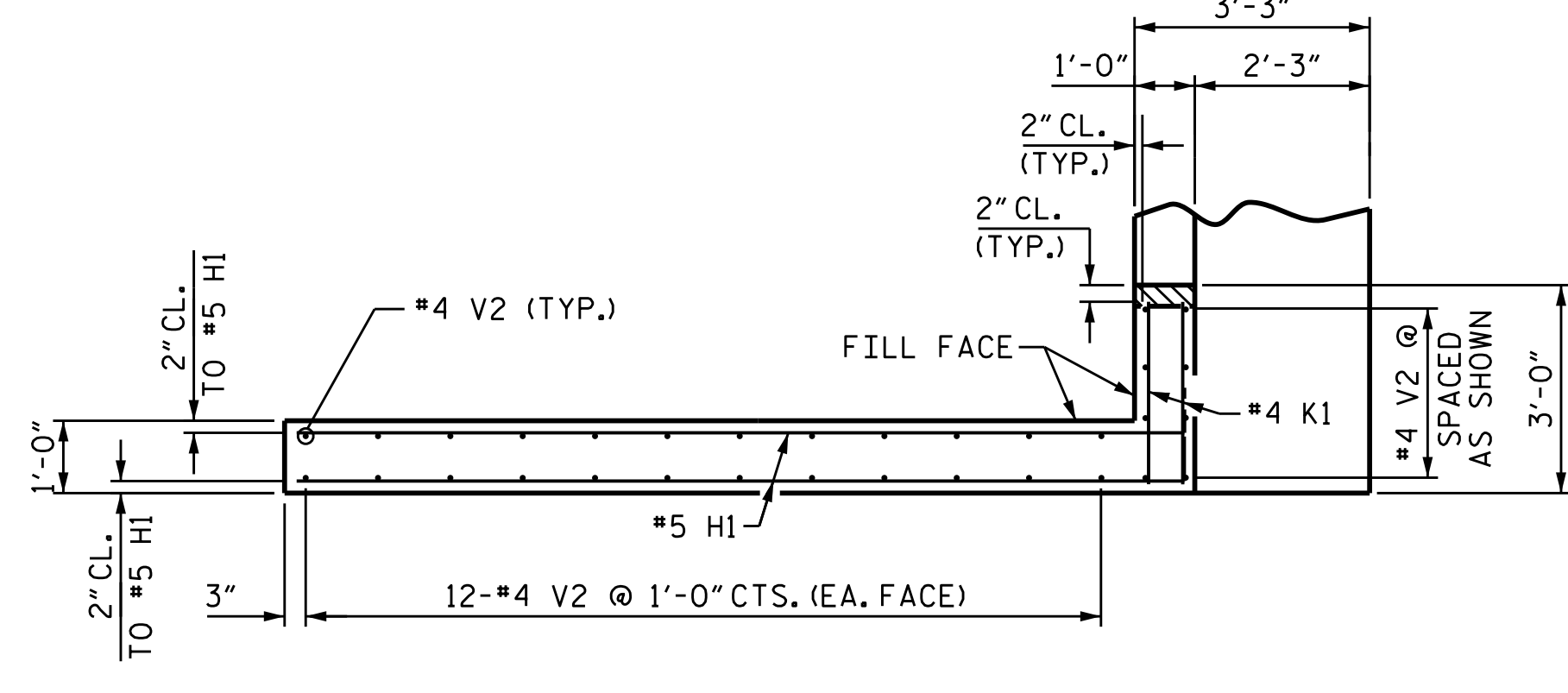
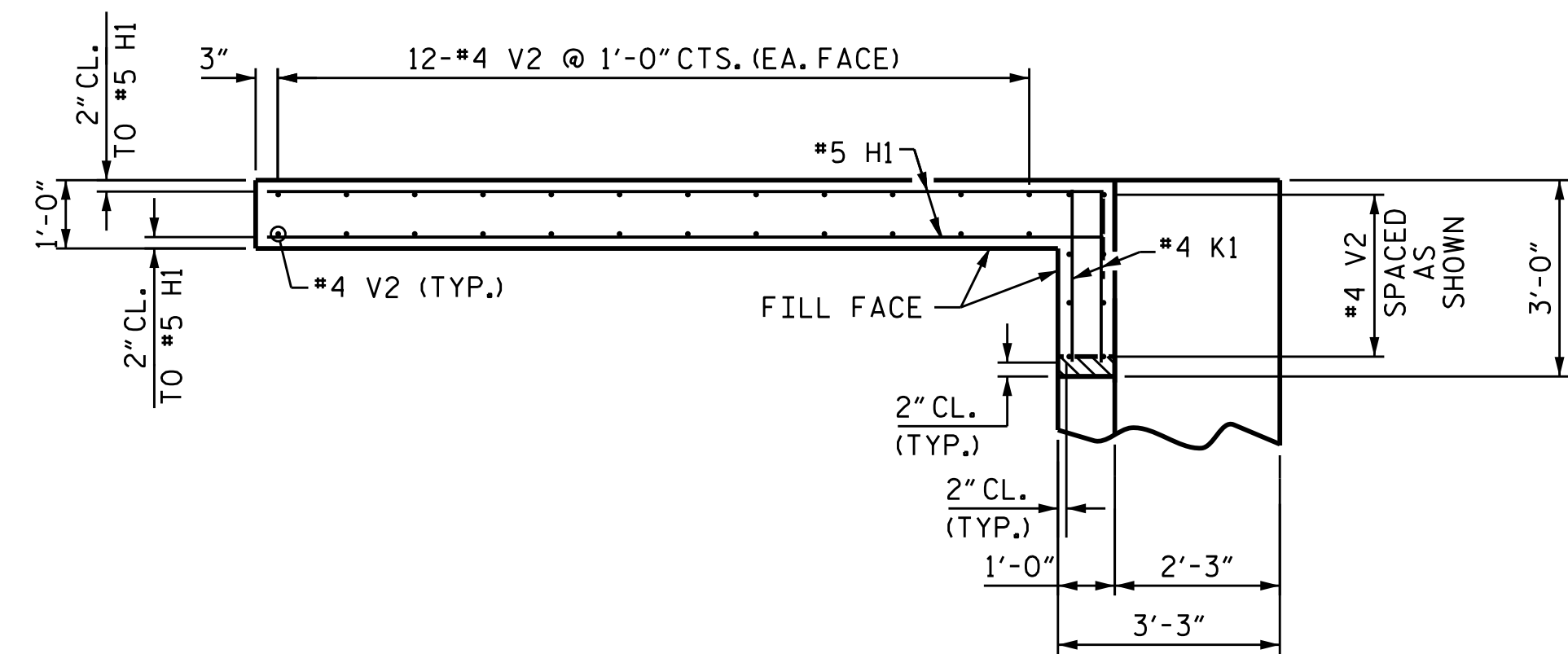
BAGGED STONE SHALL REMAIN IN PLACE UNTIL THE ENGINEER DIRECTS THAT IT BE REMOVED. THE CONTRACTOR SHALL REMOVE AND DISPOSE OF SILT ACCUMULATIONS AT BAGGED STONE WHEN SO DIRECTED BY THE ENGINEER. BAGS SHALL BE REMOVED AND REPLACED WHENEVER THE ENGINEER DETERMINES THAT THEY HAVE DETERIORATED AND LOST THEIR EFFECTIVENESS.

NO SEPARATE PAYMENT WILL BE MADE FOR THIS WORK AND THE ENTIRE COST OF THIS WORK SHALL BE INCLUDED IN THE UNIT CONTRACT PRICE BID FOR THE SEVERAL PAY ITEMS.

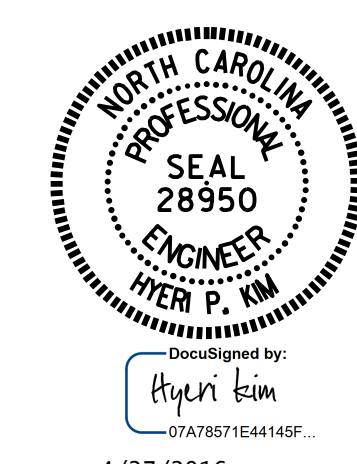
TEMPORARY DRAINAGE AT END BENT

BAR TYPES					BILL OF MATERIAL				
					END BENT 1				
BAR	NO.	SIZE	TYPE	LENGTH	WEIGHT				
B1	8	#9	1	51'-3"	1394				
B2	28	#4	STR	25'-8"	480				
B3	13	#4	STR	2'-11"	25				
B4	4	#4	STR	2'-1"	6				
H1	80	#5	2	13'-1"	1092				
K1	24	#4	STR	2'-8"	43				
S1	45	#4	4	10'-11"	328				
S2	45	#4	3	3'-8"	110				
S3	24	#4	6	6'-6"	104				
U1	2	#4	5	5'-11"	8				
V1	78	#4	STR	6'-3"	326				
V2	64	#4	STR	9'-6"	406				
REINFORCING STEEL					LBS.	4,322			
CLASS A CONCRETE									
POUR #1 - CAP, LOWER WINGS, & CONC. COLLARS					C.Y.	28.9			
POUR #2 - UPPER PART OF WINGS					C.Y.	6.1			
TOTAL					C.Y.	35.0			
HP 12X53 STEEL PILES									
NO. 6					LIN. FT.	180			

ALL BAR DIMENSIONS ARE OUT TO OUT.



PROJECT NO. B-4766
 IREDELL COUNTY
 STATION: 16+28.00 -L-
 SHEET 2 OF 2



STATE OF NORTH CAROLINA DEPARTMENT OF TRANSPORTATION				
SUBSTRUCTURE INTEGRAL END BENT 1				
REVISIONS				
NO.	BY:	DATE:	NO.	BY:
1			3	
2			4	

DOCUMENT NOT CONSIDERED FINAL UNLESS ALL SIGNATURES COMPLETED

SHEET NO. S-19				
NO.	BY:	DATE:	NO.	BY:
1			3	
2			4	

DRAWN BY: J. K. BOWLES DATE: 10/14/15
 CHECKED BY: N. D'AIUTO DATE: 11/16/15
 DESIGN ENGINEER OF RECORD: H. P. KIM DATE: 1/26/16