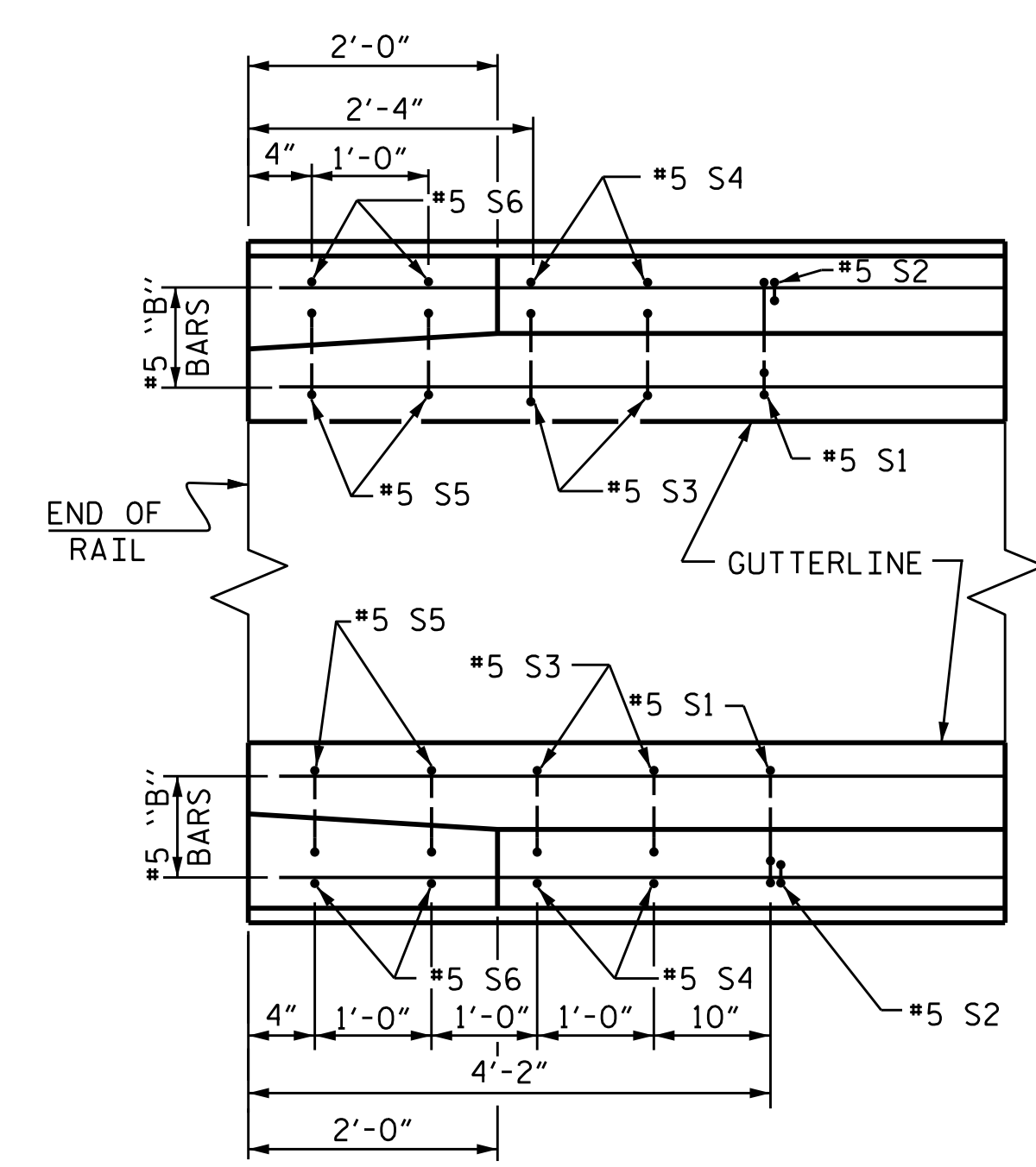
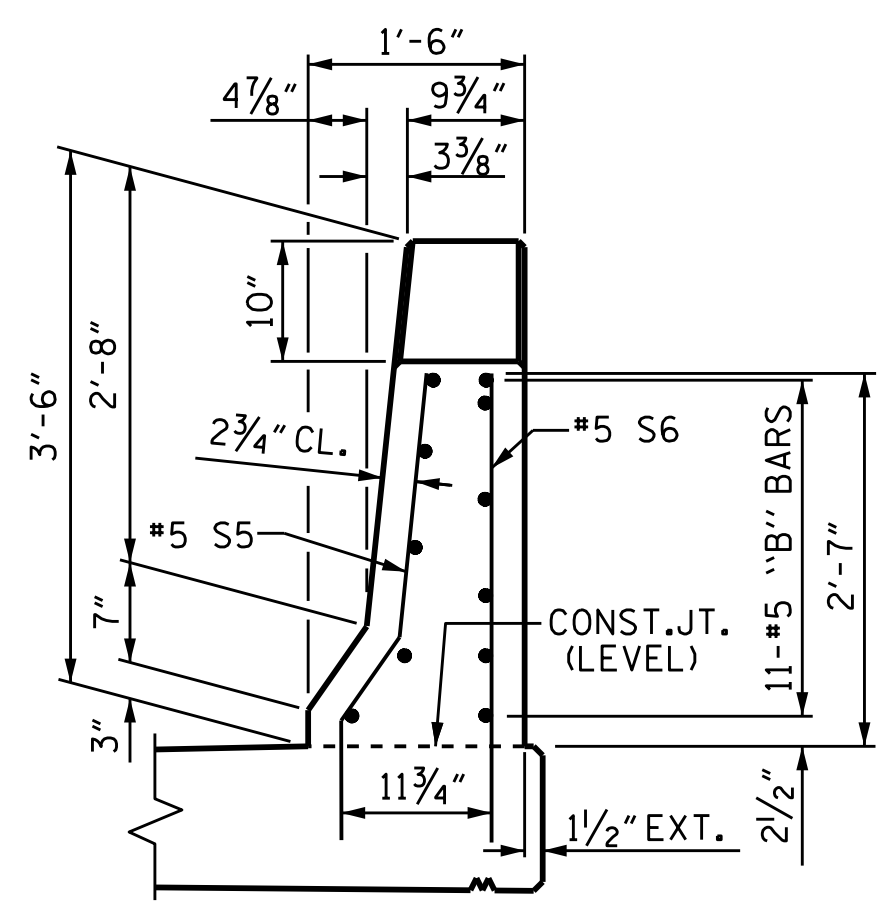


PLAN

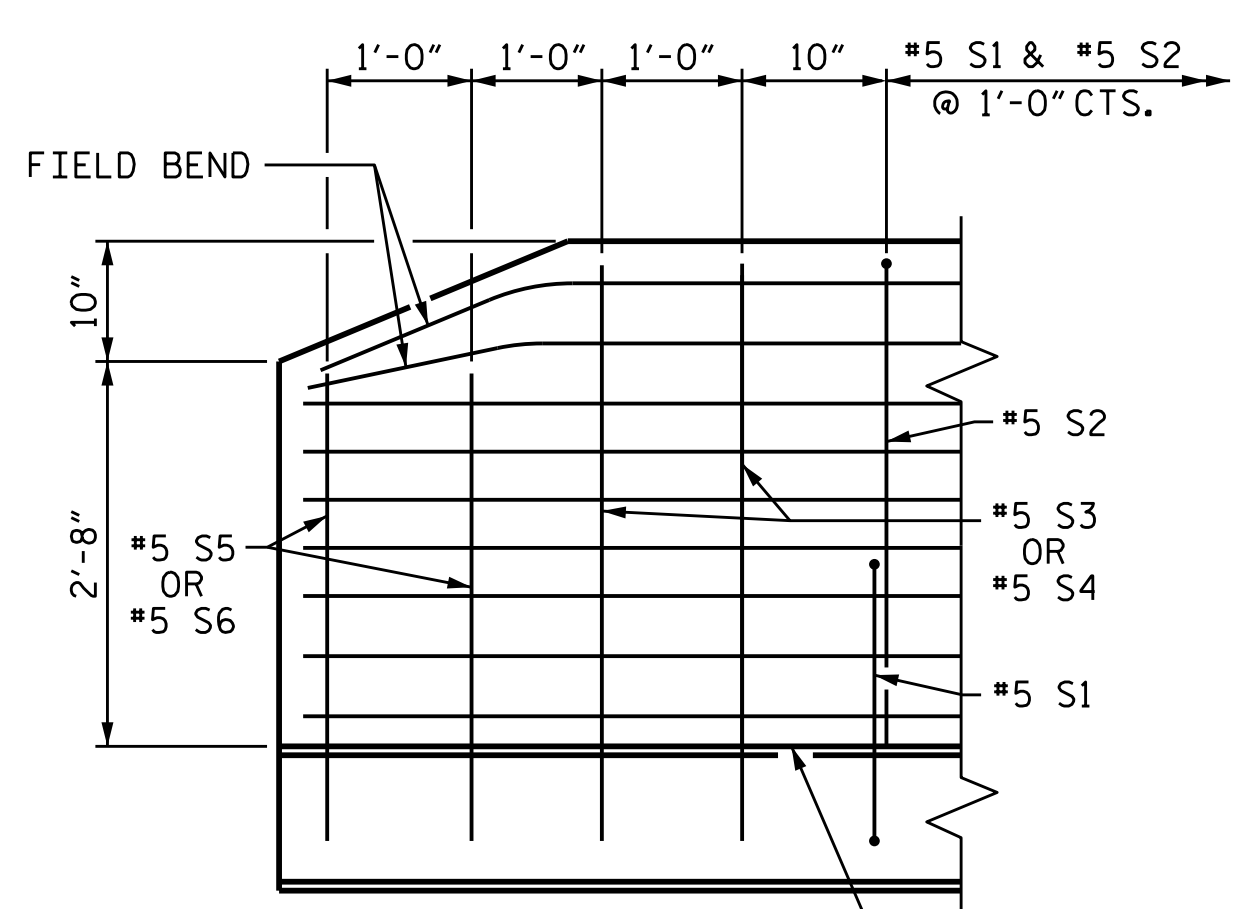


PLAN



END VIEW

END OF RAIL DETAILS



SIDE VIEW

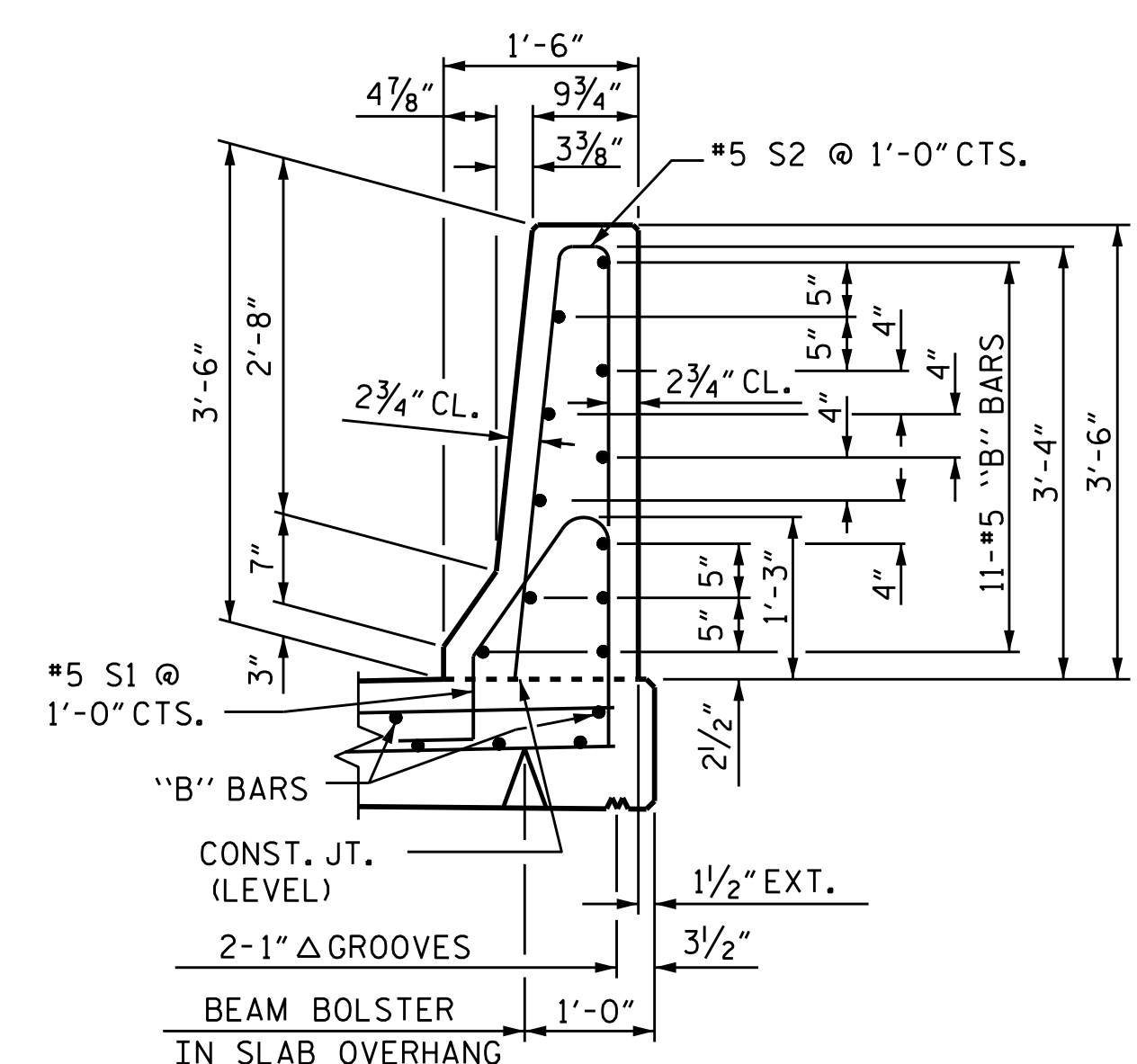
NOTES

THE BARRIER RAIL IN A CONTINUOUS UNIT SHALL NOT BE CAST UNTIL ALL SLAB CONCRETE IN THAT SPAN HAS BEEN CAST AND HAS REACHED A MINIMUM COMPRESSIVE STRENGTH OF 3,000 PSI.

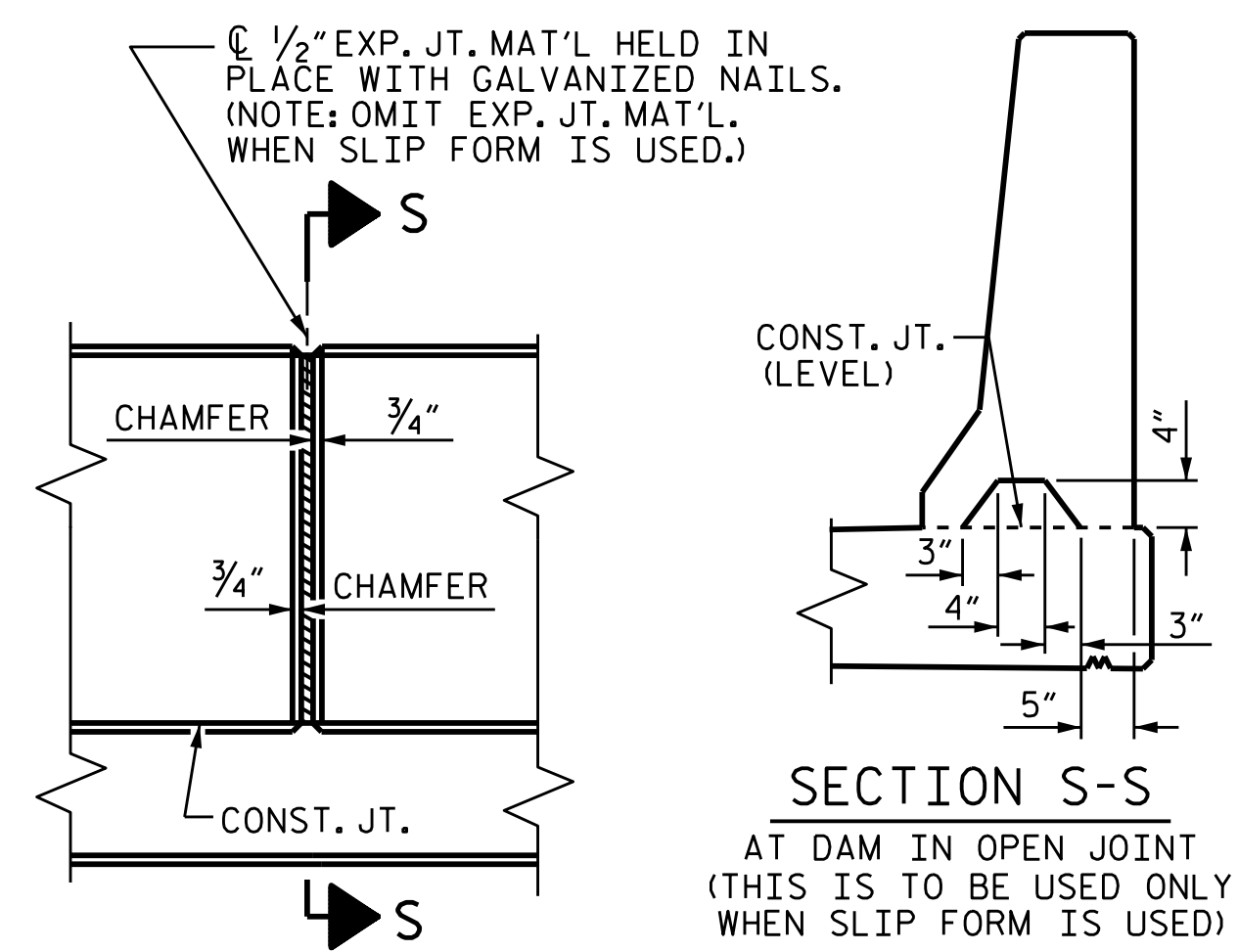
ALL REINFORCING STEEL IN BARRIER RAILS SHALL BE EPOXY COATED.

THE #5 S3, S4, S5 AND S6 BARS SHALL BE INSTALLED, USING AN ADHESIVE ANCHORING SYSTEM, AFTER SAWING THE JOINT. THE YIELD LOAD FOR THE #5 S3, S4, S5 AND S6 BARS IS 18.6 KIPS. FIELD TESTING FOR THE ADHESIVE BONDING SYSTEM IS NOT REQUIRED.

GROOVED CONTRACTION JOINTS, 1/2" IN DEPTH, SHALL BE TOOLED IN ALL EXPOSED FACES OF THE BARRIER RAIL AND IN ACCORDANCE WITH ARTICLE 825-10(B) OF THE STANDARD SPECIFICATIONS. THE CONTRACTION JOINT SHALL BE LOCATED AT EACH THIRD POINT BETWEEN BARRIER RAIL EXPANSION JOINTS. ONLY ONE CONTRACTION JOINT IS REQUIRED AT MIDPOINT OF BARRIER RAIL SEGMENTS LESS THAN 20 FEET IN LENGTH AND NO CONTRACTION JOINTS ARE REQUIRED FOR THOSE SEGMENTS LESS THAN 10 FEET IN LENGTH.

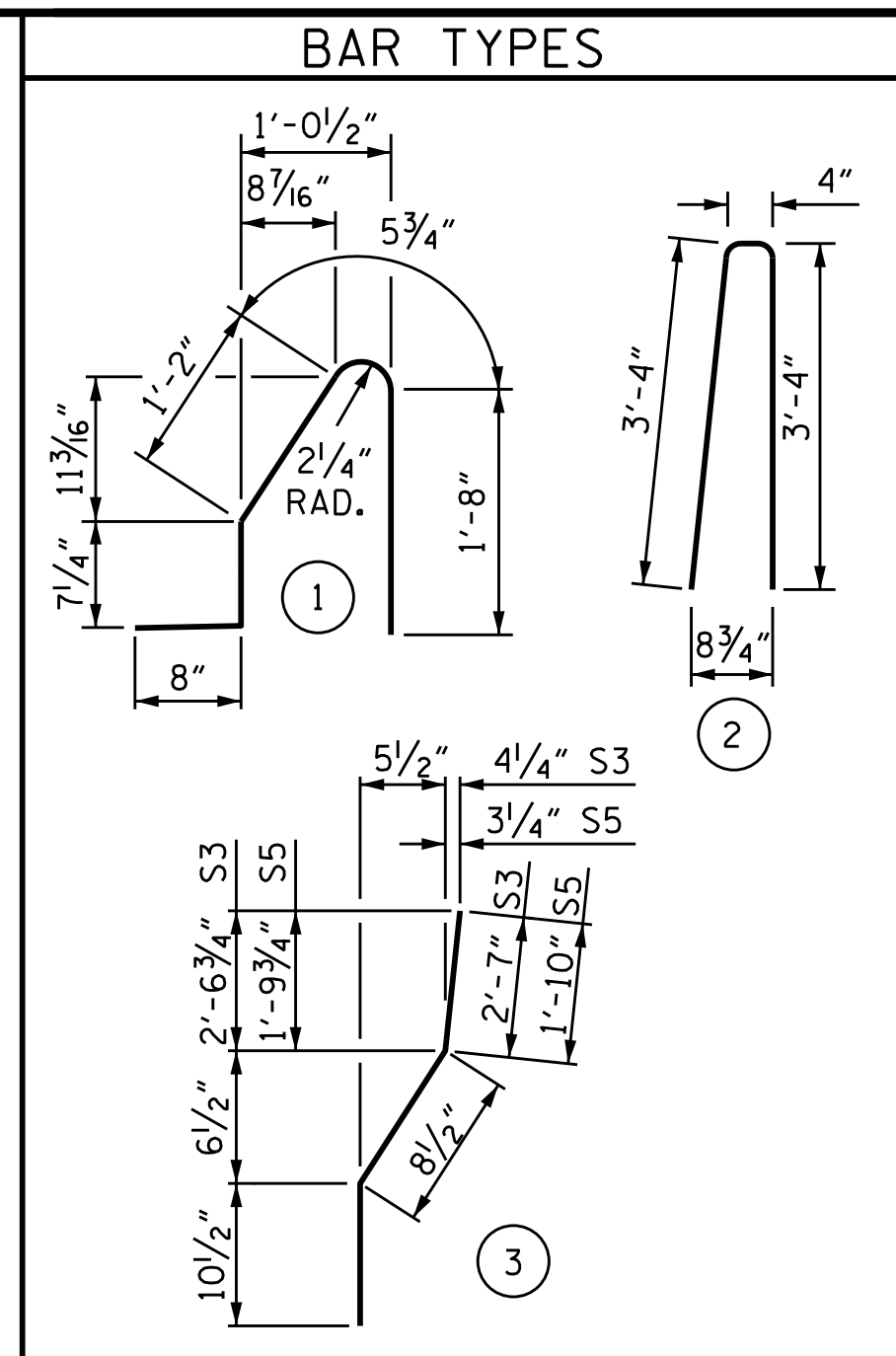


SECTION THROUGH RAIL



ELEVATION AT EXPANSION JOINTS

BARRIER RAIL DETAILS

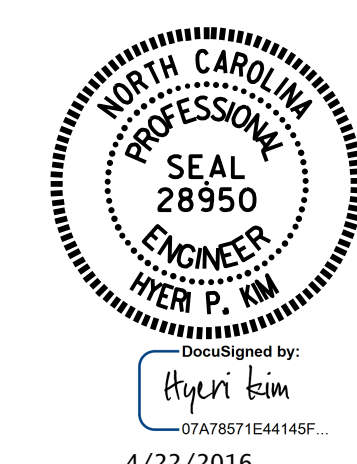


ALL BAR DIMENSIONS ARE OUT TO OUT.

BILL OF MATERIAL FOR CONCRETE BARRIER RAIL ONLY

BAR NO.	SIZE	TYPE	LENGTH	WEIGHT
* B1	110	#5	STR 26'-0"	2983
* B2	22	#5	STR 15'-11"	365
* S1	282	#5	1 4'-7"	1348
* S2	282	#5	2 7'-0"	2059
* S3	8	#5	3 4'-2"	35
* S4	8	#5	STR 4'-0"	33
* S5	8	#5	3 3'-5"	29
* S6	8	#5	STR 3'-3"	27
* EPOXY COATED REINFORCING STEEL				LBS. 6,879
CLASS AA CONCRETE				C.Y. 40.2
CONCRETE BARRIER RAIL				LIN. FT. 296.7

PROJECT NO. B-4766
 IREDELL COUNTY
 STATION: 16+28.00 -L-



STATE OF NORTH CAROLINA
 DEPARTMENT OF TRANSPORTATION
 RALEIGH
 STANDARD
 CONCRETE
 BARRIER RAIL

ASSEMBLED BY : J. K. BOWLES DATE : 9/8/15
 CHECKED BY : N. D'AIUTO DATE : 9/16/15
 DRAWN BY : ARB 5/87 REV. 10/1/11 MAA/GM
 CHECKED BY : SJD 9/87 REV. 7/12 MAA/GM
 REV. 6/13 MAA/GM

DOCUMENT NOT CONSIDERED FINAL UNLESS ALL SIGNATURES COMPLETED

REVISIONS						SHEET NO.
NO.	BY:	DATE:	NO.	BY:	DATE:	S-15
1			3			TOTAL SHEETS
2			4			26