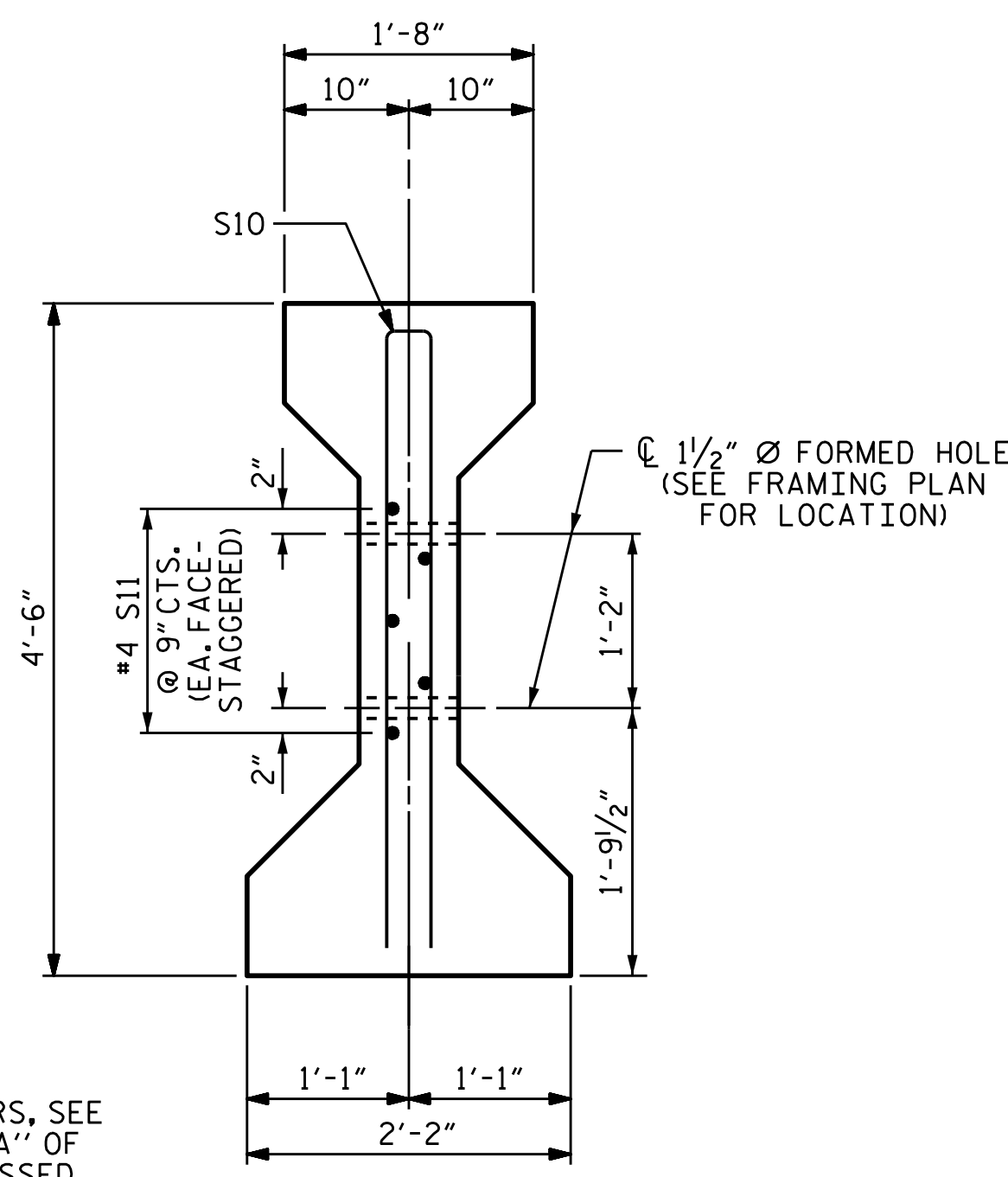


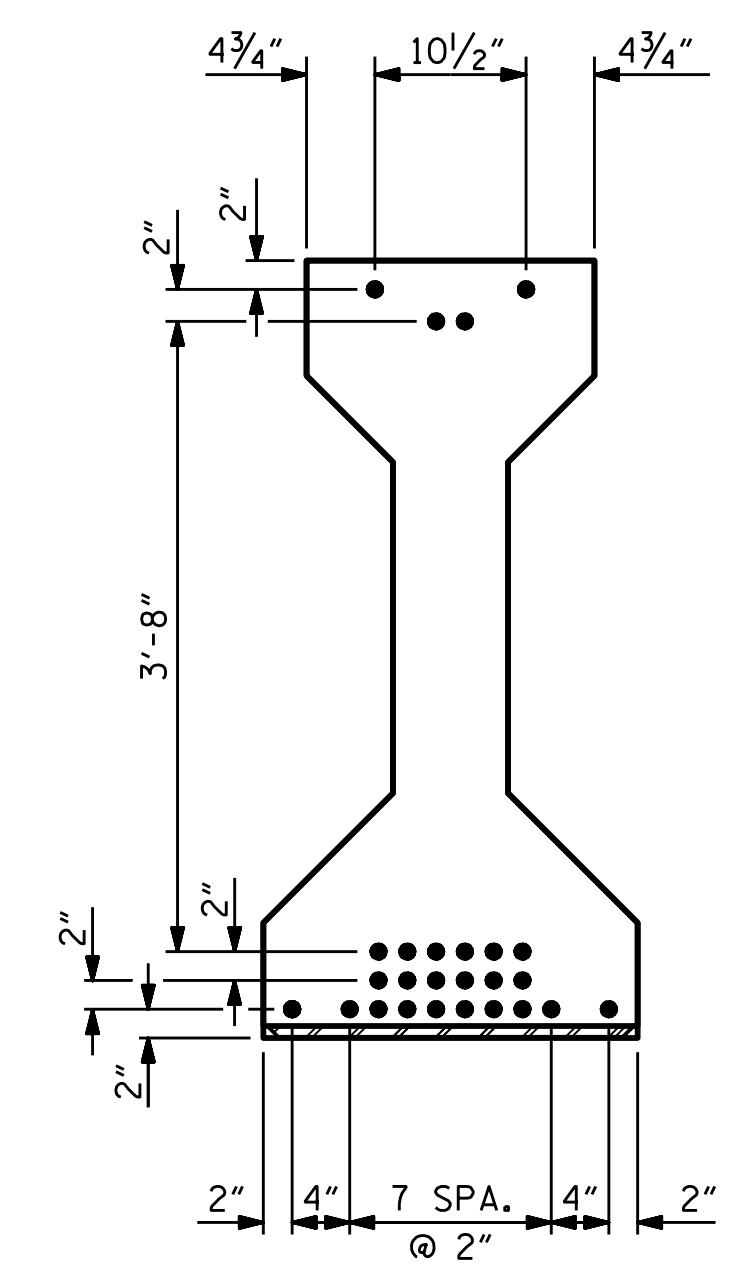
SECTION A-A

SECTION B-B

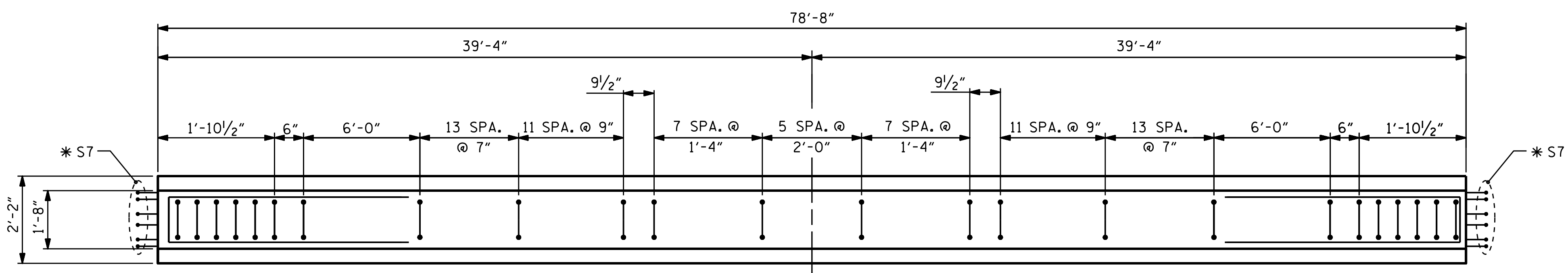


SECTION C-C
(S1 BARS NOT SHOWN)

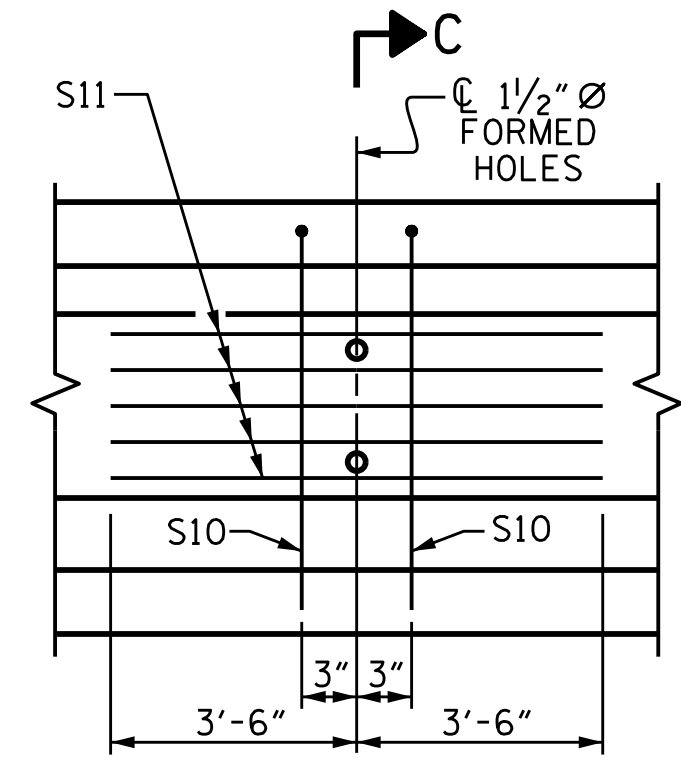
* FOR S7 BARS, SEE
DETAIL "A" OF
PRESTRESSED
CONCRETE GIRDER
CONTINUOUS FOR LIVE
LOAD DETAILS SHEET



0.6" Ø LOW RELAXATION STRAND LAYOUT

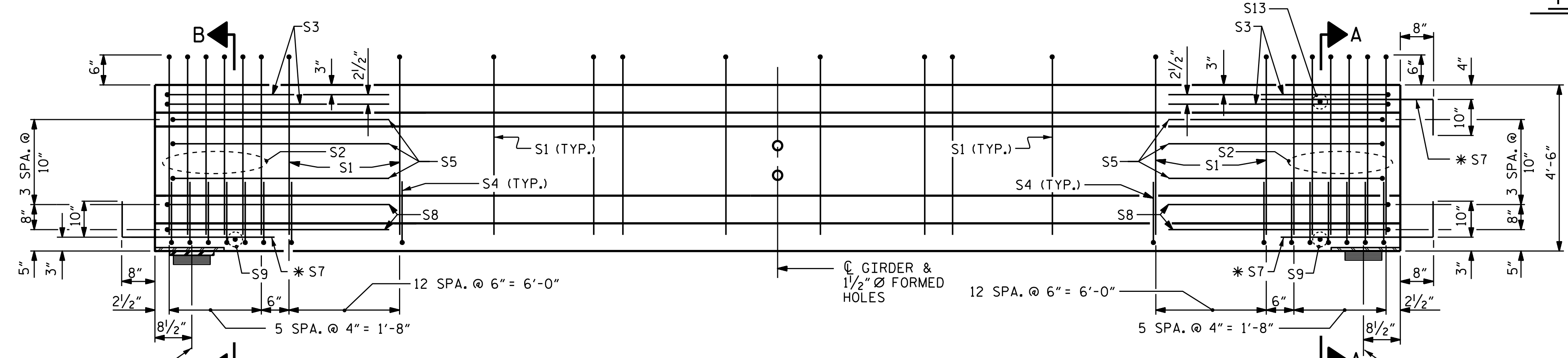


PLAN OF GIRDER



PARTIAL ELEVATION

SHOWING INTERMEDIATE DIAPHRAGM
REINFORCING STEEL FOR GIRDER B1
THROUGH B5.



ELEVATION OF GIRDER

(SEE PARTIAL ELEVATION FOR ADDITIONAL "S" BARS)

0.6" Ø L. R. GRADE 270 STRANDS

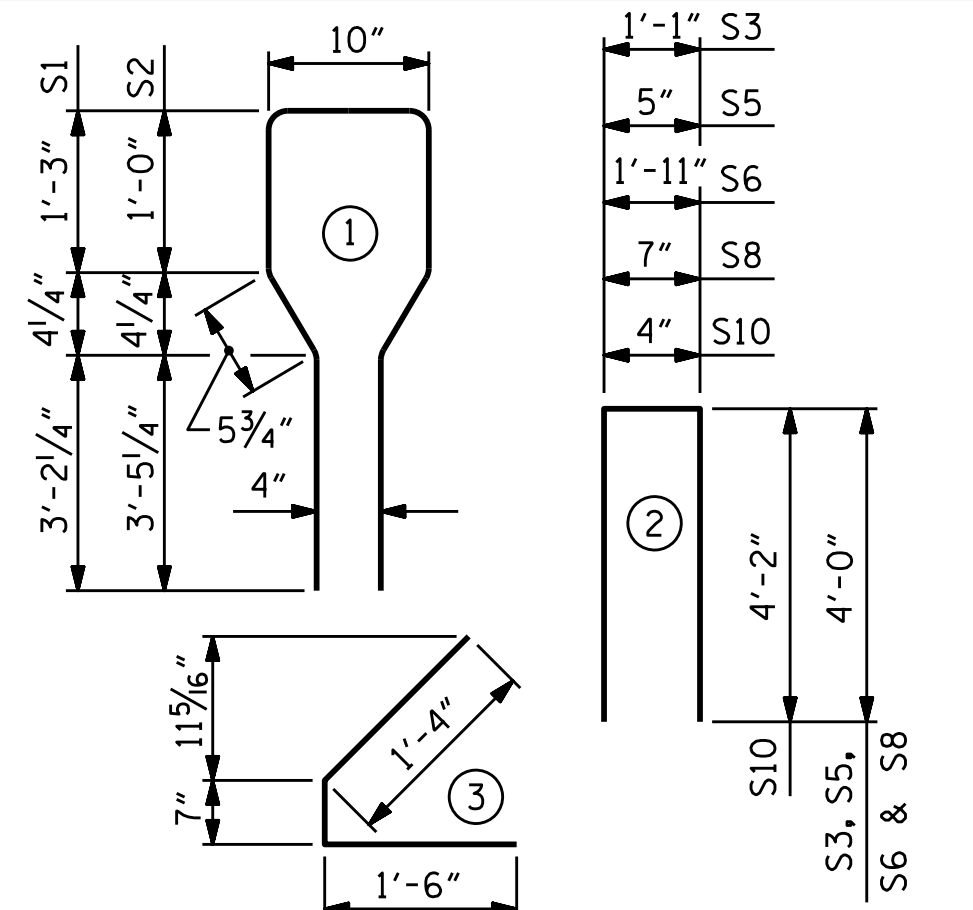
AREA (SQUARE INCHES)	ULTIMATE STRENGTH (LBS. PER STRAND)	APPLIED PRESTRESS (LBS. PER STRAND)
0.217	58,600	43,950

REINFORCING STEEL FOR ONE GIRDER

BAR	NUMBER	SIZE	TYPE	LENGTH	WEIGHT
S1	94	#4	1	10'-8"	670
S2	12	#6	1	10'-8"	192
S3	4	#4	2	9'-1"	24
S4	76	#4	3	3'-5"	173
S5	6	#4	2	8'-5"	34
*S7	16	#5	STR	3'-8"	61
S8	4	#4	2	8'-7"	23
S9	2	#3	STR	1'-10"	1
S10	2	#5	2	8'-8"	18
S11	5	#4	STR	7'-0"	23
S13	1	#3	STR	1'-4"	1

* NOTE: S7 BARS SHALL BE BENT BEFORE SHIPMENT. HEAT BENDING SHALL NOT BE ALLOWED.

BAR TYPES

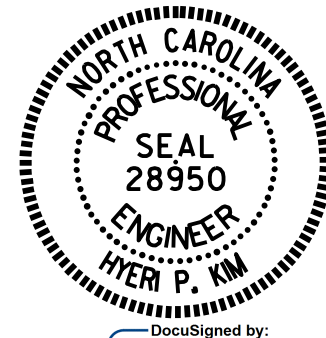


ALL BAR DIMENSIONS ARE OUT TO OUT.

QUANTITIES FOR ONE GIRDER

	REINFORCING STEEL	6,000 PSI CONCRETE	0.6" Ø L. R. STRANDS
	LB.	C.Y.	NO.
	1,220	16.0	26
GIRDERS REQUIRED			
NUMBER	LENGTH	TOTAL LENGTH	
5	78'-8"	393'-4"	

PROJECT NO. B-4766
IREDELL COUNTY
 STATION: 16+28.00 -L-
 SHEET 2 OF 2



STATE OF NORTH CAROLINA
 DEPARTMENT OF TRANSPORTATION
 RALEIGH
 STANDARD
 AASHTO TYPE IV
 PRESTRESSED CONCRETE GIRDER
 CONTINUOUS FOR LIVE LOAD
 SPAN B

ASSEMBLED BY : J. K. BOWLES	DATE : 9/2/15
CHECKED BY : N. D'AIUTO	DATE : 9/15/15
DRAWN BY : ELR 8/91	REV. 5/1/06R TLA/GM
CHECKED BY : GRP 8/91	REV. 10/1/11 MAA/GM
	REV. 1/15 MAA/TMG
DESIGN ENGINEER OF RECORD: H. P. KIM DATE : 1/26/16	

DOCUMENT NOT CONSIDERED
 FINAL UNLESS ALL
 SIGNATURES COMPLETED

REVISIONS				SHEET NO.
NO.	BY:	DATE:	NO.	DATE:
1			3	
2			4	

TOTAL SHEETS: 26