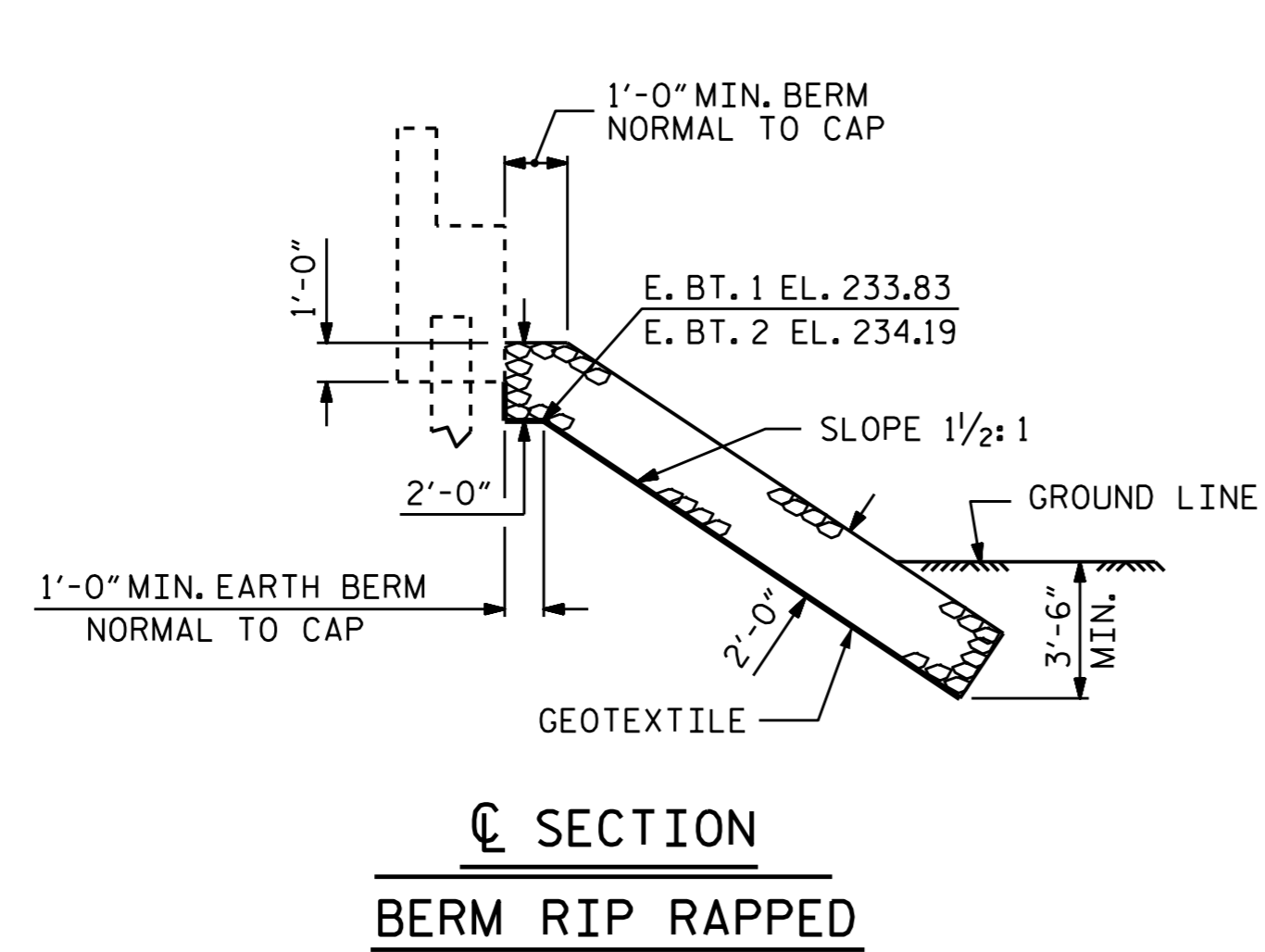
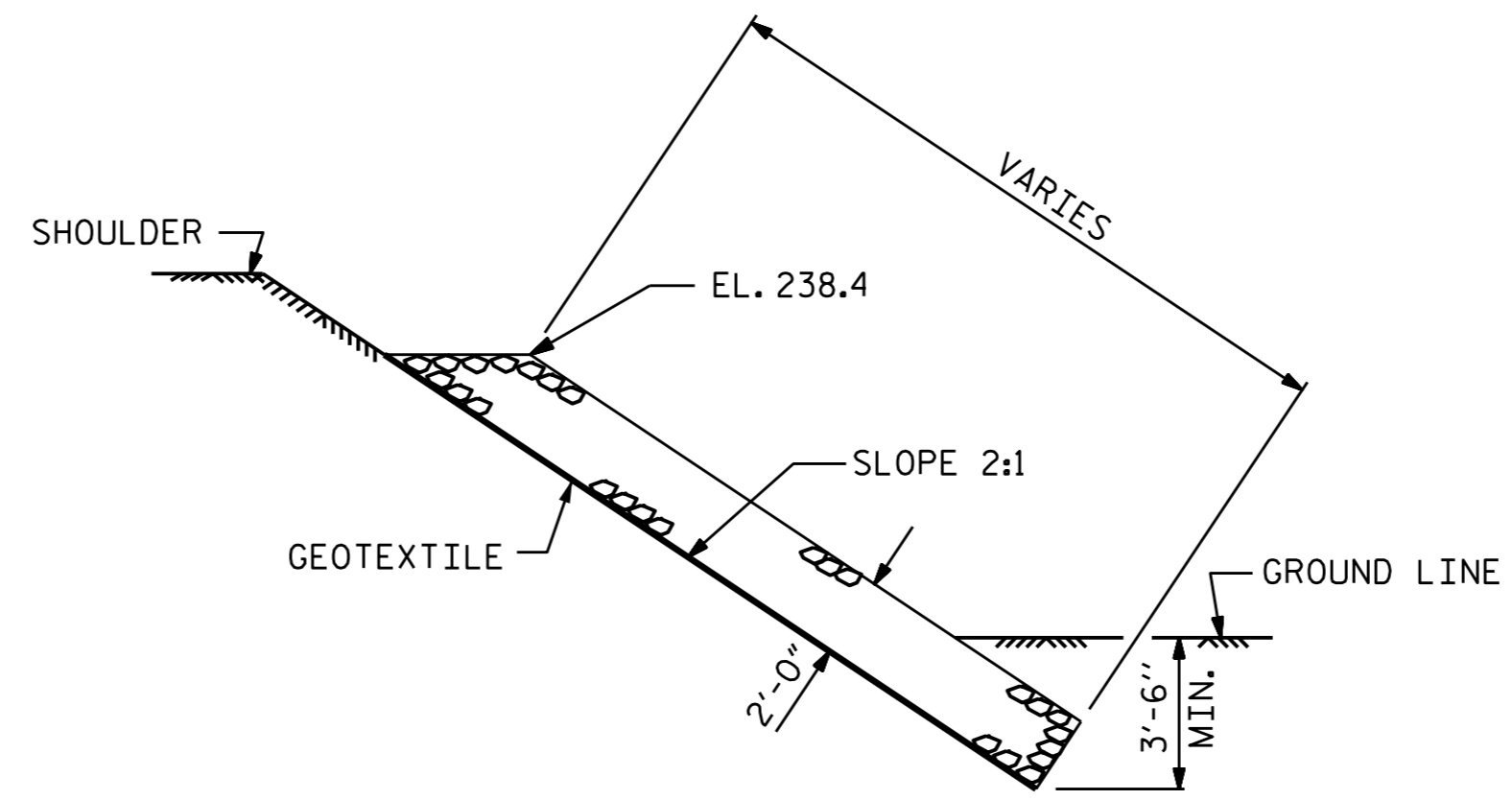


PLAN



SECTION C-C
BERM RIP RAPPED



SECTION C-C

ESTIMATED QUANTITIES		
BRIDGE @ STA. 16+74.50 -L-	RIP RAP CLASS II (TONS)	GEOTEXTILE FOR DRAINAGE (SQ. YARDS)
END BENT 1	145	160
END BENT 2	130	140
TOTAL	275	300

PROJECT NO. B-4967
 SCOTLAND & HOKE COUNTY
 STATION: 16+74.50 -L-



Documented by: *Ting Fang* 5/10/2016
 DOCUMENT NOT CONSIDERED FINAL UNLESS ALL SIGNATURES COMPLETED

STATE OF NORTH CAROLINA DEPARTMENT OF TRANSPORTATION RALEIGH					
STANDARD RIP RAP DETAILS					
REVISIONS					
NO.	BY:	DATE:	NO.	BY:	DATE:
1			3		
2			4		

ASSEMBLED BY : H. B. DESAI	DATE : 12-2-14
CHECKED BY : E. I. OMILE	DATE : 12-16-14
DRAWN BY : REK 1/84	REV. 5/1/06R TLA/GM
CHECKED BY : RDU 1/84	REV. 10/1/11 MAA/GM
	REV. 12/21/11 MAA/GM