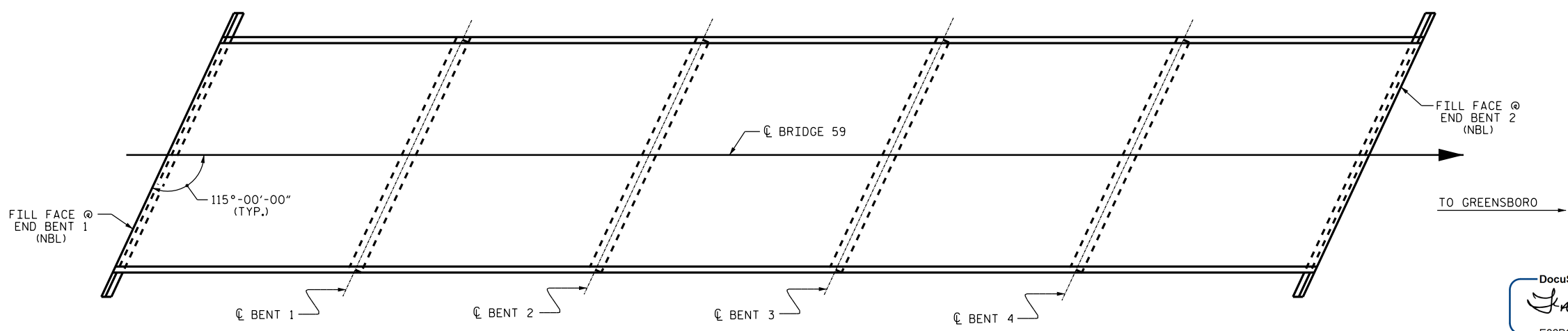
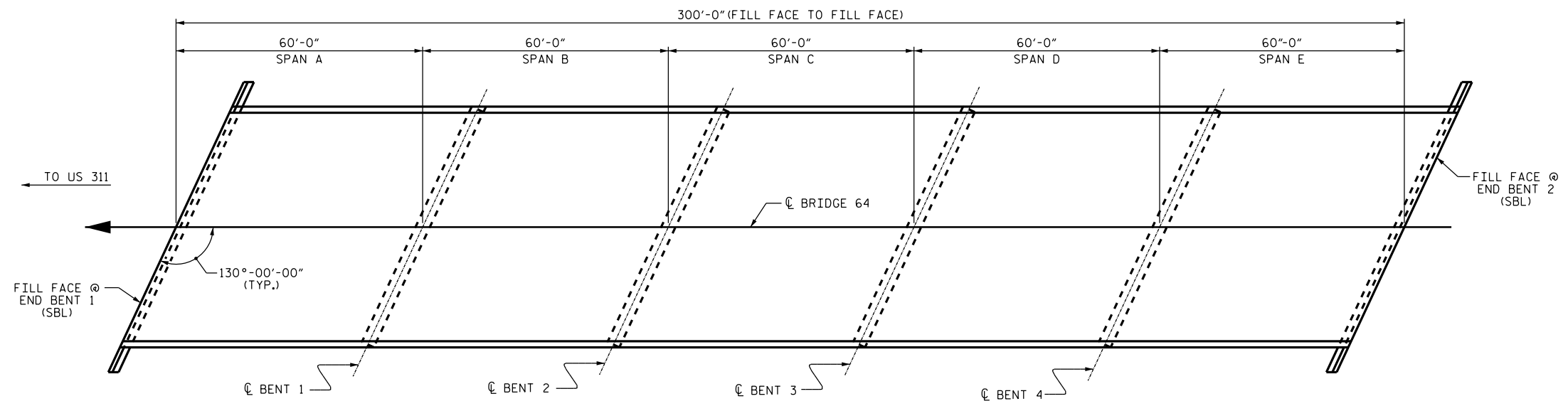


ELEVATION
SECTION ALONG C ROADWAY

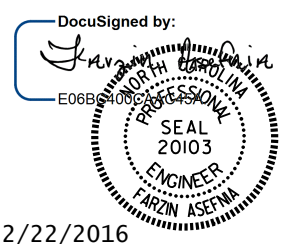


PLAN
NORTH AND SOUTH BOUND LANES

PROJECT NO. I-5821
GUILFORD COUNTY
 BRIDGE NO. 59 & 64

SHEET 1 OF 2

STATE OF NORTH CAROLINA
 DEPARTMENT OF TRANSPORTATION
 RALEIGH
GENERAL DRAWING
 BRIDGE #59 & #64
 ON I-85 OVER
 DEEP RIVER



DRAWN BY : M.K. BEARD DATE : 1/12/16
 CHECKED BY : W. C. SMITH DATE : 1/12/16

| REVISIONS | | | | | | SHEET NO. |
|-----------|-----|-------|-----|-----|-------|--------------|
| NO. | BY: | DATE: | NO. | BY: | DATE: | S-2 |
| 1 | | | 3 | | | TOTAL SHEETS |
| 2 | | | 4 | | | 6 |

19-FEB-2016 13:28
 R:\Structures\DCM\401.007.I5821.SMU.S2.G0.dgn
 fosefnila