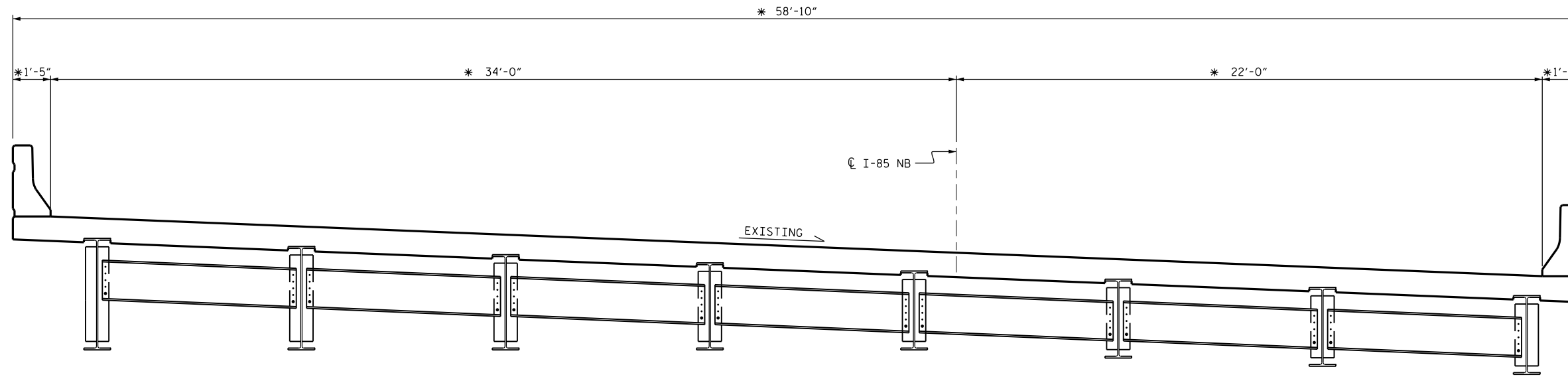


NOTE:

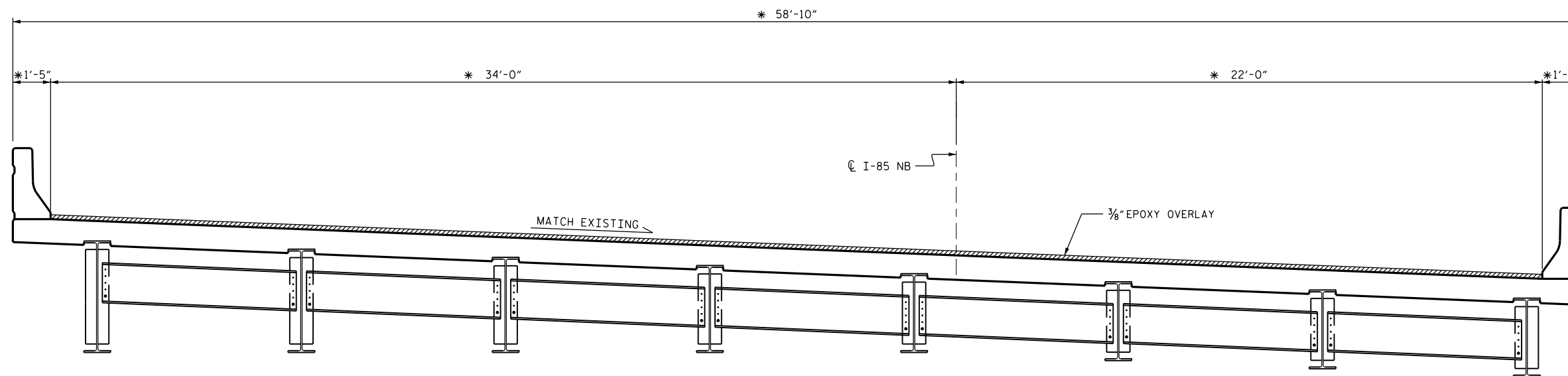
SEE TRAFFIC MANAGEMENT PLANS FOR STAGING OF EPOXY OVERLAY.

ALL DIMENSIONS GIVEN ARE MEASURED RADIALLY UNLESS OTHERWISE NOTED.



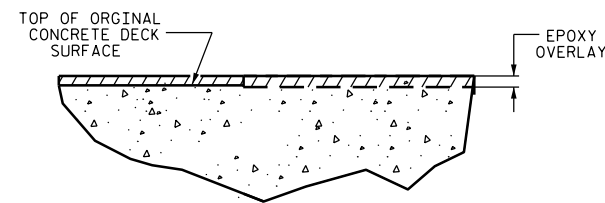
TYPICAL SECTION
(EXISTING)

* RADIAL DIMENSION



TYPICAL SECTION
(PROPOSED)

* RADIAL DIMENSION



DETAIL FOR EPOXY OVERLAY

PROJECT NO. I-5789
GUILFORD COUNTY
 BRIDGE NO. 142

DocuSigned by:

W. Matthew Clarke

1EB20097EAAF437...



3/31/2016

STATE OF NORTH CAROLINA
 DEPARTMENT OF TRANSPORTATION
 RALEIGH
SUPERSTRUCTURE
 TYPICAL SECTION &
 EPOXY OVERLAY DETAIL

DRAWN BY : S. T. SANDOR DATE : 01/2016
 CHECKED BY : W. M. CLARKE DATE : 02/2016

31-MAR-2016 06:29
 R:\Structures\DGN\403.035.15789.SMU.S16.TS.dgn
 ssandor

DOCUMENT NOT CONSIDERED
 FINAL UNLESS ALL
 SIGNATURES COMPLETED

REVISIONS						SHEET NO.
NO.	BY:	DATE:	NO.	BY:	DATE:	
1			3			S-16
2			4			TOTAL SHEETS 37