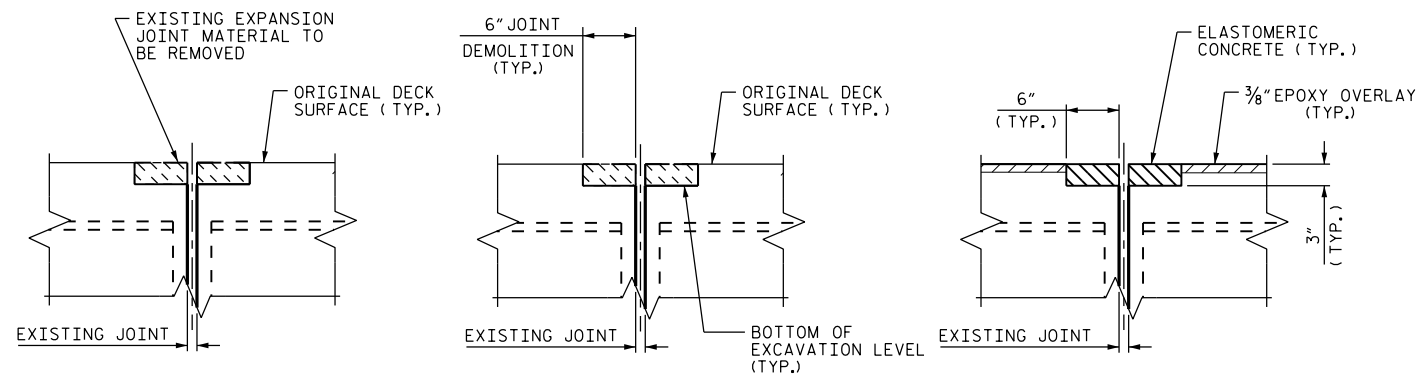
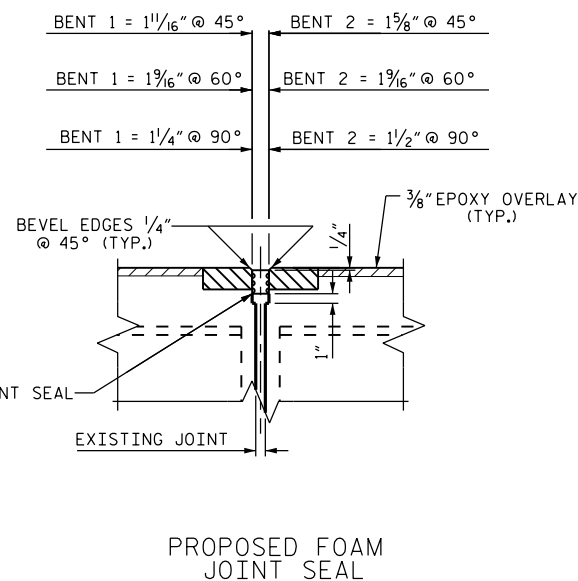


SECTION A-A

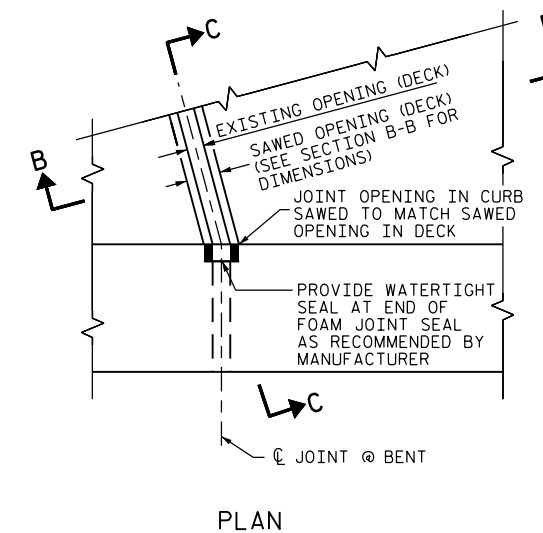


SECTION B-B

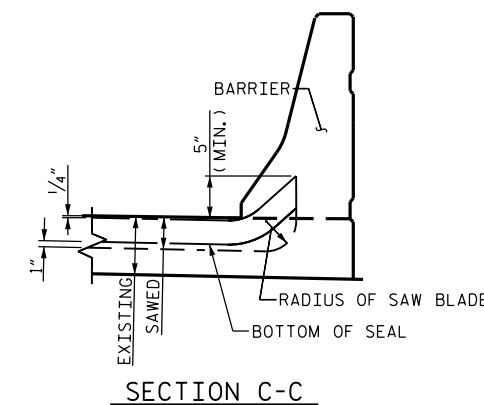


PROPOSED FOAM JOINT SEAL

**NOTES:**  
 FOR FOAM JOINT SEALS SEE SPECIAL PROVISIONS.  
 THE INSTALLED FOAM JOINT SEAL SHALL BE WATER TIGHT.  
 NOMINAL UNCOMPRESSED SEAL WIDTH OF FOAM JOINT SEAL SHALL BE 2".  
 THE CONTRACTOR WILL NOT BE PERMITTED TO FORM THE JOINTS IN LIEU OF SAWING THE JOINT.  
 FOR POURABLE JOINT SEALS, SEE SPECIAL PROVISIONS.



PLAN



SECTION C-C

JOINT SEAL DETAILS AT BENT

IF THE EMBEDDED PORTION OF THE EXISTING PLASTIC WATERSTOP IS EXPOSED DURING REMOVAL OF UNSOUND CONCRETE OR IF UNSOUND CONCRETE IS REMOVED WITHIN 2" OF THE WATERSTOP, THE ENTIRE WATERSTOP SHALL BE REMOVED

REMOVAL OF CONCRETE AT THE EXISTING JOINT SHALL RESULT IN THE BOTTOM OF THE EXCAVATION BEING REASONABLY FLAT AND LEVEL, TO PROVIDE SUFFICIENT SUBSTRATE FOR PLACEMENT AND SUPPORT OF ELASTOMERIC OR REPAIR CONCRETE.

ELASTOMERIC CONCRETE (CU. FT.)	
BENT 1	15.5
BENT 2	15.5
TOTAL	31.0

PROJECT NO. I-5789  
GUILFORD COUNTY  
 BRIDGE NO. 111

DocuSigned by:  
*W. Matthew Clarke*  
 1EB20097EAAF437...



3/31/2016

STATE OF NORTH CAROLINA  
 DEPARTMENT OF TRANSPORTATION  
 RALEIGH

JOINT DETAILS

DRAWN BY : J.R. HOWELL DATE : 02/2016  
 CHECKED BY : W.M. CLARKE DATE : 02/2016

REVISIONS						SHEET NO.
NO.	BY:	DATE:	NO.	BY:	DATE:	
1			3			S-13
2			4			TOTAL SHEETS 37