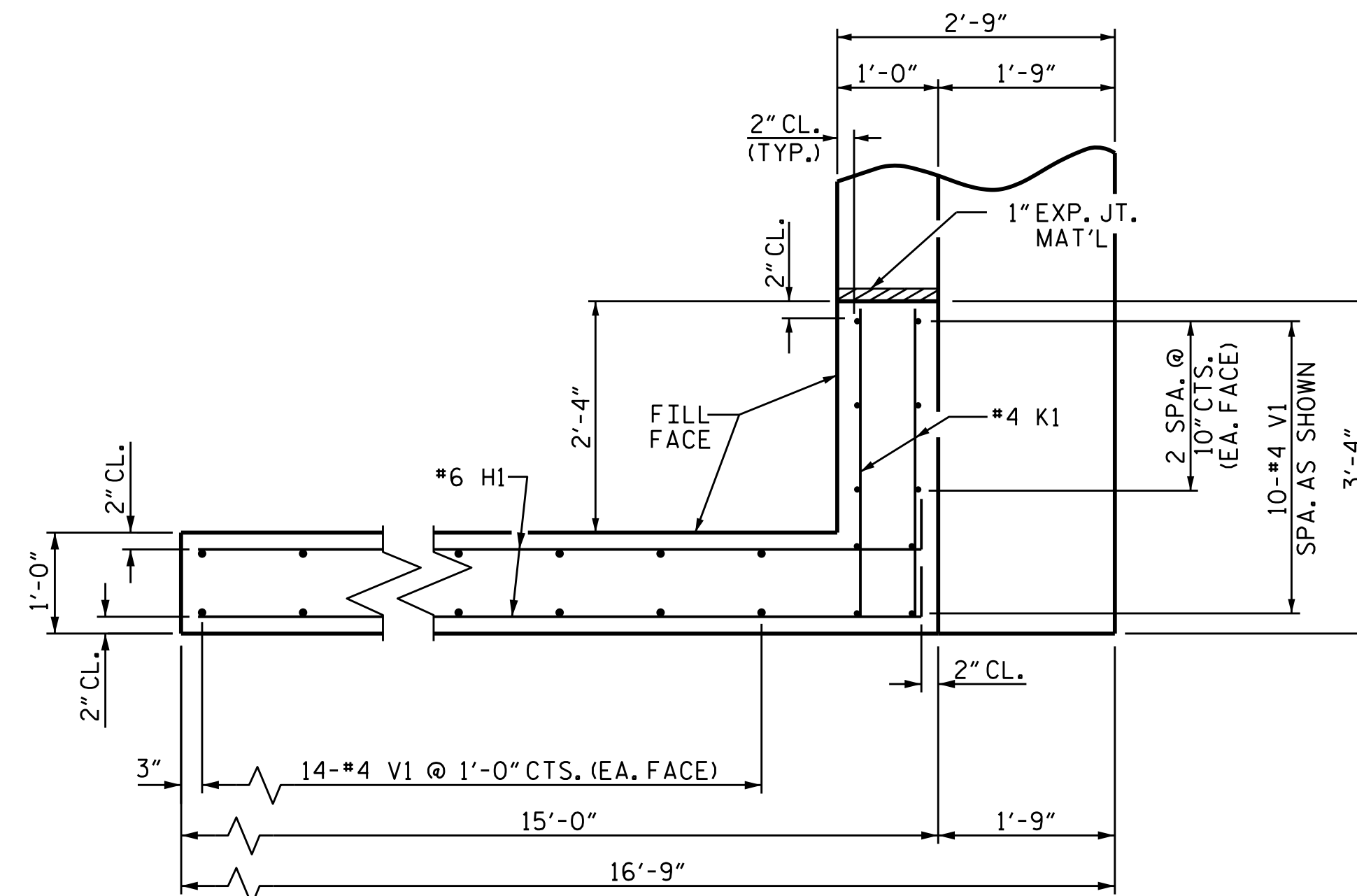
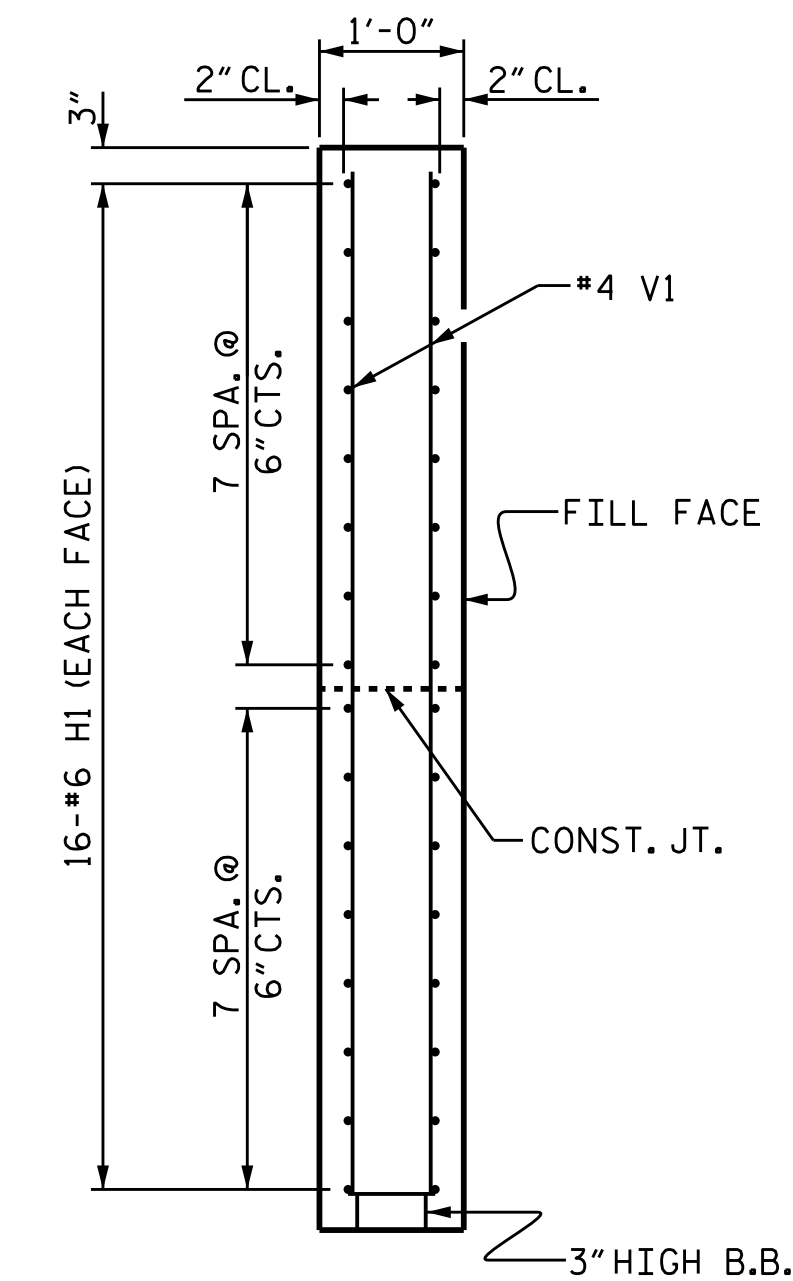


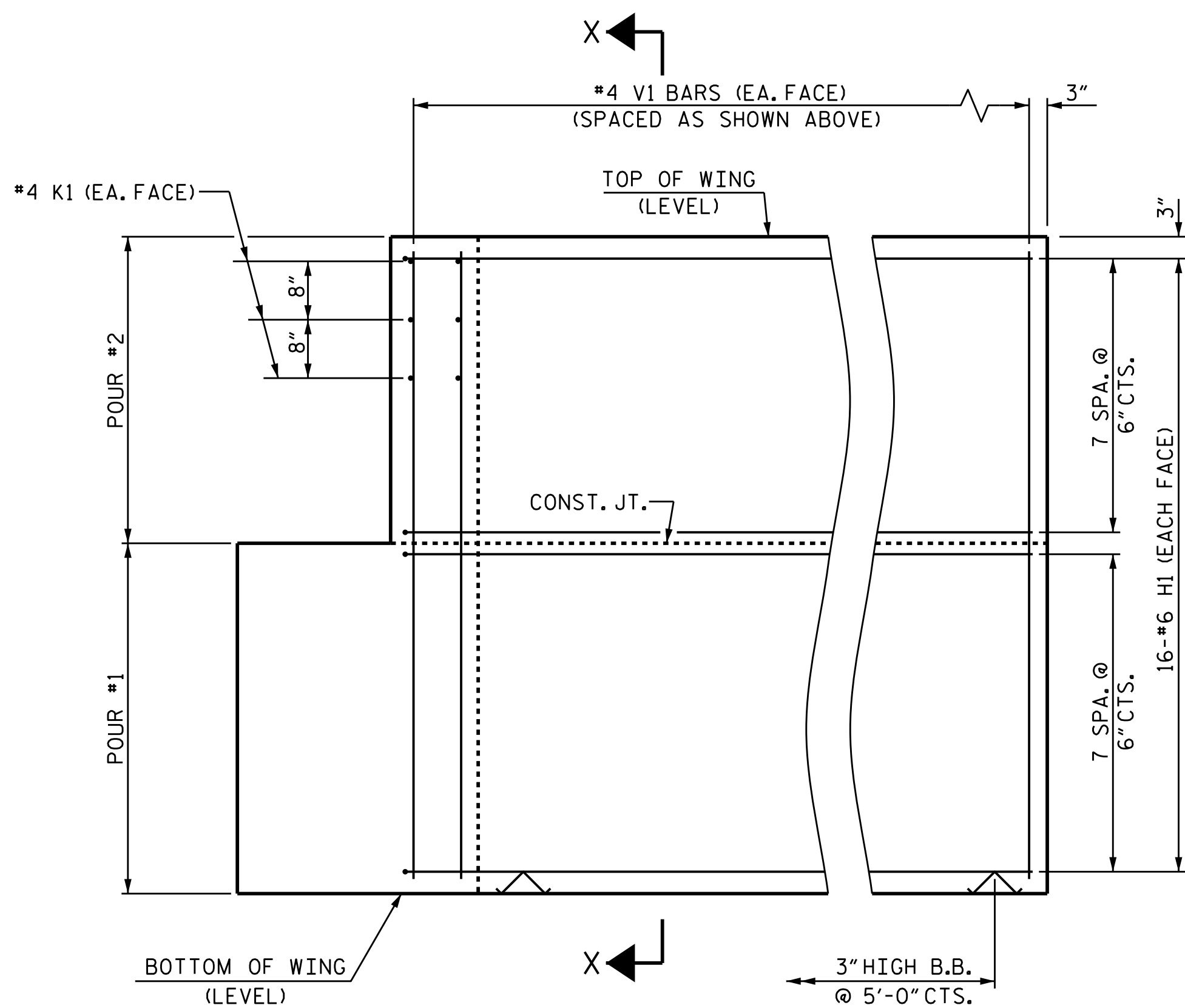
PLAN OF WING (W1)



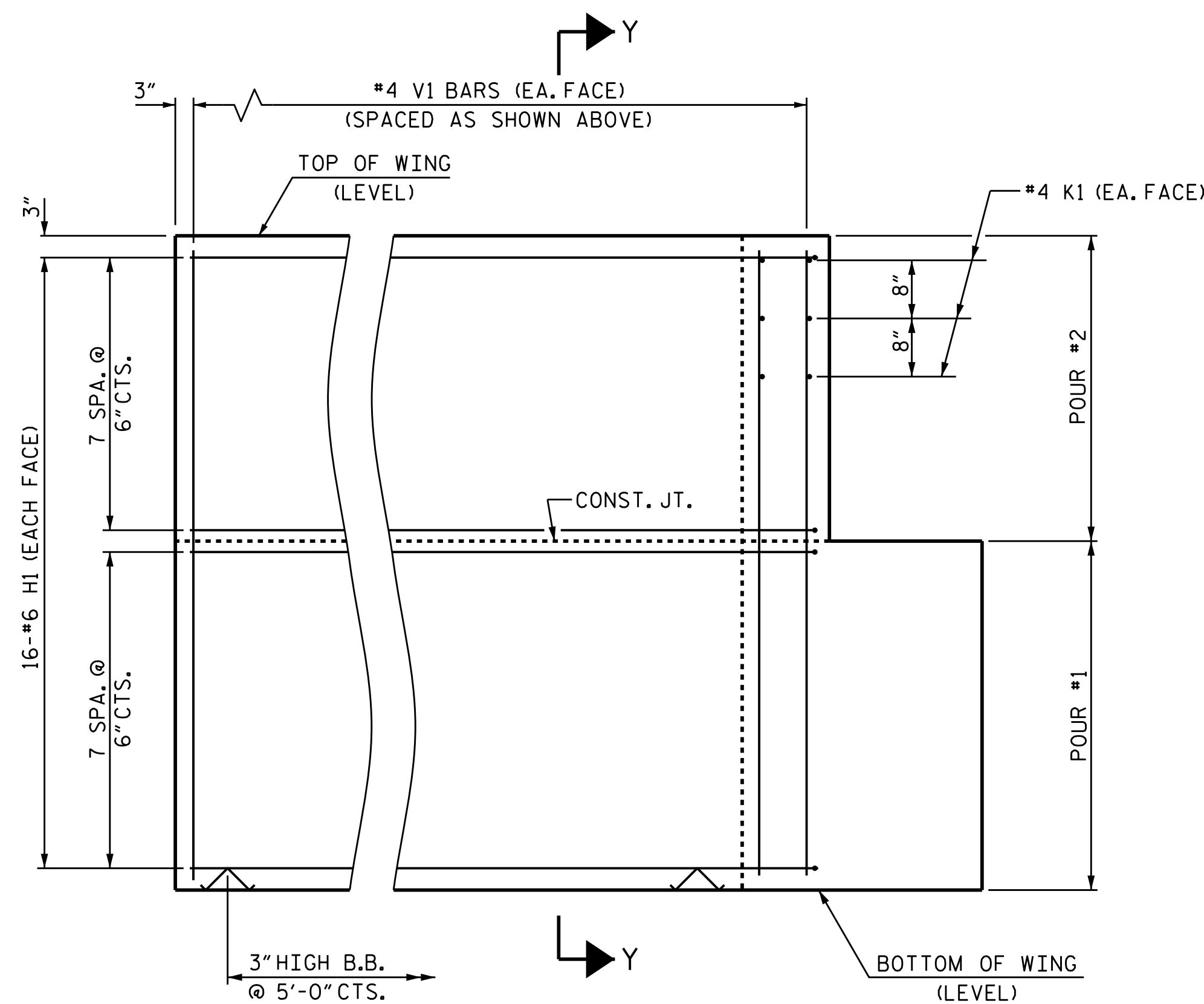
PLAN OF WING (W2)



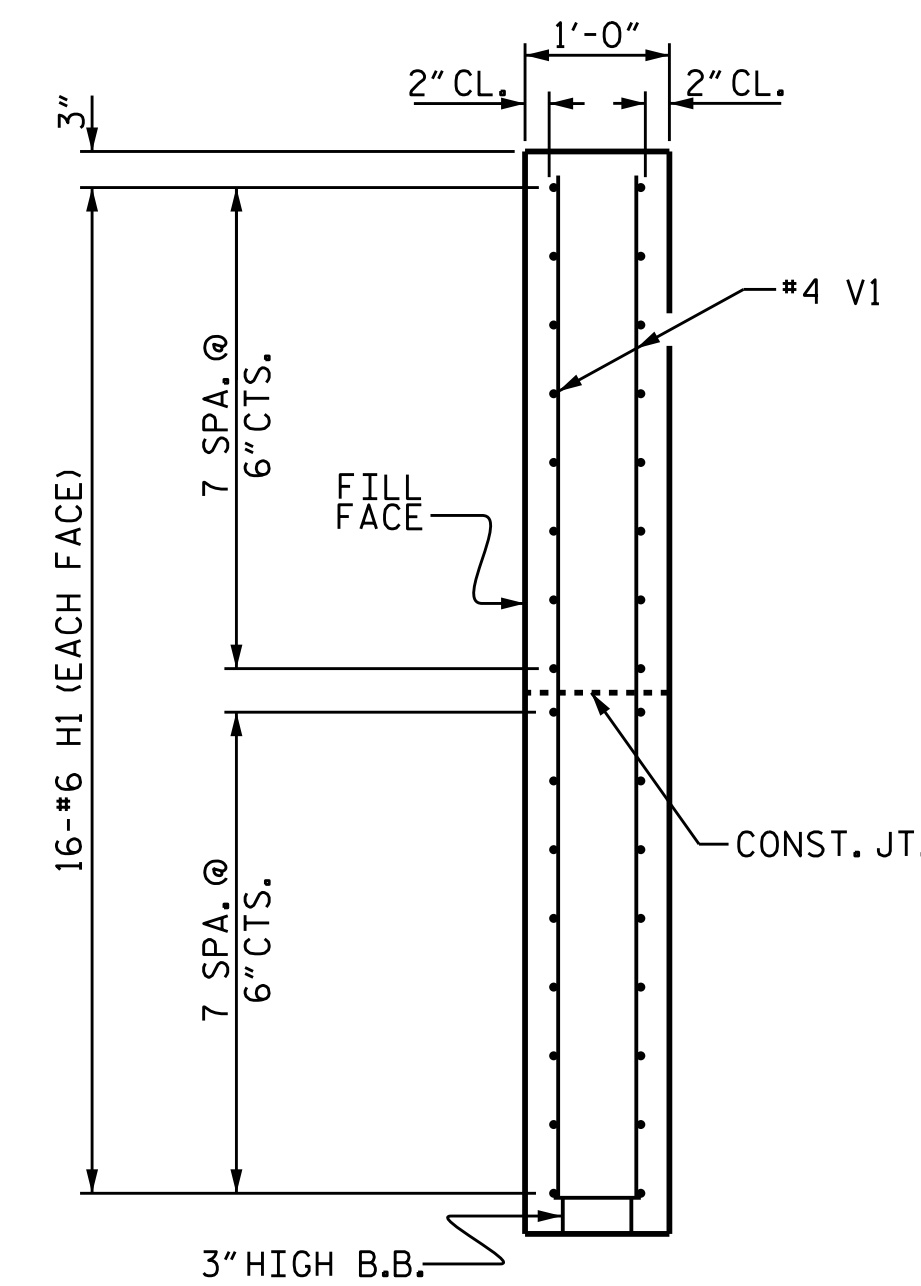
SECTION X-X



ELEVATION OF WING (W1)



ELEVATION OF WING (W2)



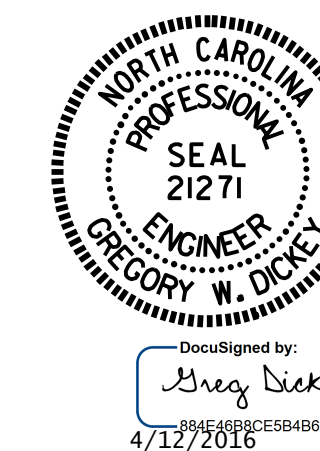
SECTION Y-Y

PROJECT NO. B-4961

GUILFORD COUNTY

STATION: 17+07.00 -L-

SHEET 3 OF 4



STATE OF NORTH CAROLINA
DEPARTMENT OF TRANSPORTATION
RALEIGH

SUBSTRUCTURE
END BENT
WING DETAILS

ASSEMBLED BY : REZA KOUCHEKI DATE : 9/10/15
CHECKED BY : K.P.SEDAI DATE : 10/5/15
DRAWN BY : WJH 12/11 REV. 4/15 MAA/TMG
CHECKED BY : AAC 12/11

DOCUMENT NOT CONSIDERED
FINAL UNLESS ALL
SIGNATURES COMPLETED

REVISIONS						SHEET NO. S-16
NO.	BY:	DATE:	NO.	BY:	DATE:	
1			3			TOTAL SHEETS 19
2			4			