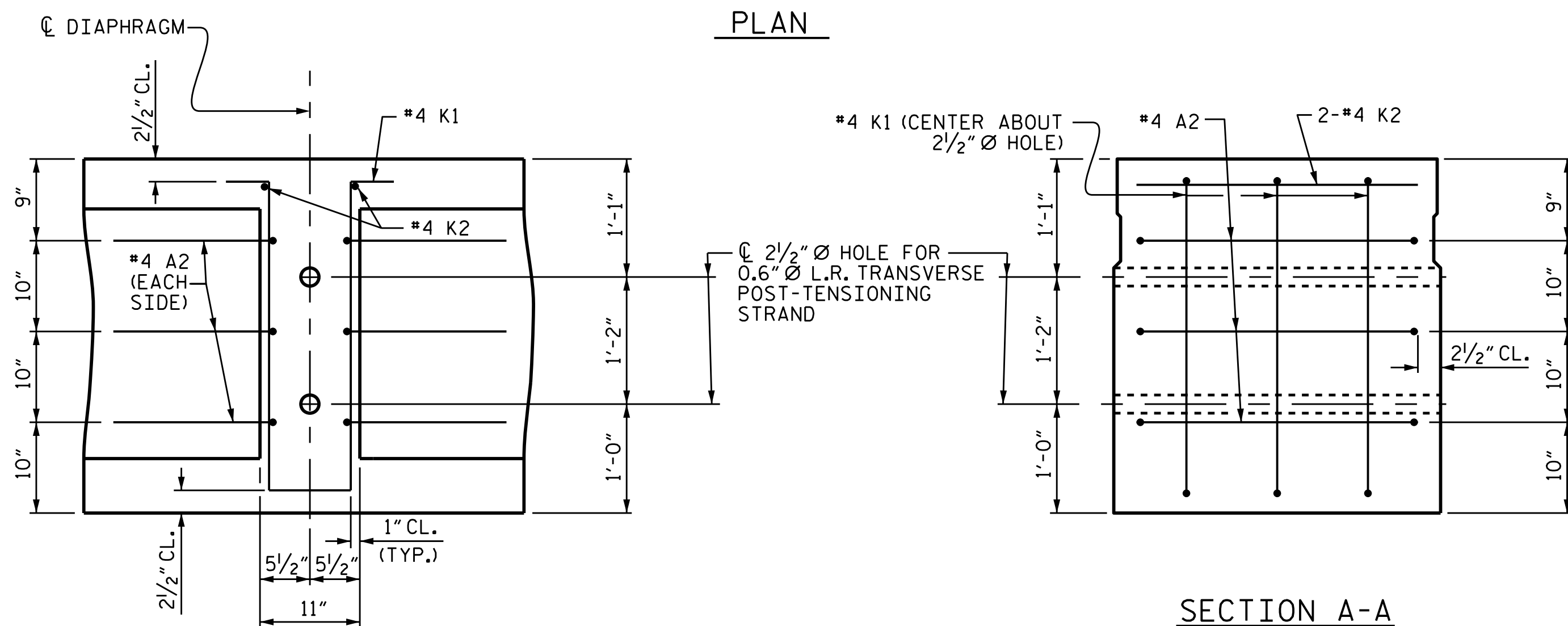
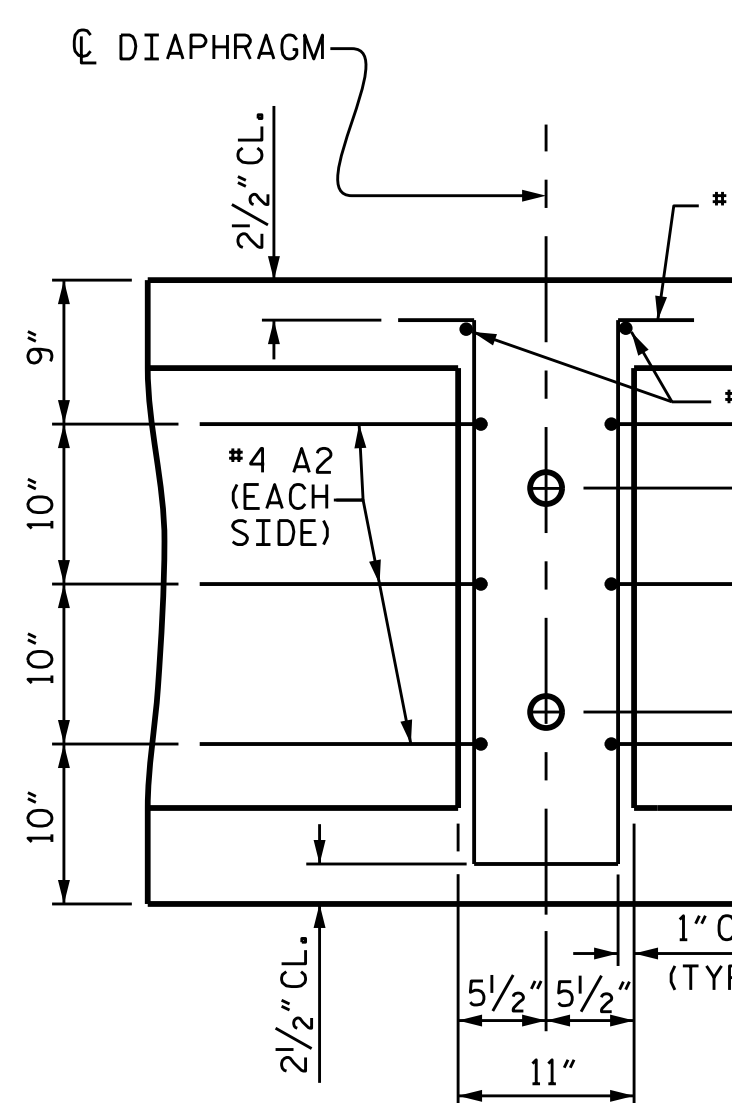


PLAN



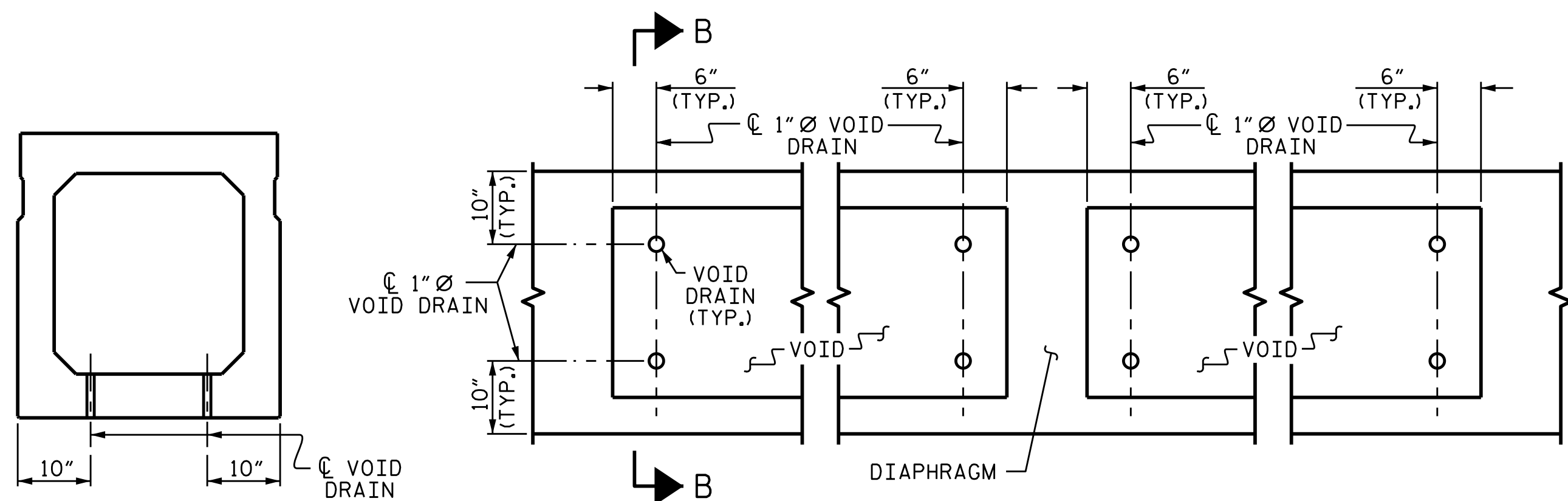
SECTION A-A
VOIDS NOT SHOWN



SECTION D-D

DOUBLE DIAPHRAGM DETAILS

#4 "S" BARS NOT SHOWN. #4 "S" BARS MAY BE SHIFTED SLIGHTLY TO CLEAR 2 1/2" Ø HOLE.

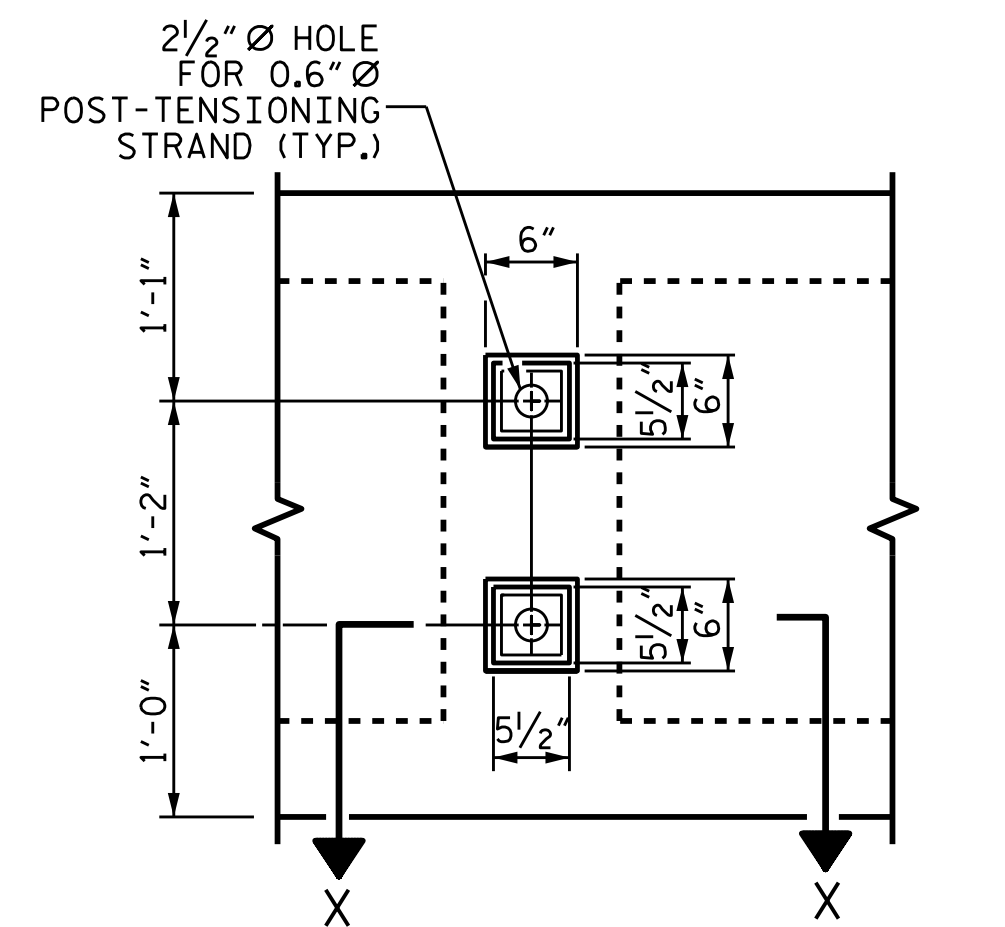


SECTION B-B

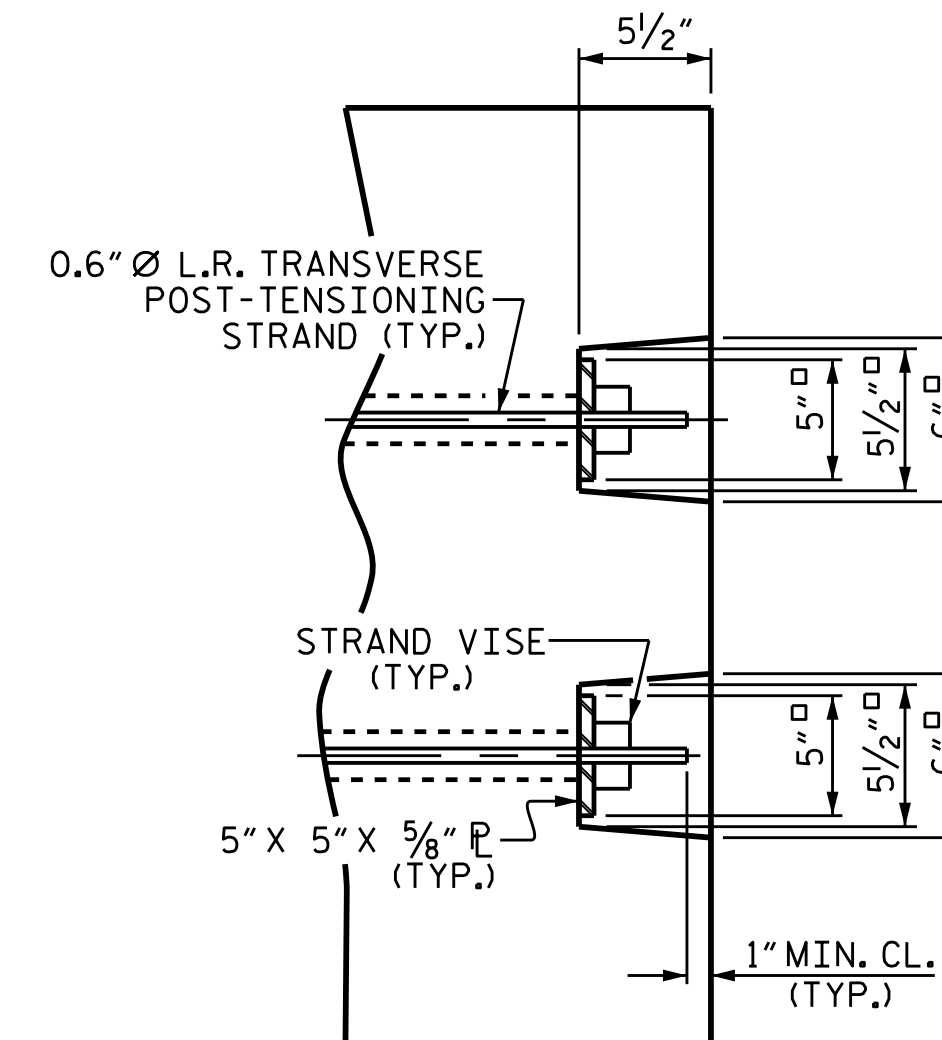
PART PLAN

VOID DRAIN DETAILS

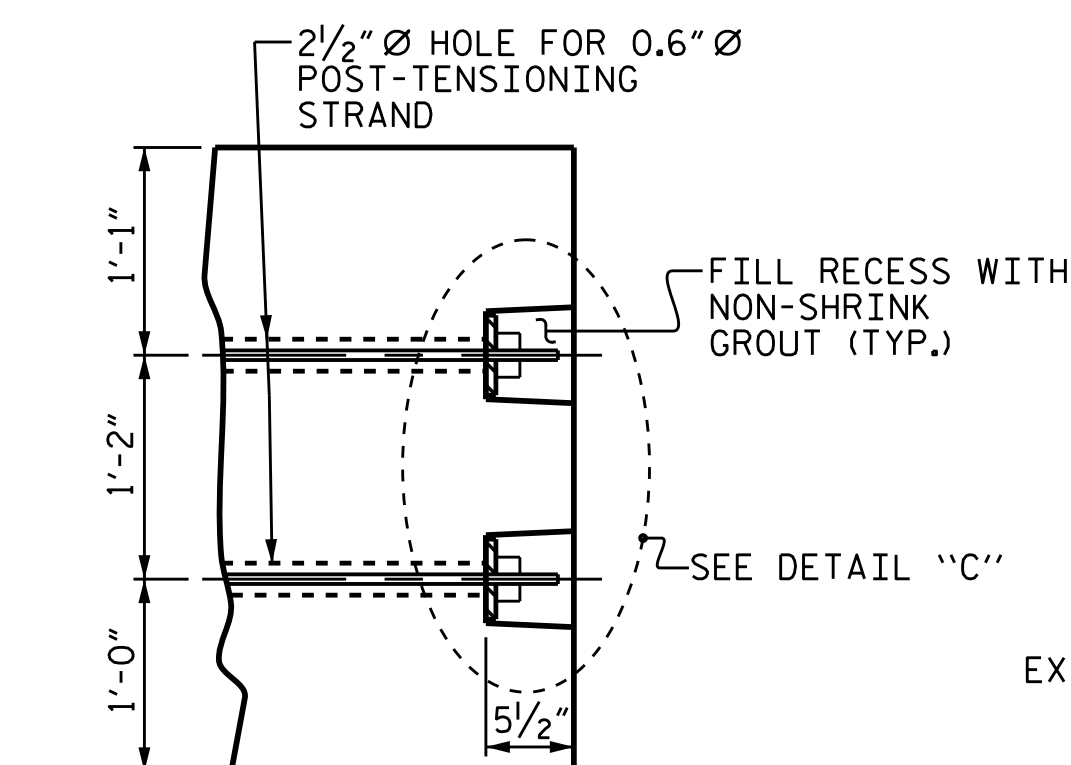
(DIMENSIONS SHOWN ARE TYPICAL FOR EACH VOID)



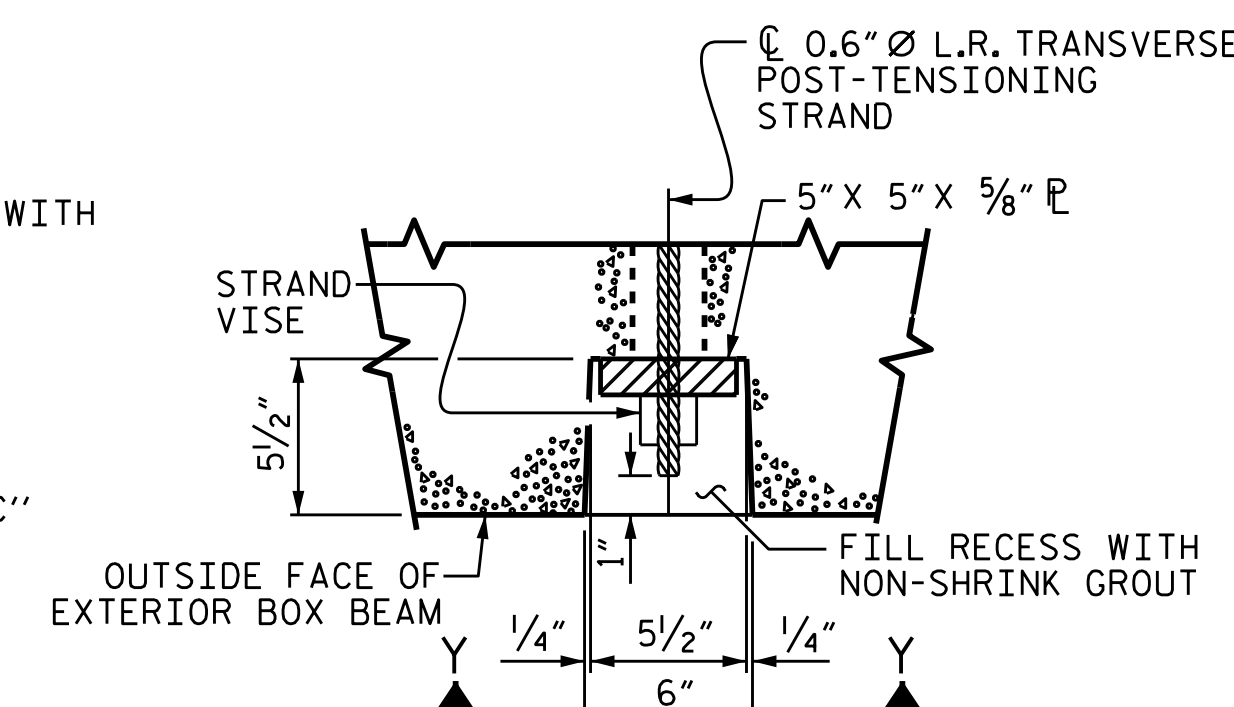
VIEW Y-Y
SHOWING ELEVATION VIEW OF GROUDED RECESS



DETAIL "C"



PART SECTION AT RECESS



SECTION X-X
SHOWING PLAN VIEW OF GROUDED RECESS

**GROUDED RECESS DETAIL AT
END OF POST-TENSIONED STRANDS
OF EXTERIOR BOX BEAM**

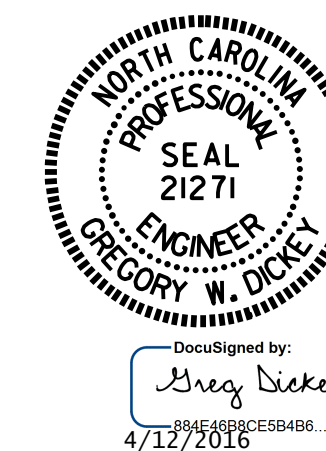
DEAD LOAD DEFLECTION AND CAMBER	
100' BOX BEAM UNIT (NC)	3'-0" x 3'-3"
CAMBER (SLAB ALONE IN PLACE)	2" ↑
DEFLECTION DUE TO SUPERIMPOSED DEAD LOAD**	7/8" ↓
FINAL CAMBER	1/8" ↓

** INCLUDES FUTURE WEARING SURFACE

BOX BEAM UNITS REQUIRED			
	NUMBER	LENGTH	TOTAL LENGTH
EXTERIOR B.B.	2	100'-0"	200'-0"
INTERIOR B.B.	9	100'-0"	900'-0"
TOTAL	11		1100'-0"

PROJECT NO. B-4961
GUILFORD COUNTY
 STATION: 17+07.00 -L-

SHEET 4 OF 4



STATE OF NORTH CAROLINA
 DEPARTMENT OF TRANSPORTATION
 RALEIGH
 STANDARD
 3'-0" X 3'-3"
 PRESTRESSED CONCRETE
 BOX BEAM UNIT

REVISIONS						SHEET NO.
NO.	BY:	DATE:	NO.	BY:	DATE:	S-8
1			3			TOTAL SHEETS 19
2			4			

DOCUMENT NOT CONSIDERED
 FINAL UNLESS ALL
 SIGNATURES COMPLETED

ASSEMBLED BY : REZA KOUCHEKI DATE : 9/1/15
 CHECKED BY : K.P. SEDAİ DATE : 9/2/15
 DRAWN BY : DGE II/II REV. 8/14 MAA/TMG
 CHECKED BY : TMG II/II