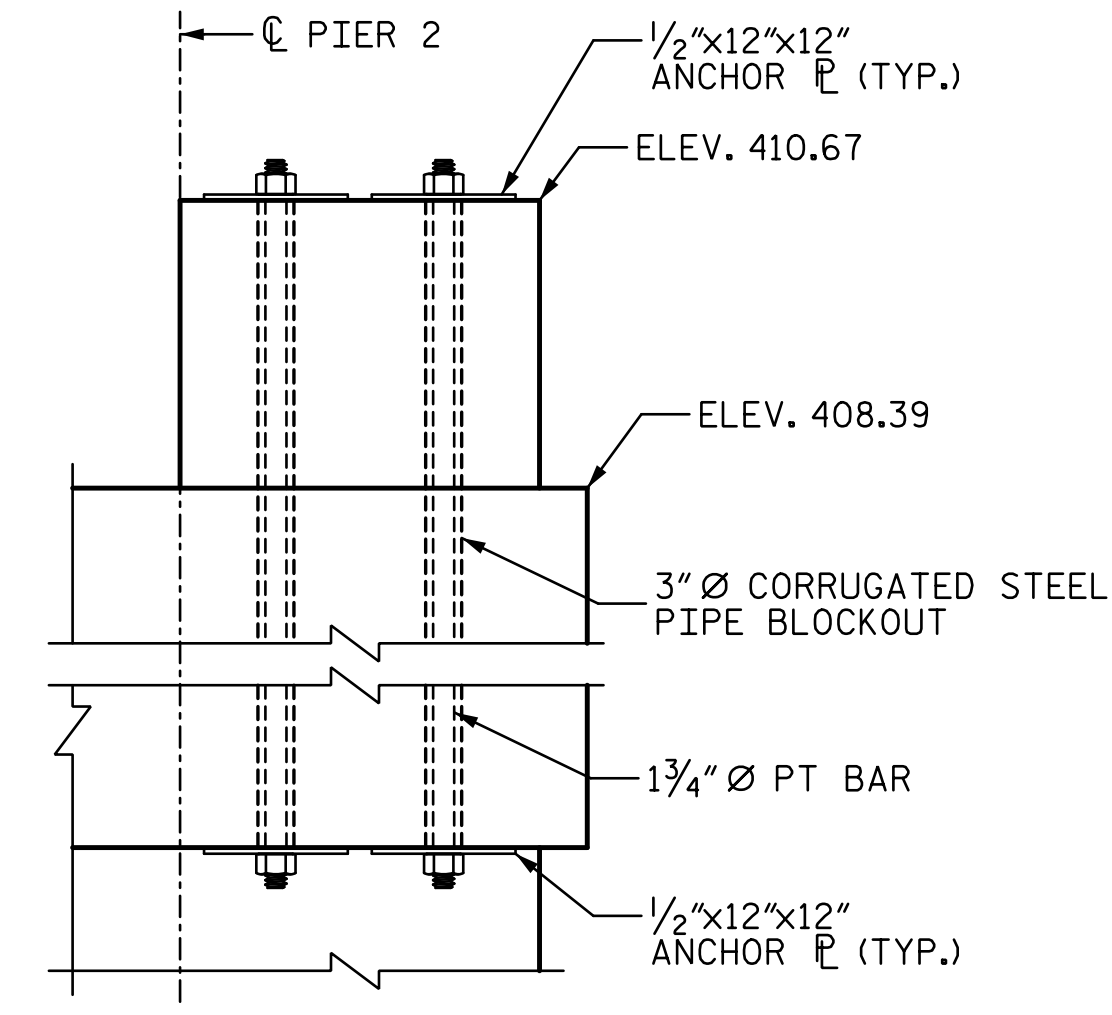
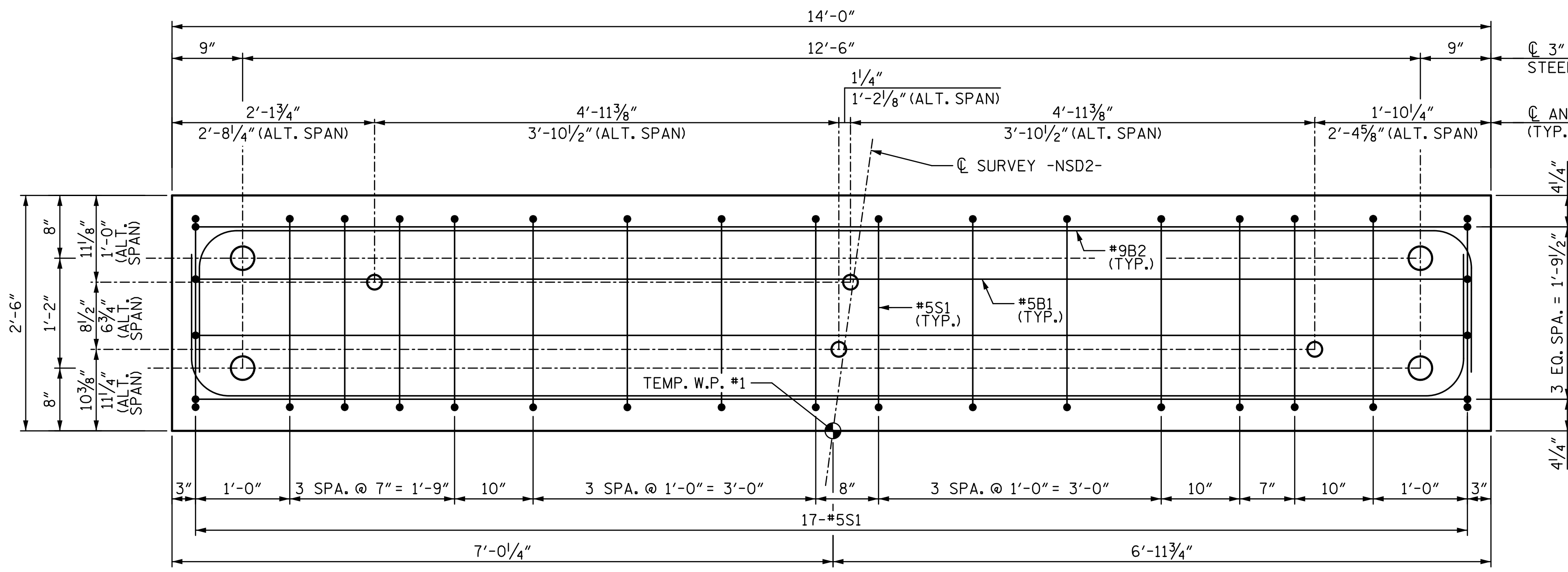


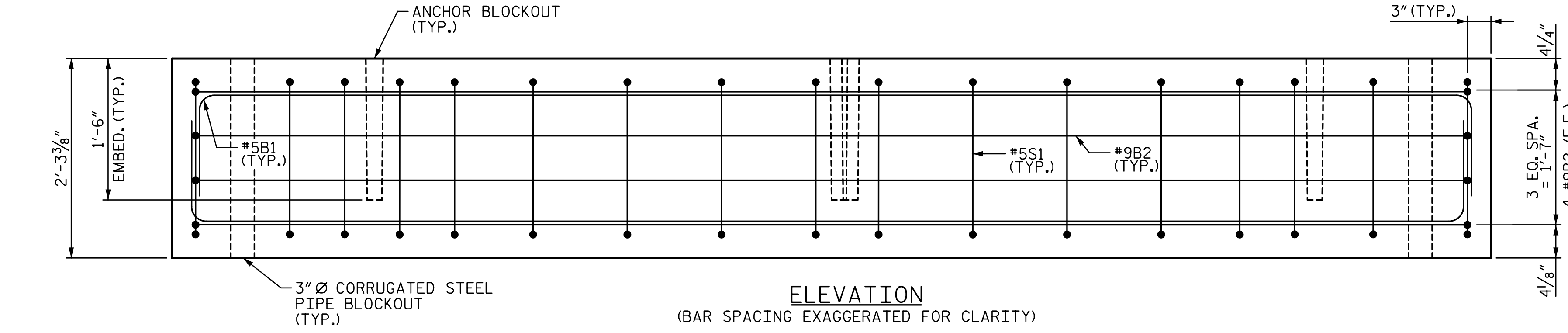
PLAN - PIER 2



SECTION M-M



PLAN (BAR SPACING EXAGGERATED FOR CLARITY)



ELEVATION (BAR SPACING EXAGGERATED FOR CLARITY)

PIER 2 TEMPORARY PRECAST CONCRETE PEDESTAL

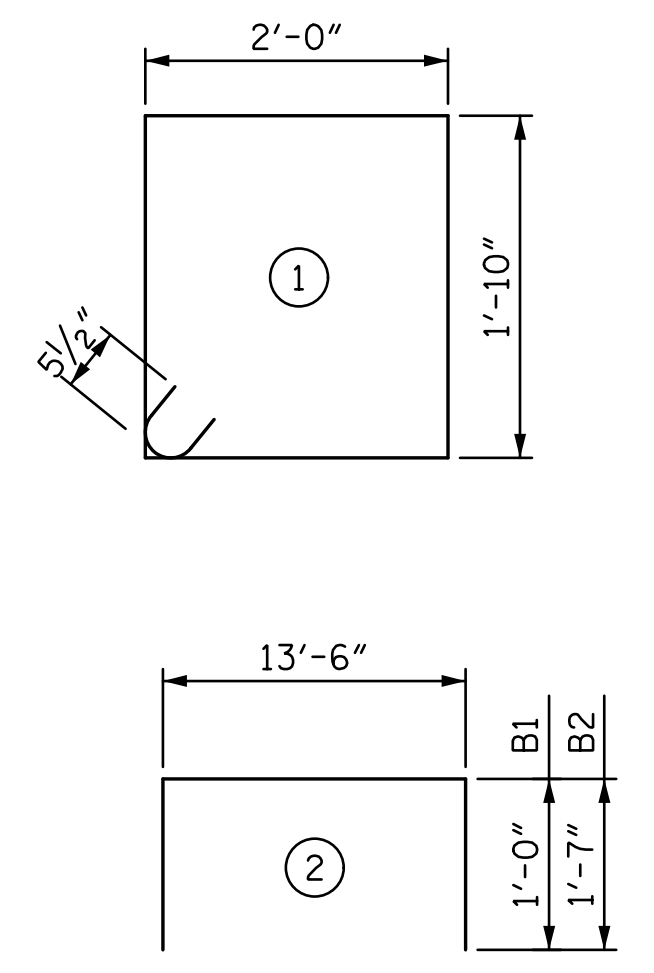
NOTES:

1. FOR TEMPORARY PEDESTAL CONSTRUCTION SEQUENCE, SEE SHEET TITLED "PIER 3 TEMPORARY PEDESTAL".
2. FOR TEMPORARY SPAN GENERAL NOTES, SEE SHEET TITLED "TEMPORARY SPAN GENERAL NOTES".
3. CONTRACTOR MAY ADJUST REINFORCING SLIGHTLY AS NECESSARY TO AVOID PREFORMED HOLES AND BLOCKOUTS.
4. FOR PT BAR, ASSEMBLY, AND ANCHOR PLATE DETAILS AND NOTES, SEE SHEET TITLED "PIER 3 TEMPORARY PEDESTAL".
5. CHAMFER 3/4" X 3/4" (TYP.).
6. PT = POST TENSIONED

REINFORCING BAR SCHEDULE

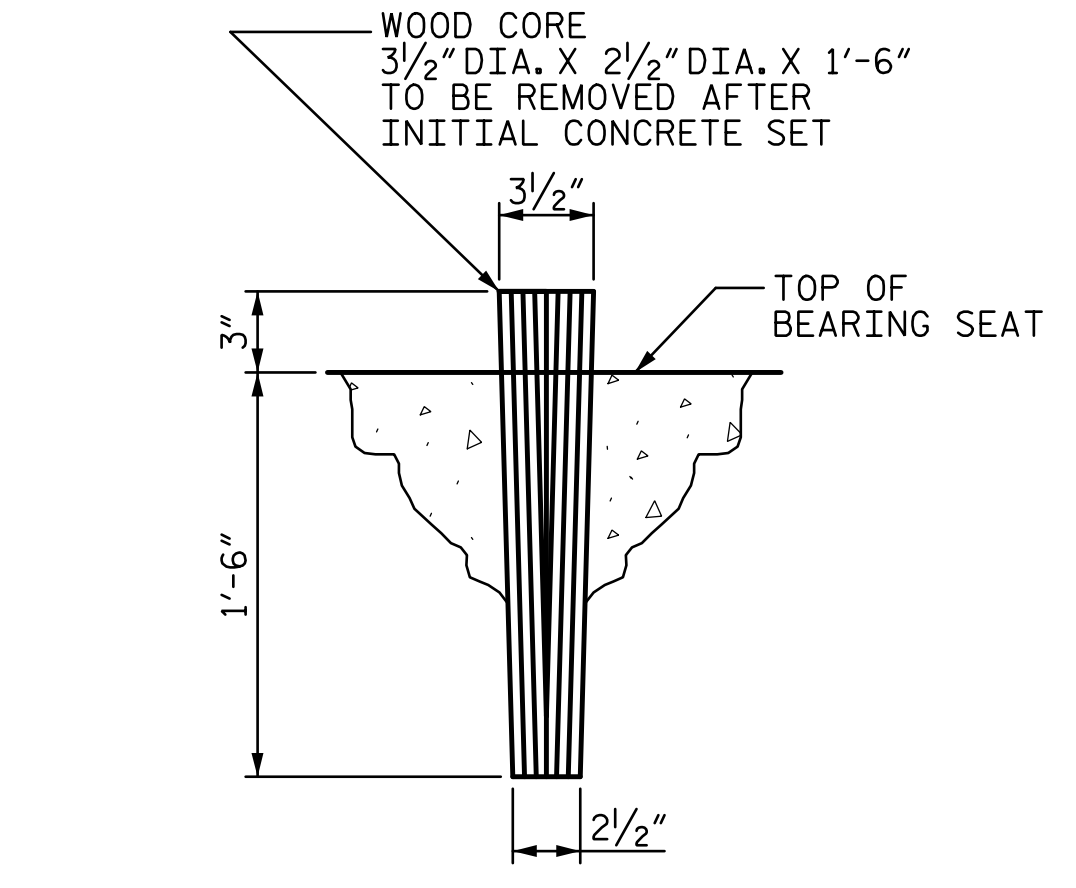
PIER 2 TEMPORARY PEDESTAL					
MARK	NO.	SIZE	TYPE	LENGTH (ft. in.)	WEIGHT (lb.)
B1	8	5	2	15'-6"	130
B2	8	9	2	16'-8"	454
S1	17	5	1	8'-7"	152

BAR TYPES



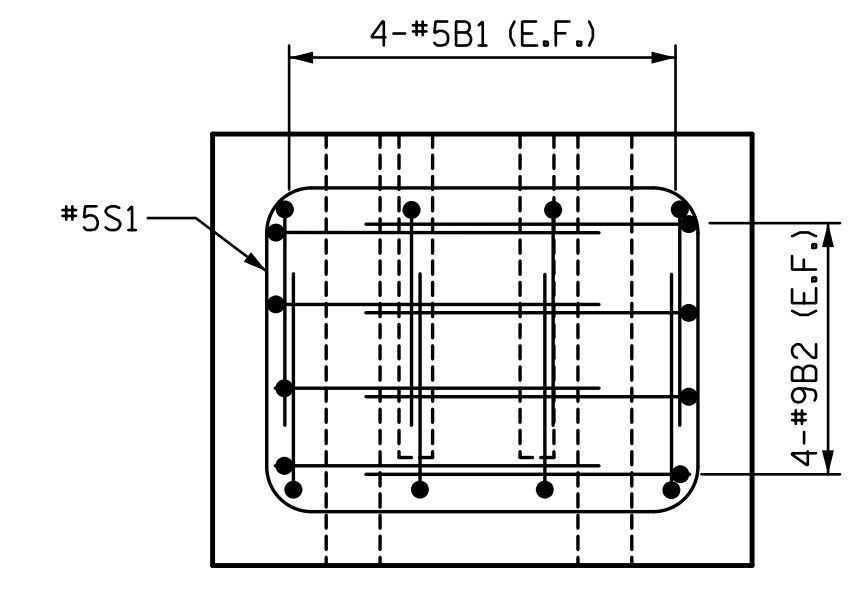
QUANTITIES - PIER 2 TEMPORARY PEDESTAL

ITEMS	UNIT	QUANTITY
PRECAST CONCRETE (5,000 PSI)	C.Y.	3.0
REINFORCING STEEL (60,000 PSI)	LBS.	736
1/2" PLATE	LBS.	163
1 3/4" DIA. PT BAR	LF	31.2



ANCHOR BLOCKOUT DETAIL

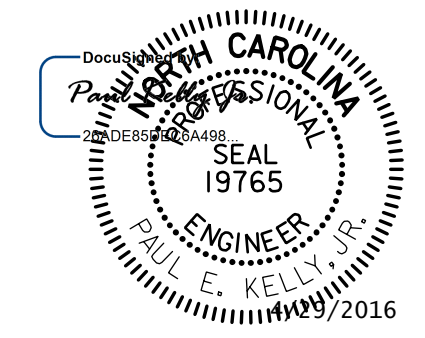
*IF FREEZING WEATHER IS ENCOUNTERED FILL HOLES WITH ANTIFREEZE AND SAWDUST.



END VIEW

PROJECT NO. U-3308
 DURHAM COUNTY
 STATION: 24+55.20 -LALT-
13+22.18 -CSXN-
 SHEET 15 OF 16

STATE OF NORTH CAROLINA
 DEPARTMENT OF TRANSPORTATION
 RALEIGH
 PIER 2 TEMPORARY PEDESTAL



REVISIONS				SHEET NO.	
NO.	BY:	DATE:	NO.	BY:	DATE:
1			3		
2			4		

SHEET NO.	
S4-67	TOTAL SHEETS 68

STV / Ralph Whitehead Associates, Inc.
 900 W Trade Street, Suite 715
 Charlotte, NC 28202
 NC License No. F-0991

DOCUMENT NOT CONSIDERED FINAL
 UNLESS ALL SIGNATURES COMPLETED

4/29/2016 12:33:45 PM I:\PROJ\251325\ustation\struct\Temporary_Span\404_066_U3308_SMU_T515.dgn

DRAWN BY: MTC DATE: 06-14
 CHECKED BY: DJM DATE: 06-14