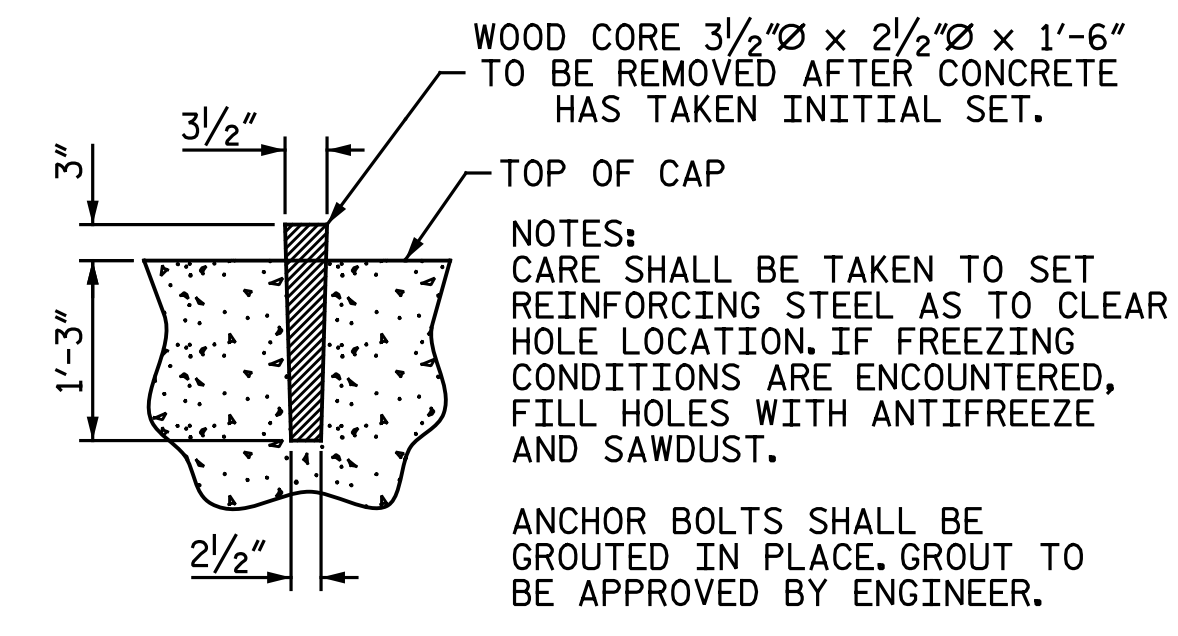
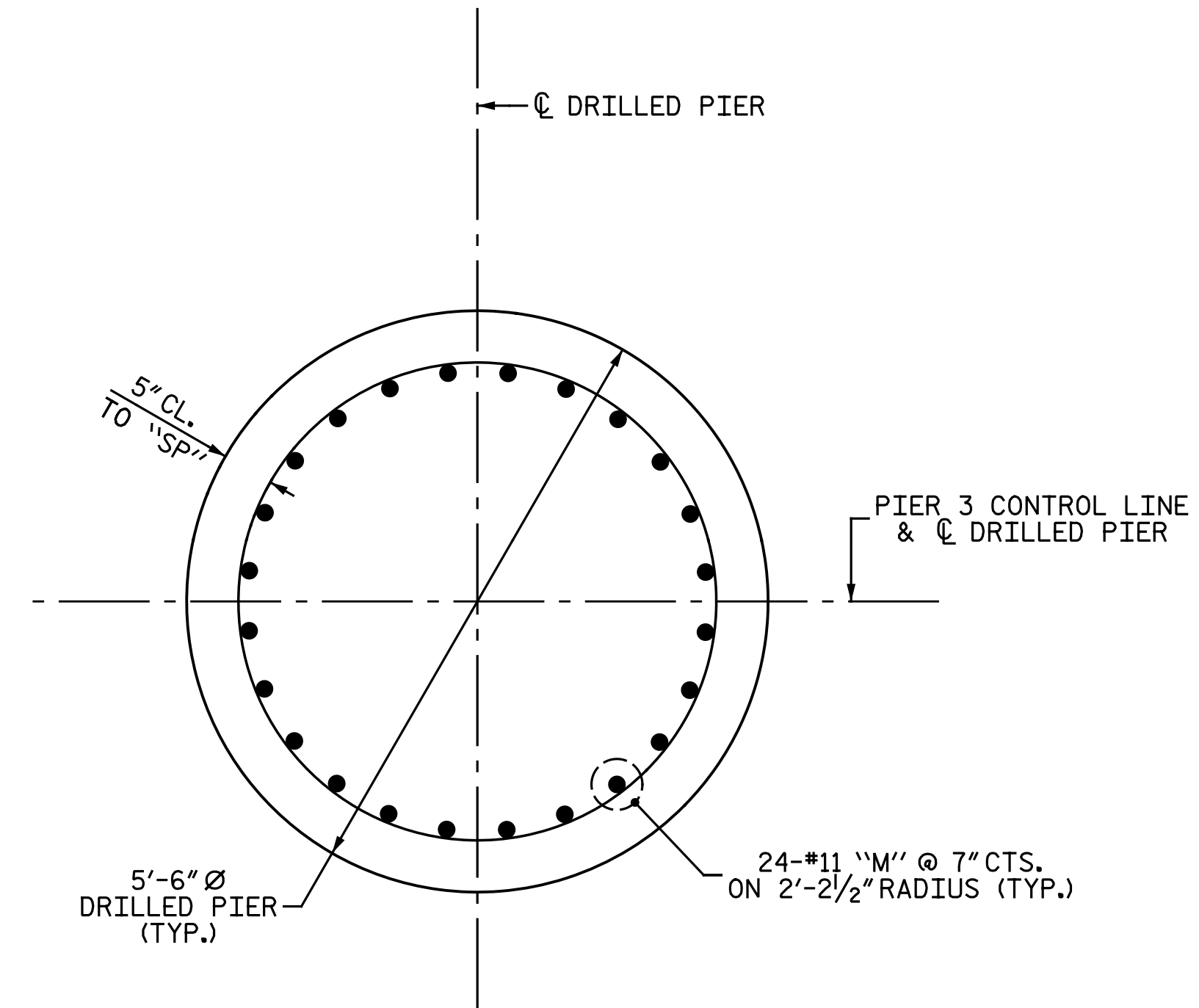


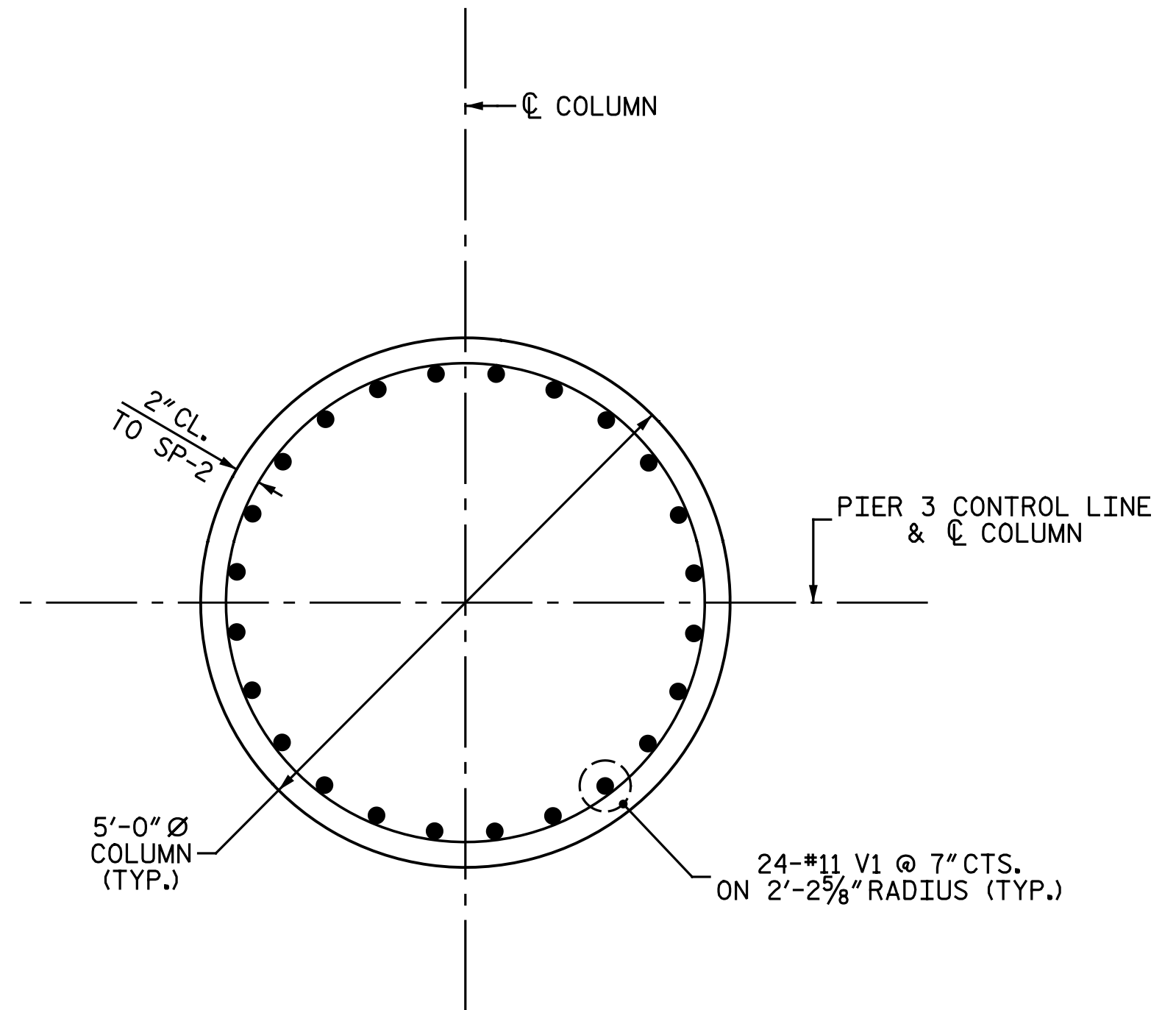
**PLAN OF DRILLED PIERS**  
ALL DIMENSIONS AND DETAILS SHOWN FOR DRILLED PIERS ARE TYPICAL FOR EACH PIER UNLESS OTHERWISE NOTED.



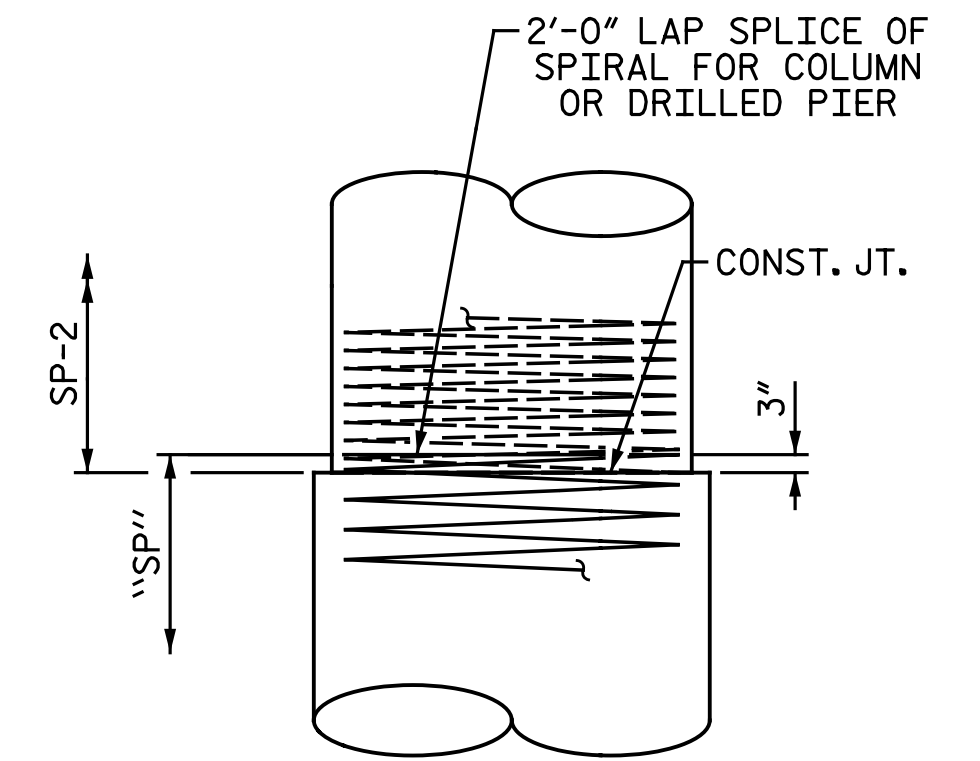
**DETAIL B**  
FOR LOCATION OF "DETAIL B", SEE SHEET 1 OF 3.



**SECTION A-A**

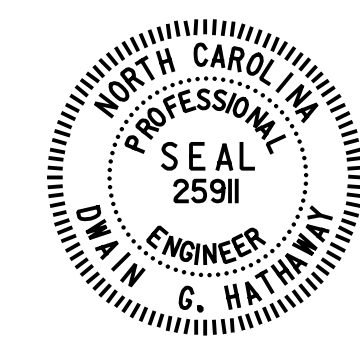


**SECTION B-B**



**CONSTRUCTION JOINT DETAIL**

PROJECT NO. U-3308  
DURHAM COUNTY  
STATION: 24+55.20 -LALT-  
13+22.18 -CSXN-  
SHEET 2 OF 3



Designed by  
*Dwain Holloway*  
5/3/2016

STATE OF NORTH CAROLINA  
DEPARTMENT OF TRANSPORTATION  
RALEIGH  
SUBSTRUCTURE  
PIER 3 DETAILS

REVISIONS						SHEET NO.
NO.	BY:	DATE:	NO.	BY:	DATE:	S4-39
1			3			TOTAL SHEETS
2			4			68

**Michael Baker INTERNATIONAL**

Michael Baker Engineering  
8000 Regency Parkway, Suite 600  
Cary, North Carolina 27618  
NC License No.: F-1084

cmayhew 5/3/2016 9:37:21 AM  
 File name: Y:\Projects\NCDOT\U-3308\Structures\Drawings\Final\404\_039\_U3308\_SML\_P302.dgn

DRAWN BY : M. D. MAYHEW DATE : 5-9-14  
CHECKED BY : S. A. DENNEY DATE : 5-27-14