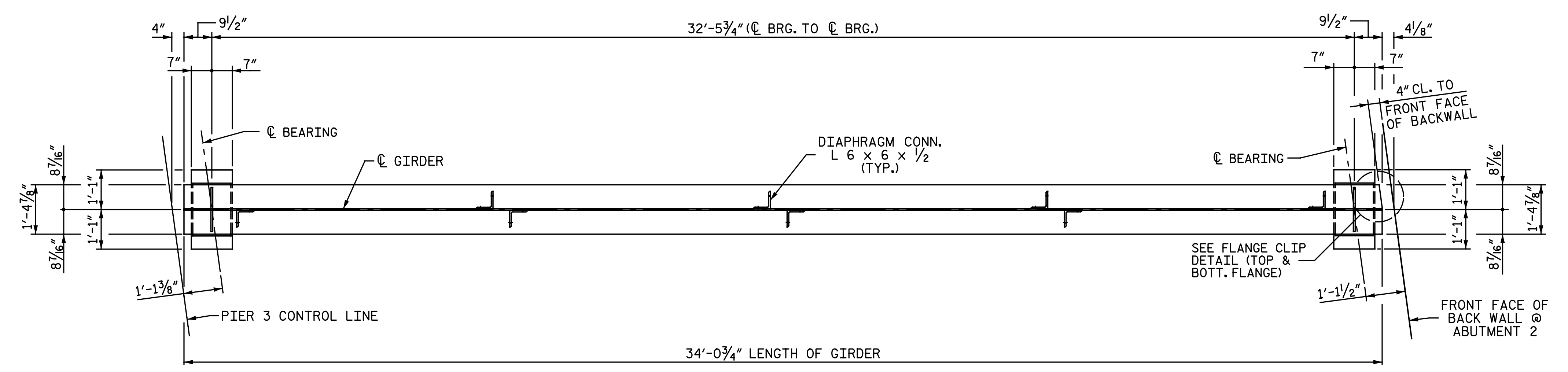
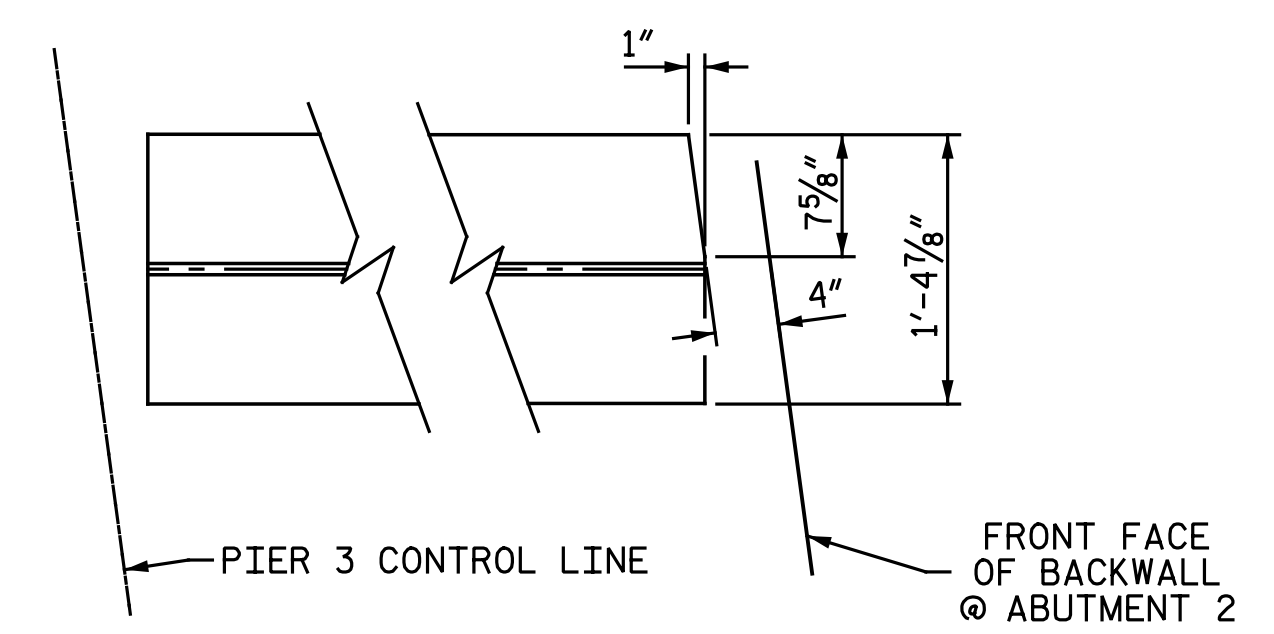


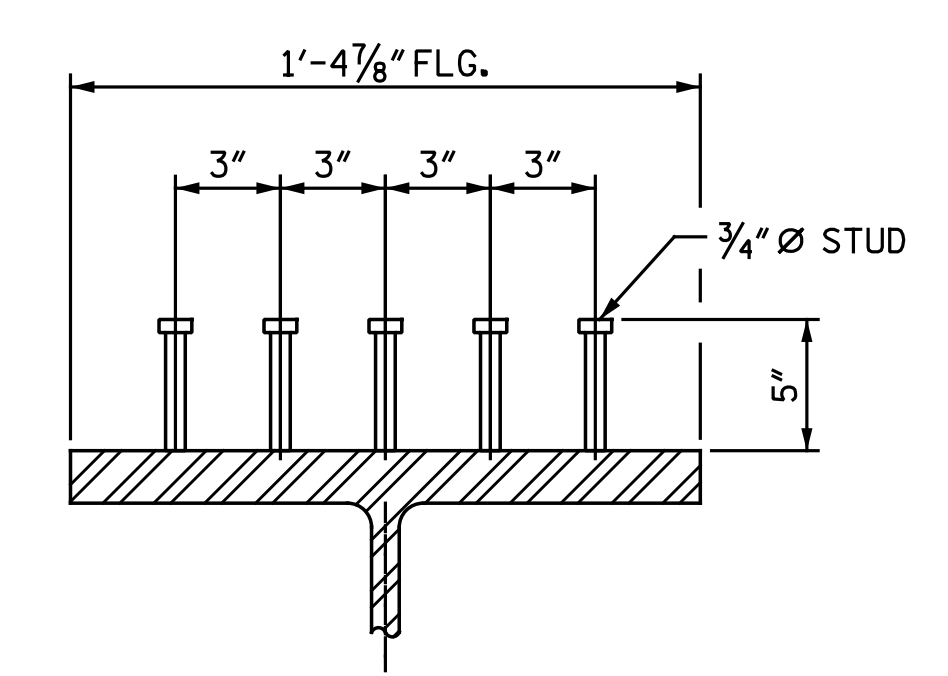
**GIRDER ELEVATION - SPAN D**  
(INTERIOR GIRDER SHOWN, OTHERS SIMILAR)



**BOTTOM FLANGE DETAIL - SPAN D**  
(INTERIOR GIRDER SHOWN, OTHERS SIMILAR)  
DIAPHRAGM CONNECTORS SHALL NOT BE PLACED ON OUTSIDE OF EXTERIOR GIRDERS.

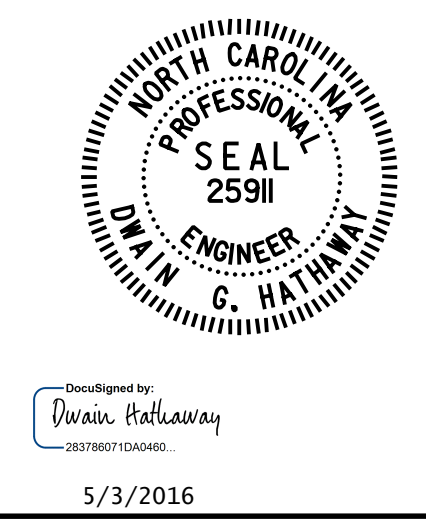


**FLANGE CLIP DETAIL - SPAN D**  
NOTE: CLIP TOP & BOTTOM FLANGES AT EACH END OF GIRDER.



**SHEAR STUD DETAIL**

PROJECT NO. U-3308  
DURHAM COUNTY  
STATION: 24+55.20 -LALT-  
13+22.18 -CSXN-  
SHEET 4 OF 4



**Michael Baker INTERNATIONAL**

Michael Baker Engineering  
8000 Regency Parkway, Suite 600  
Cary, North Carolina 27618  
NC License No.: F-1084

STATE OF NORTH CAROLINA  
DEPARTMENT OF TRANSPORTATION  
RALEIGH  
SUPERSTRUCTURE  
GIRDER DETAILS  
SPAN D

REVISIONS						SHEET NO.
NO.	BY:	DATE:	NO.	BY:	DATE:	S4-21
1			3			TOTAL SHEETS
2			4			68

cmayhew 5/3/2016 9:37:08 AM  
 File name: Y:\Projects\NCDOT\U-3308\Structures\Drawings\Final\404\_021\_U3308\_SML\_604.dgn

DRAWN BY: C. E. MAYHEW DATE: 3-13-13  
CHECKED BY: S. A. DENNEY DATE: 3-14-14