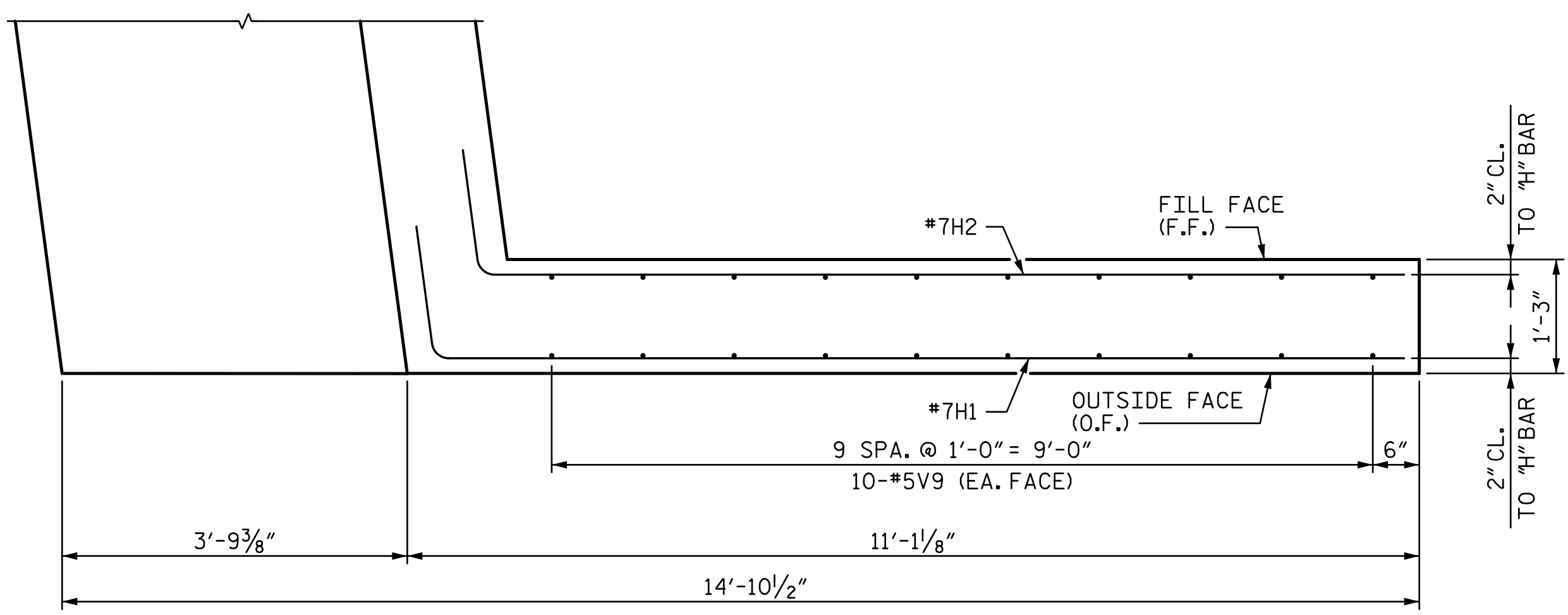
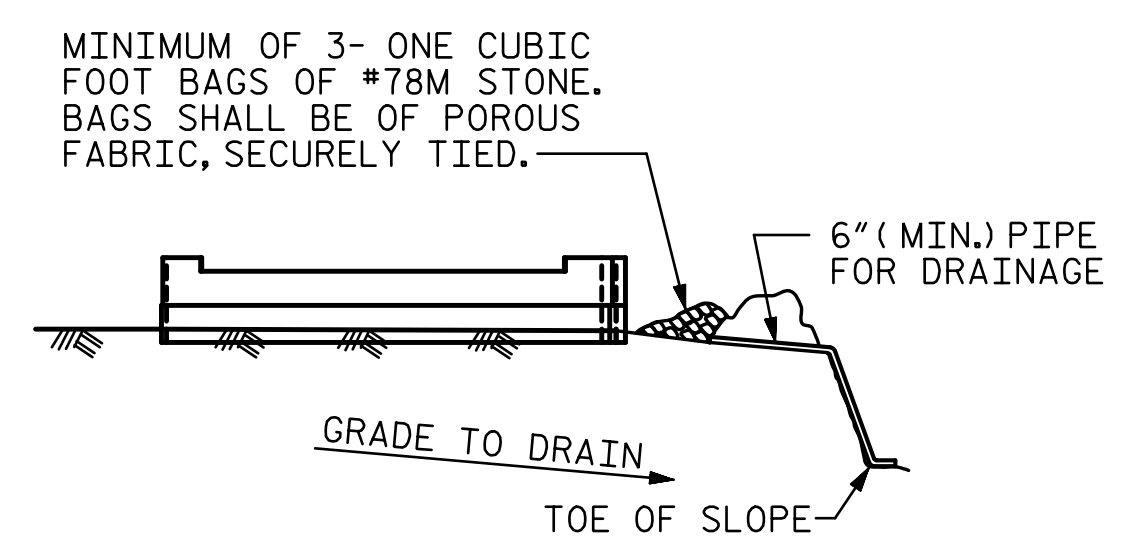


**UNDERDRAIN DETAIL**

STRUCTURE BACKFILL  
 POROUS BACKFILL



PLAN (W1)

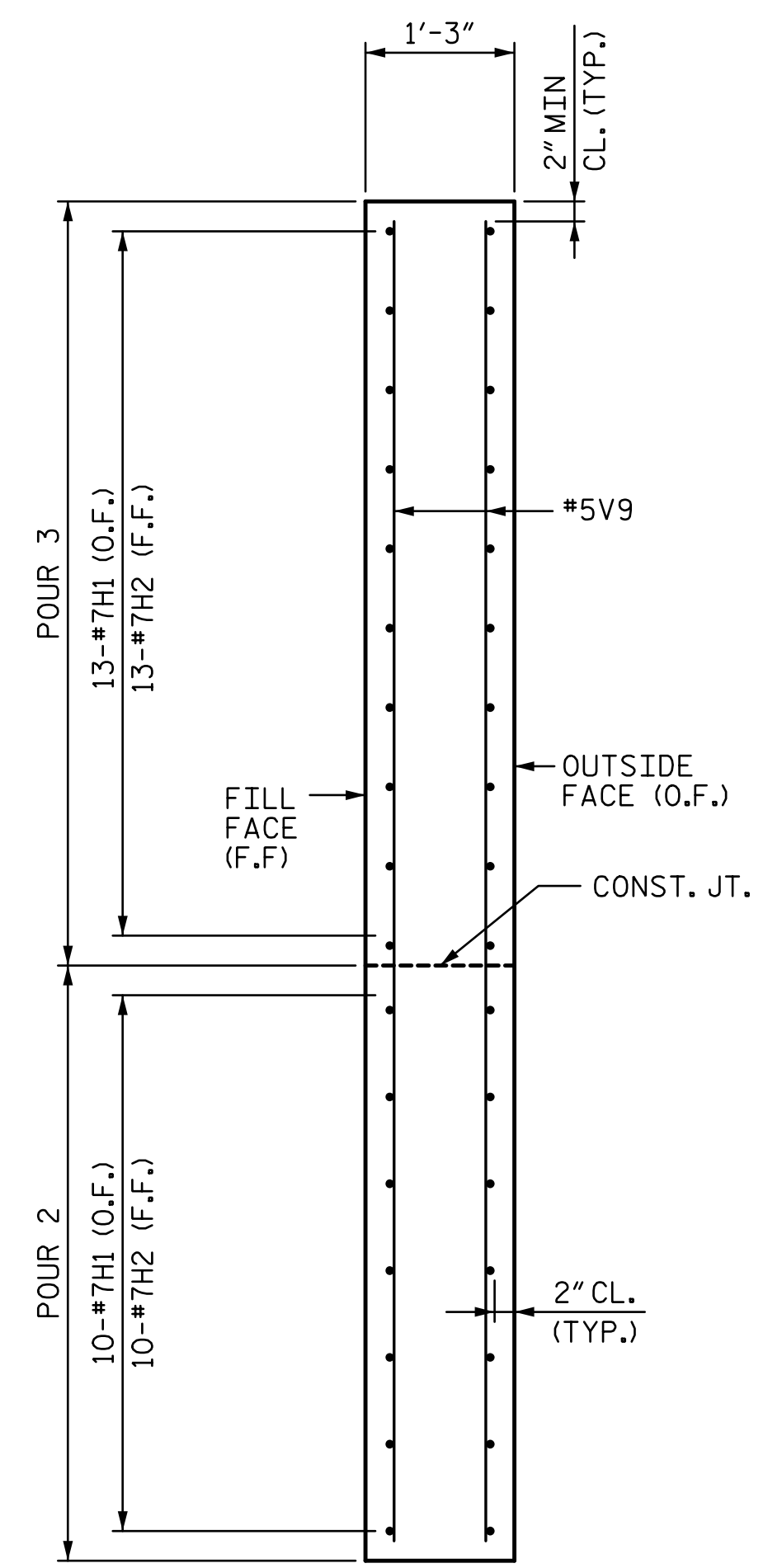


MINIMUM OF 3- ONE CUBIC FOOT BAGS OF #78M STONE. BAGS SHALL BE OF POROUS FABRIC, SECURELY TIED.

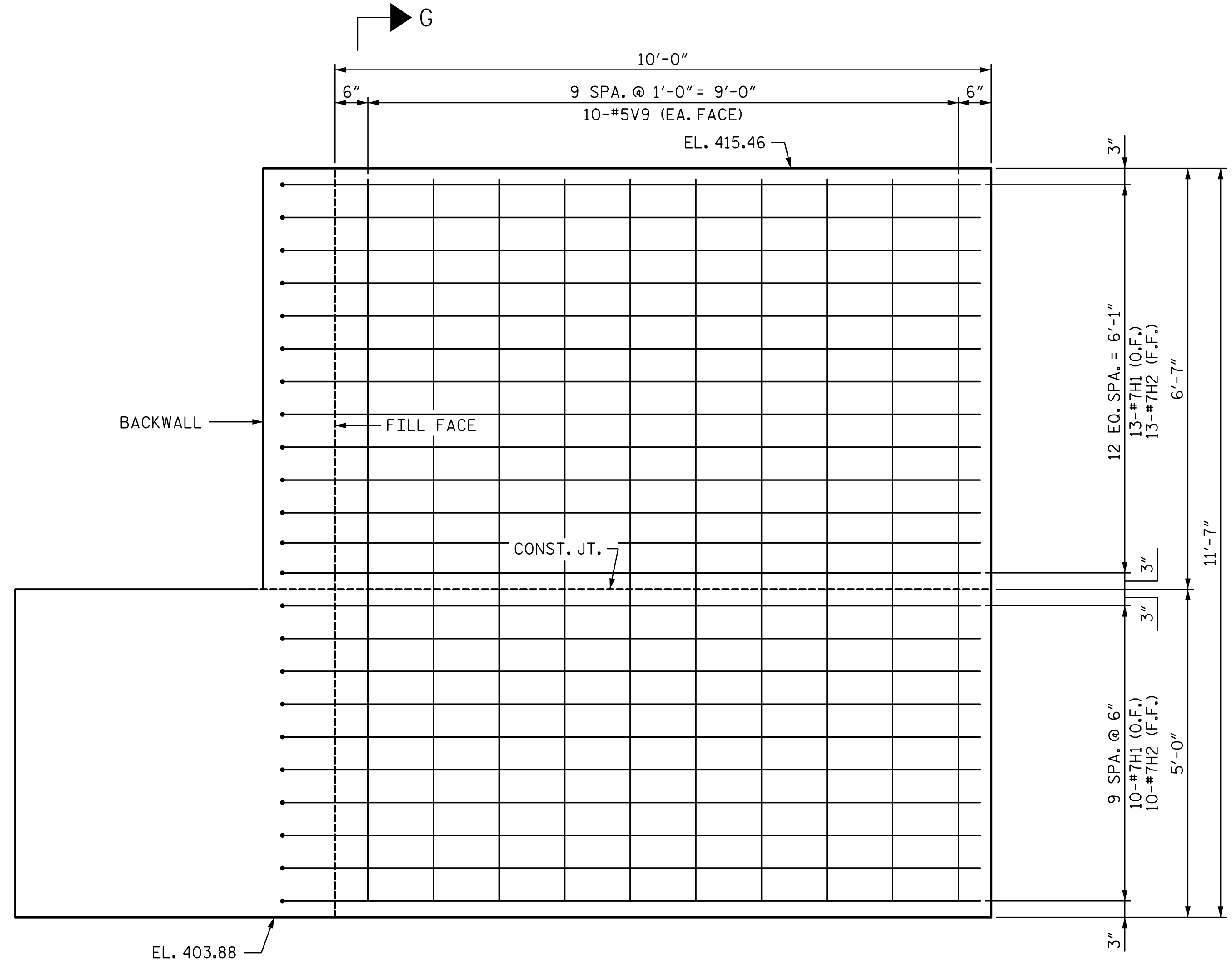
BAGGED STONE AND PIPE SHALL BE PLACED IMMEDIATELY AFTER COMPLETION OF END BENT EXCAVATION. PIPE MAY BE EITHER CONCRETE, CORRUGATED STEEL, CORRUGATED ALUMINUM ALLOY, OR CORRUGATED PLASTIC. PERFORATED PIPE WILL NOT BE ALLOWED.

BAGGED STONE SHALL REMAIN IN PLACE UNTIL THE ENGINEER DIRECTS THAT IT BE REMOVED. THE CONTRACTOR SHALL REMOVE AND DISPOSE OF SILT ACCUMULATIONS AT BAGGED STONE WHEN SO DIRECTED BY THE ENGINEER. BAGS SHALL BE REMOVED AND REPLACED WHENEVER THE ENGINEER DETERMINES THAT THEY HAVE DETERIORATED AND LOST THEIR EFFECTIVENESS.

**TEMPORARY DRAINAGE AT END BENT**



SECTION G-G



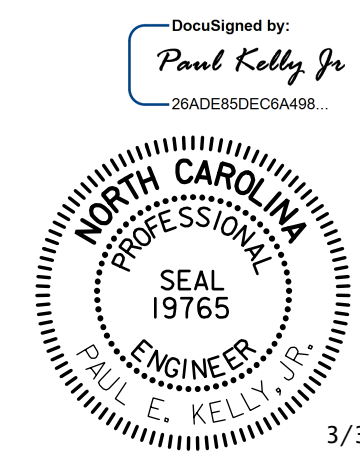
ELEVATION (W1)

3/30/2015 4:04:23 PM I:\PROJ\2513251\ustation\struct\Final\403\_037\_U3308\_SML\_AB204.dgn

DRAWN BY : TJT DATE : 06-14  
 CHECKED BY : DJM DATE : 06-14

DOCUMENT NOT CONSIDERED FINAL  
 UNLESS ALL SIGNATURES COMPLETED

STV / Ralph Whitehead Associates, Inc.  
 900 W Trade Street, Suite 715  
 Charlotte, NC 28202  
 NC License No. F-0991



PROJECT NO. U-3308  
 DURHAM COUNTY  
 STATION: POT 24+09.63 -LALT-  
 POT 21+11.43 -NSN-

SHEET 4 OF 5

STATE OF NORTH CAROLINA  
 DEPARTMENT OF TRANSPORTATION  
 RALEIGH

**ABUTMENT 2**

REVISIONS				SHEET NO.	
NO.	BY:	DATE:	NO.	BY:	DATE:
1			3		
2			4		

TOTAL SHEETS: 44