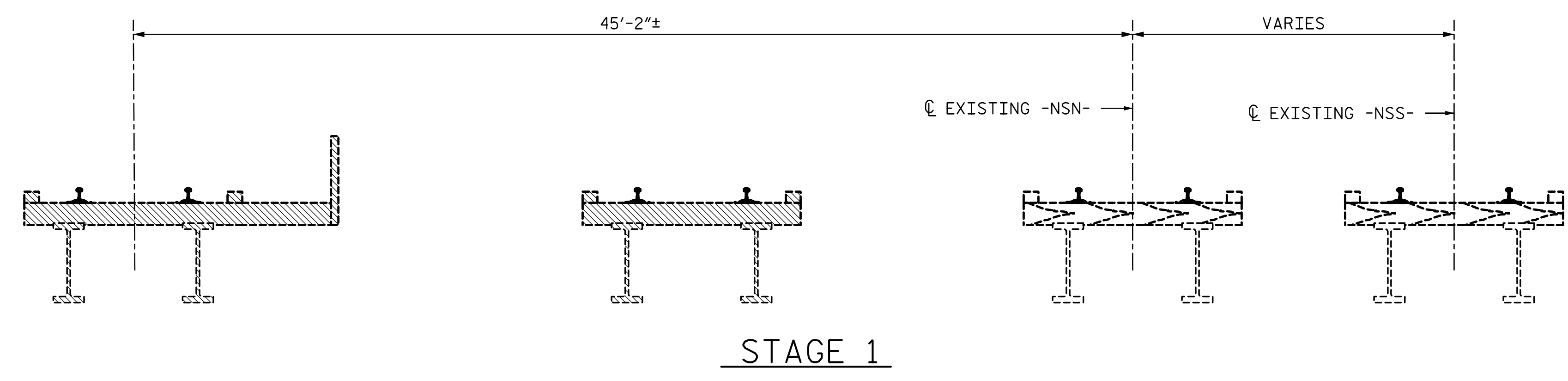
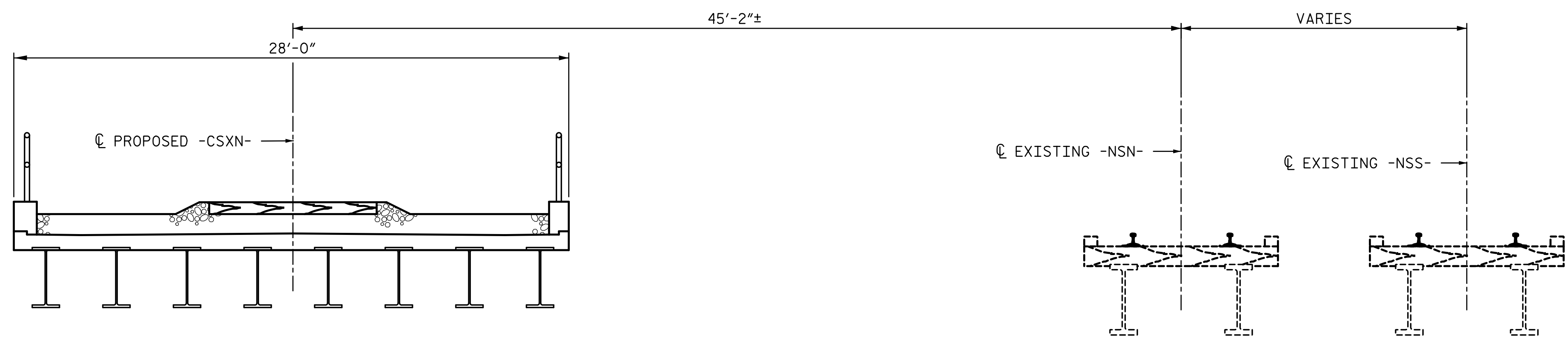


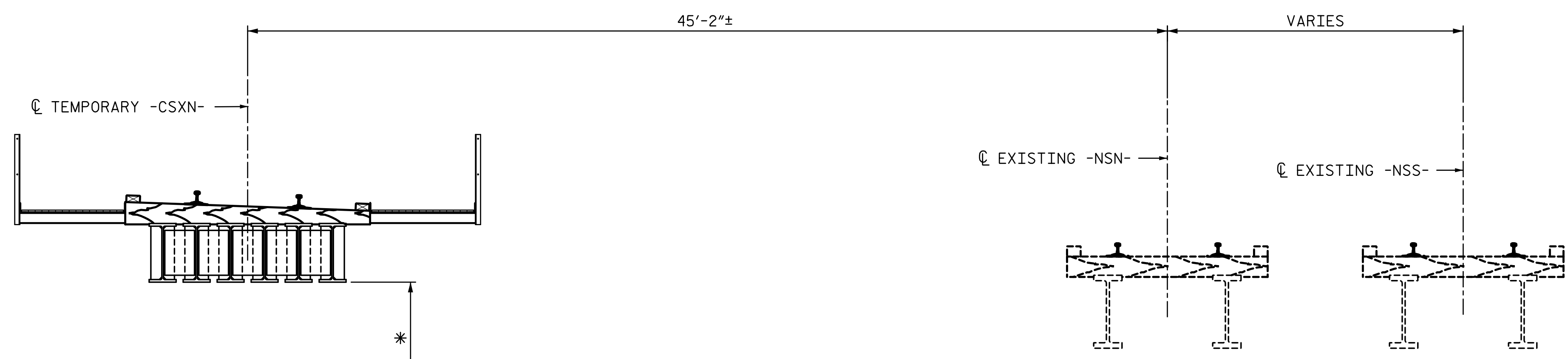
**RAIL TRAFFIC STAGING:**



**STAGE 1**  
REMOVE EXISTING -CSXN- BRIDGE AND EXISTING ABANDONED BRIDGE.



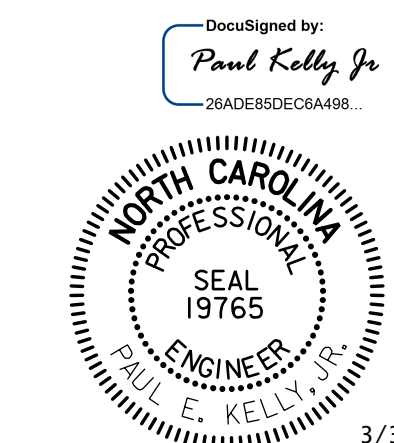
**STAGE 2 (SPANS A, B, & D)**  
INSTALL SHORING 1 NEAR EXISTING -NSN- BRIDGE TO FACILITATE CONSTRUCTION OF PROPOSED -CSXN- BRIDGE. SEE TEMPORARY SHORING SHEET 1 OF 5 FOR LOCATION OF SHORING 1.  
(ADDITIONAL SHORING MAY BE REQUIRED AT PROPOSED PIER 2 TO PROTECT EXISTING ALSTON AVE. AND FOR PROPOSED -NSN-/-NSS- AND -CSXN- BRIDGE CONSTRUCTION.)  
CONSTRUCT PROPOSED -CSXN- BRIDGE SPANS A, B, AND D.



**STAGE 2 (SPAN C)**  
CONSTRUCT PROPOSED TEMPORARY SPAN C OF PROPOSED -CSXN- BRIDGE.  
\* TEMPORARY MINIMUM VERTICAL CLEARANCE TO EXISTING ALSTON AVE. = 14'-5"

PROJECT NO. U-3308  
DURHAM COUNTY  
STATION: POT 24+09.63 -LALT-  
POT 21+11.43 -NSN-

SHEET 1 OF 2



STATE OF NORTH CAROLINA  
DEPARTMENT OF TRANSPORTATION  
RALEIGH

**CONSTRUCTION STAGING**

i:\PROJ\251325\ustation\struc\Final\403\_005\_U3308\_SML\_CS01.dgn 3/30/2015 4:40:10 PM olveyac

DRAWN BY : NMC DATE : 06-14  
CHECKED BY : DJM DATE : 06-14

DOCUMENT NOT CONSIDERED FINAL  
UNLESS ALL SIGNATURES COMPLETED

STV / Ralph Whitehead Associates, Inc.  
900 W Trade Street, Suite 715  
Charlotte, NC 28202  
NC License No. F-0991

REVISIONS						SHEET NO.
NO.	BY:	DATE:	NO.	BY:	DATE:	S3-5
1			3			TOTAL SHEETS
2			4			44