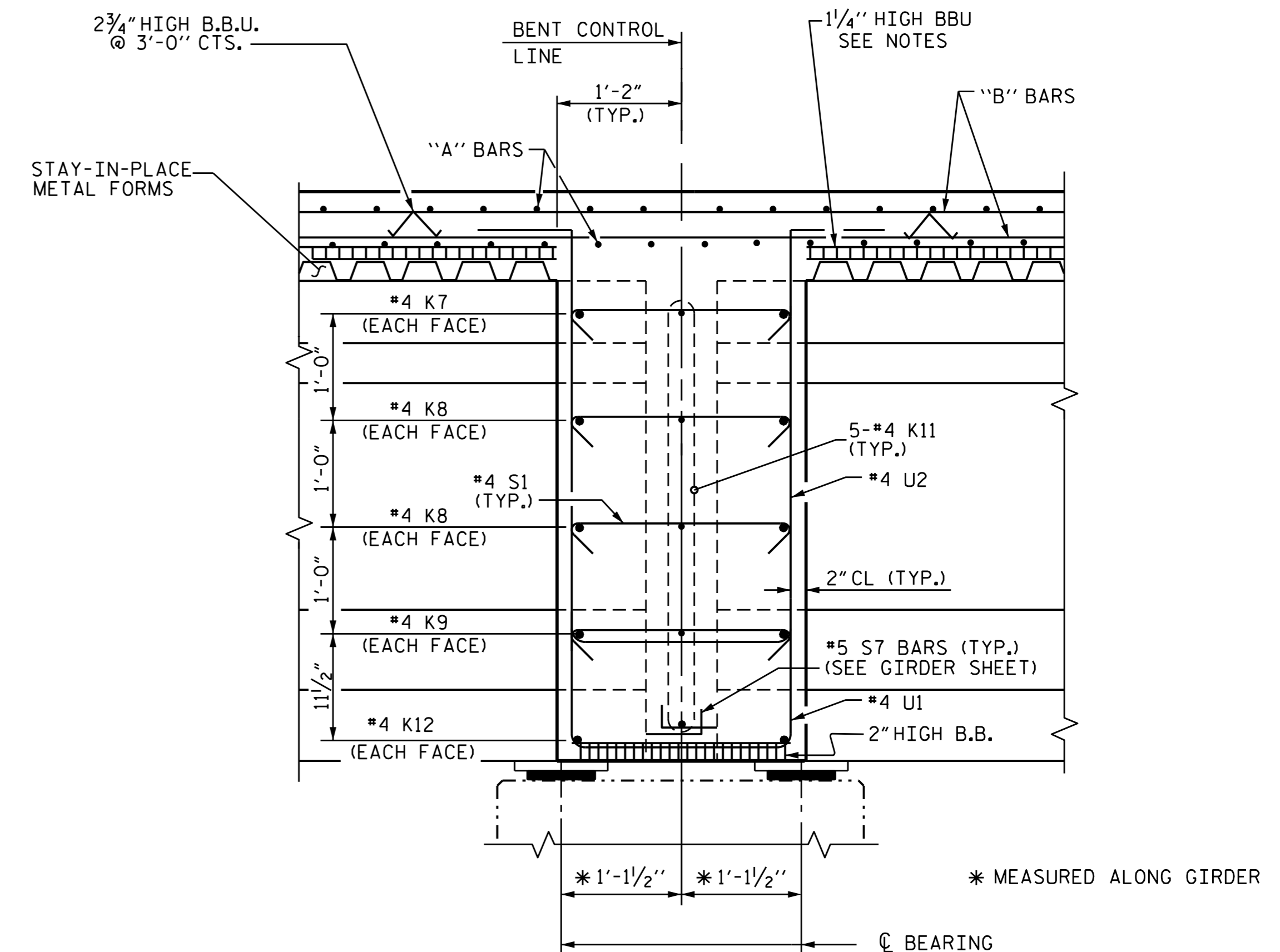
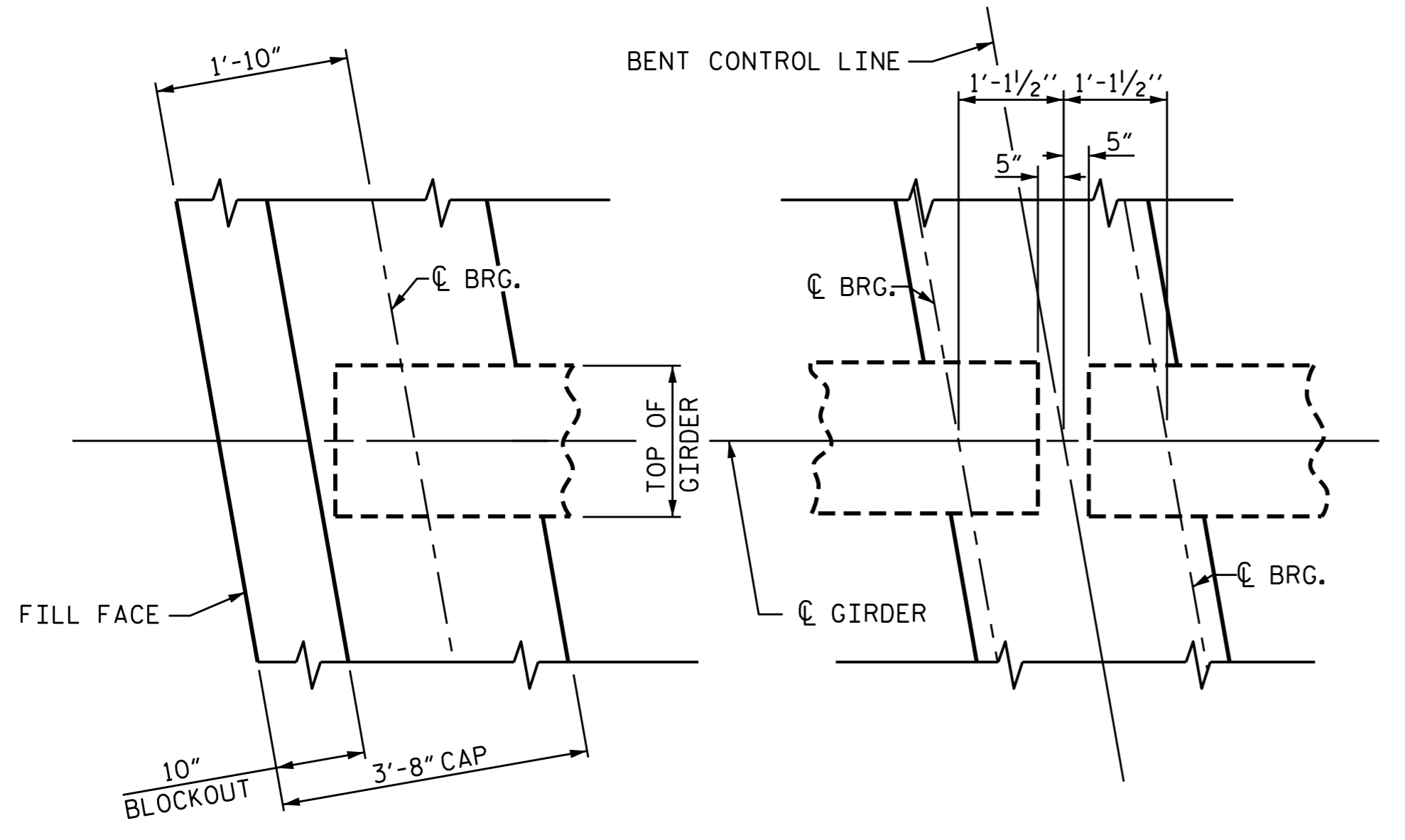


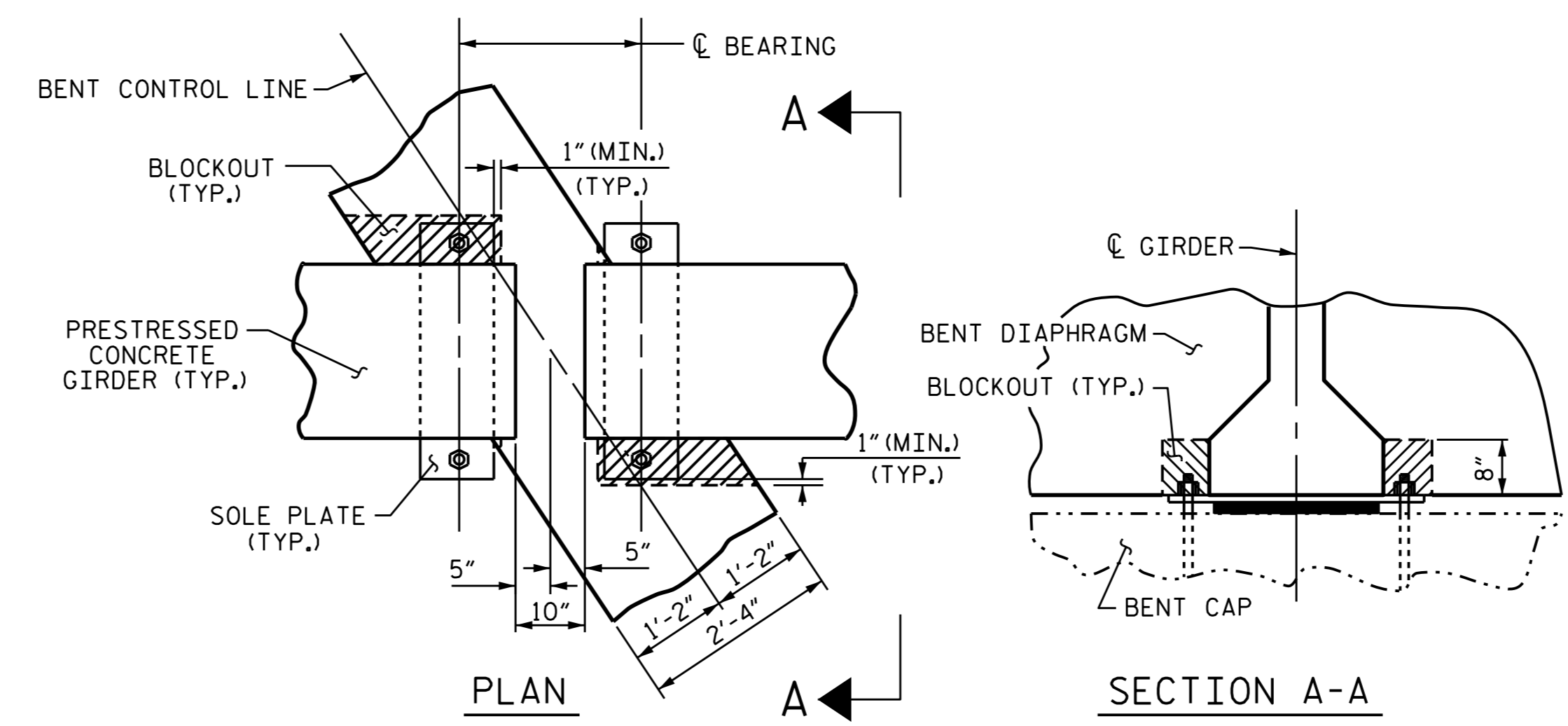
SECTION THROUGH INTEGRAL END BENT



SECTION THROUGH BENT DIAPHRAGM

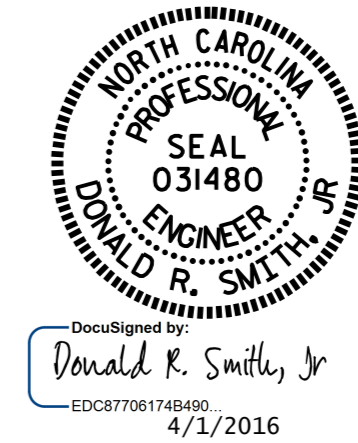


PLAN OF GIRDER



BENT DIAPHRAGM BLOCKOUT DETAIL

PROJECT NO. U-3308
 DURHAM COUNTY
 STATION: 23+00.86-LALT-
 SHEET 2 OF 2



STATE OF NORTH CAROLINA
 DEPARTMENT OF TRANSPORTATION
 RALEIGH
 SUPERSTRUCTURE
 TYPICAL SECTION
 DETAILS

DRAWN BY : P.S. ADKINS DATE : 4/16/14
 CHECKED BY : J.D. HAWK DATE : 5/29/14
 DESIGN ENGINEER OF RECORD: D.R. SMITH DATE : 11/3/14

DOCUMENT NOT CONSIDERED
 FINAL UNLESS ALL
 SIGNATURES COMPLETED

REVISIONS						SHEET NO.
NO.	BY:	DATE:	NO.	BY:	DATE:	S2-6
1			3			TOTAL SHEETS
2			4			32