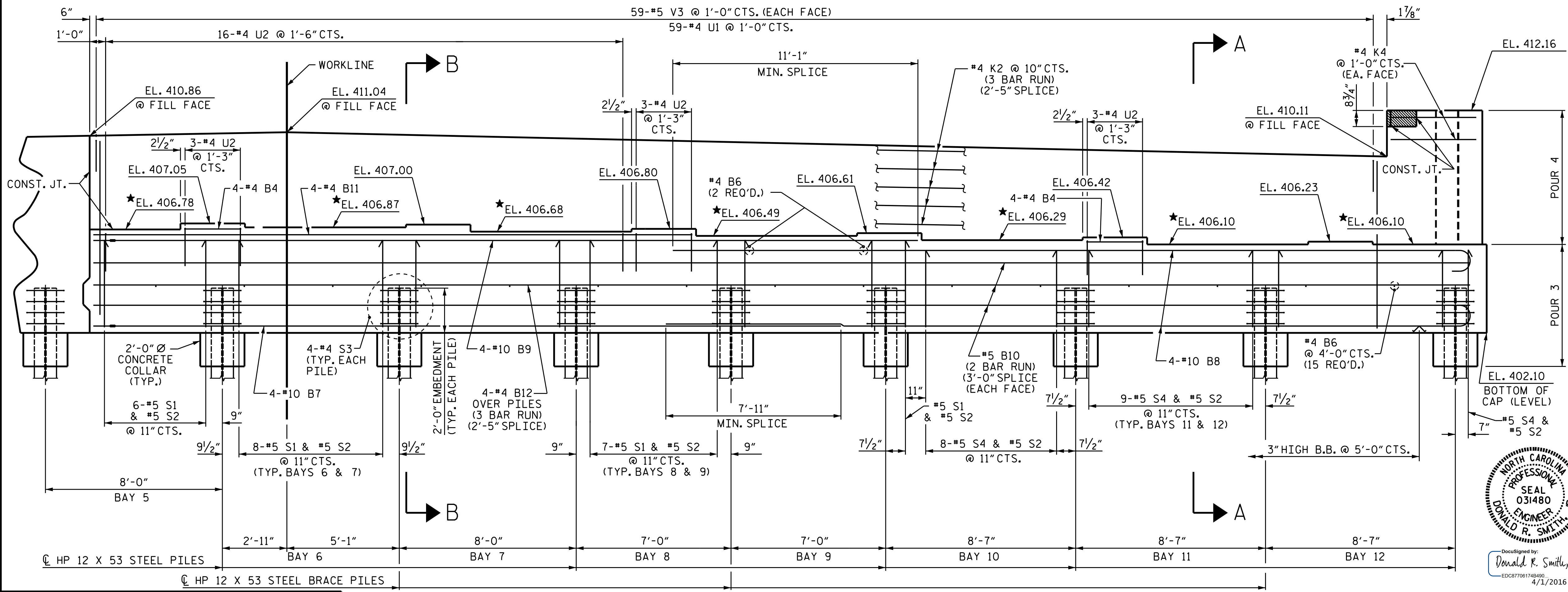


PLAN

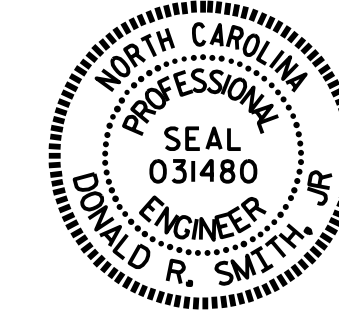


ELEVATION

\* FOR LOCATION OF ELEVATIONS BETWEEN BRIDGE SEAT BUILDUPS, SEE SECTION A-A OR B-B ON SHEET 4 OF 4.

PROJECT NO. U-3308  
 DURHAM COUNTY  
 STATION: 16+42.70-LALT-

SHEET 2 OF 4



STATE OF NORTH CAROLINA  
 DEPARTMENT OF TRANSPORTATION  
 RALEIGH

SUBSTRUCTURE  
 END BENT 2

STAGE II

DRAWN BY: P.S. ADKINS DATE: 11/18/14  
 CHECKED BY: J.D. HAWK DATE: 11/20/14  
 DESIGN ENGINEER OF RECORD: H. LOCKLEAR DATE: 12/17/14

DOCUMENT NOT CONSIDERED  
 FINAL UNLESS ALL  
 SIGNATURES COMPLETED

REVISIONS						SHEET NO.
NO.	BY:	DATE:	NO.	BY:	DATE:	S1-40
1			3			TOTAL SHEETS
2			4			47