

NOTES

STIRRUPS IN CAP MAY BE SHIFTED AS NECESSARY TO CLEAR ANCHOR BOLTS.

INSTALL THE 4" DIA. DRAIN PIPE THROUGH THE WING WALL AS REQUIRED FOR REINFORCED BRIDGE APPROACH FILLS. SEE THE ROADWAY PLANS. REINFORCING STEEL IN THE WING WALL MAY BE SHIFTED AS NECESSARY TO CLEAR THE DRAIN PIPE.

BACKWALL SHALL BE PLACED BEFORE APPLYING THE EPOXY PROTECTIVE COATING.

THE TOP SURFACE AREAS OF THE END BENT CAPS SHALL BE CURED IN ACCORDANCE WITH THE STANDARD SPECIFICATIONS EXCEPT THE MEMBRANE CURING COMPOUND METHOD SHALL NOT BE USED.

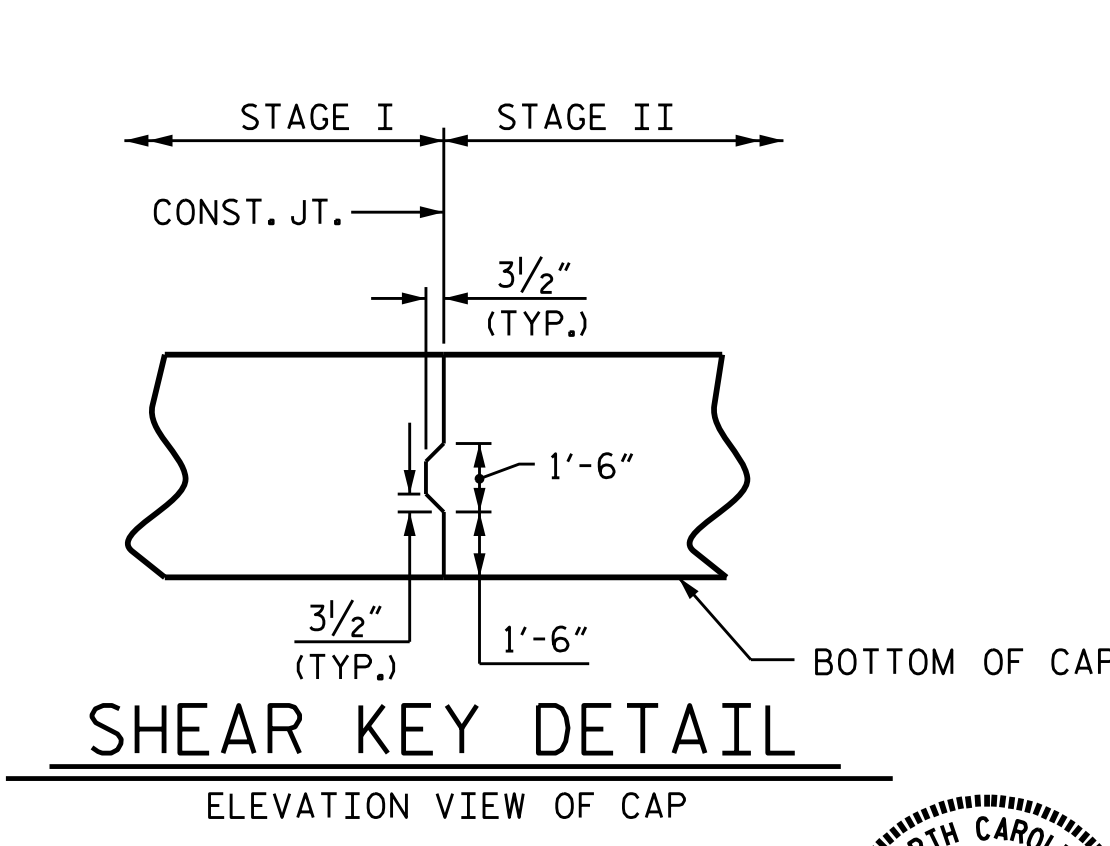
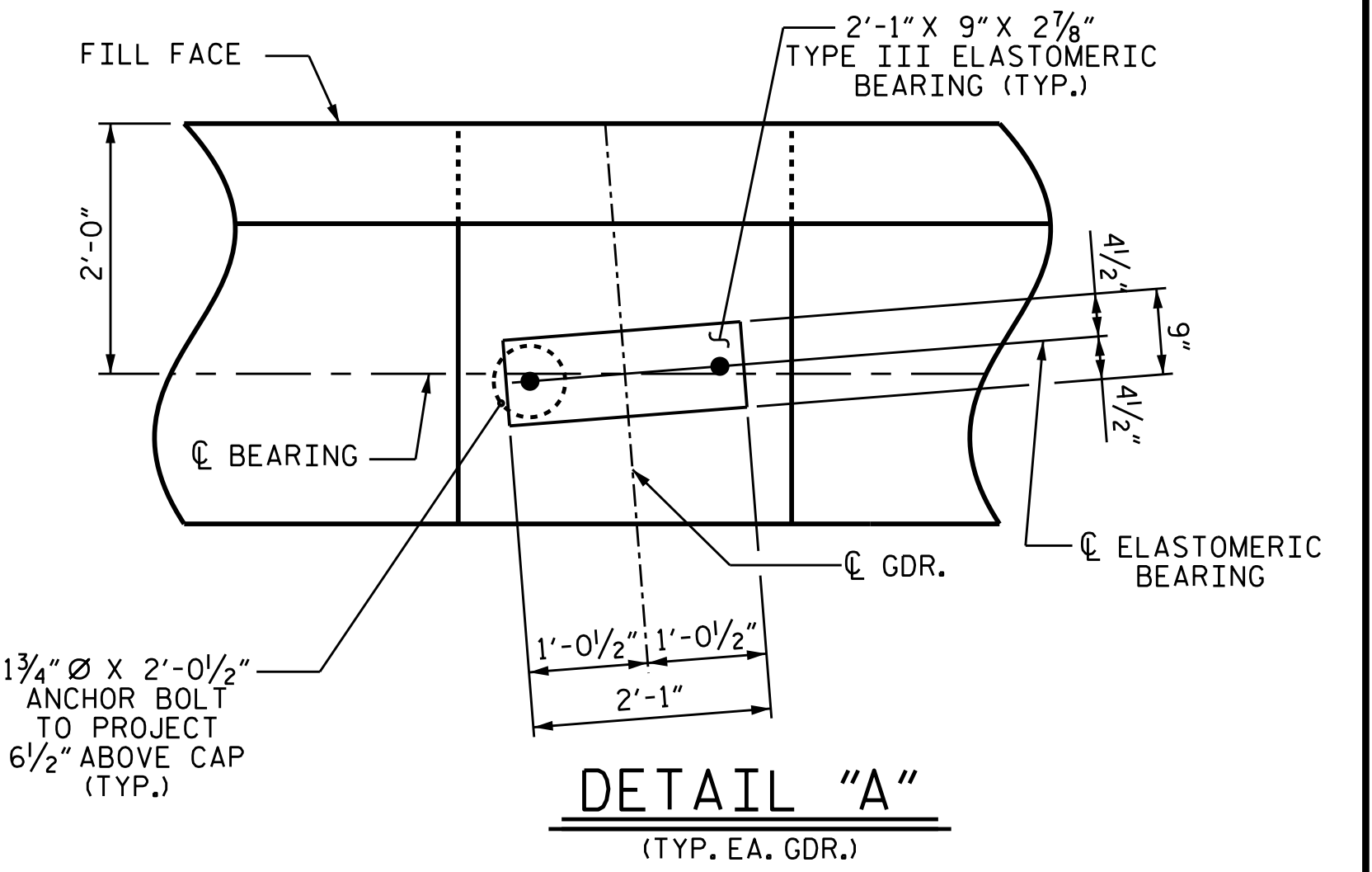
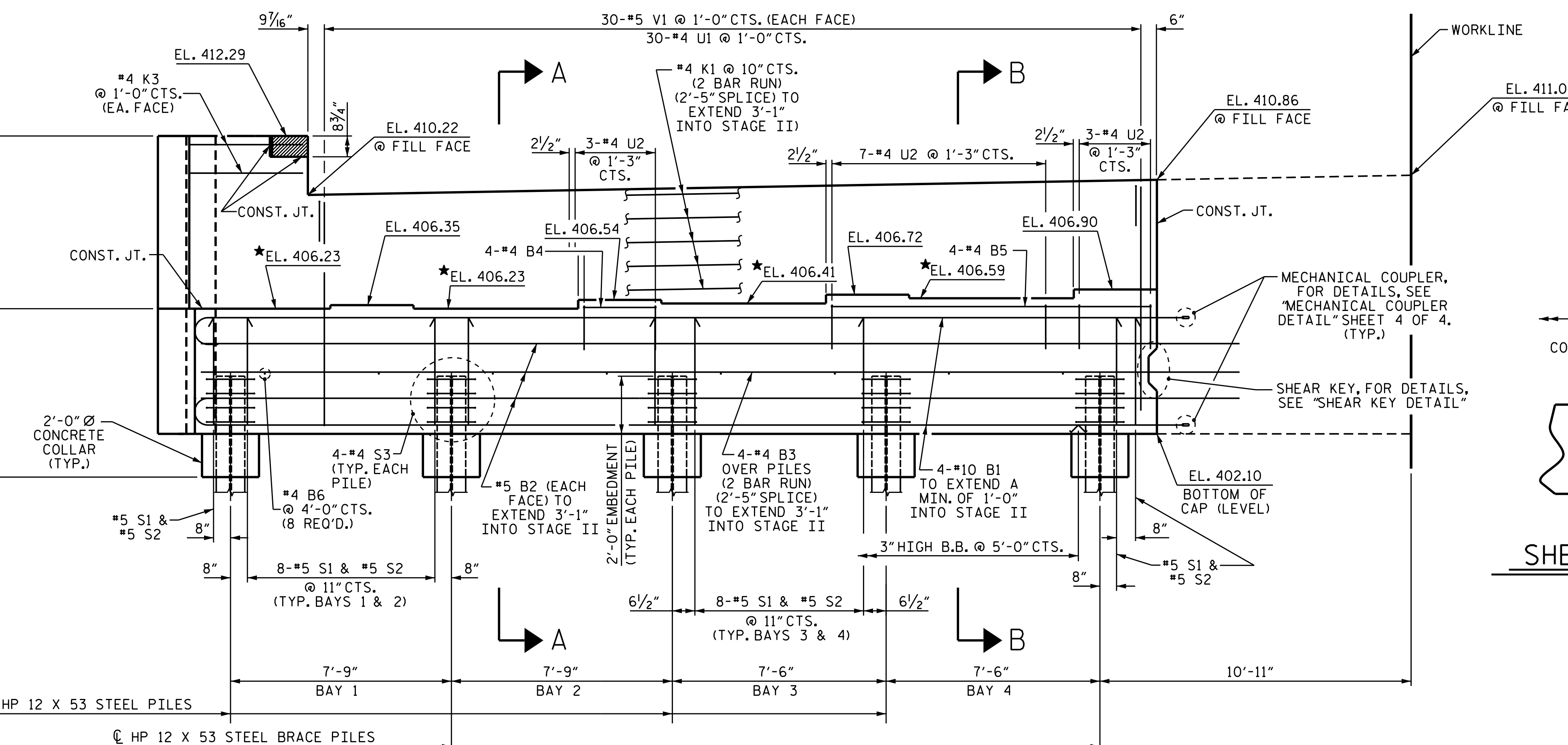
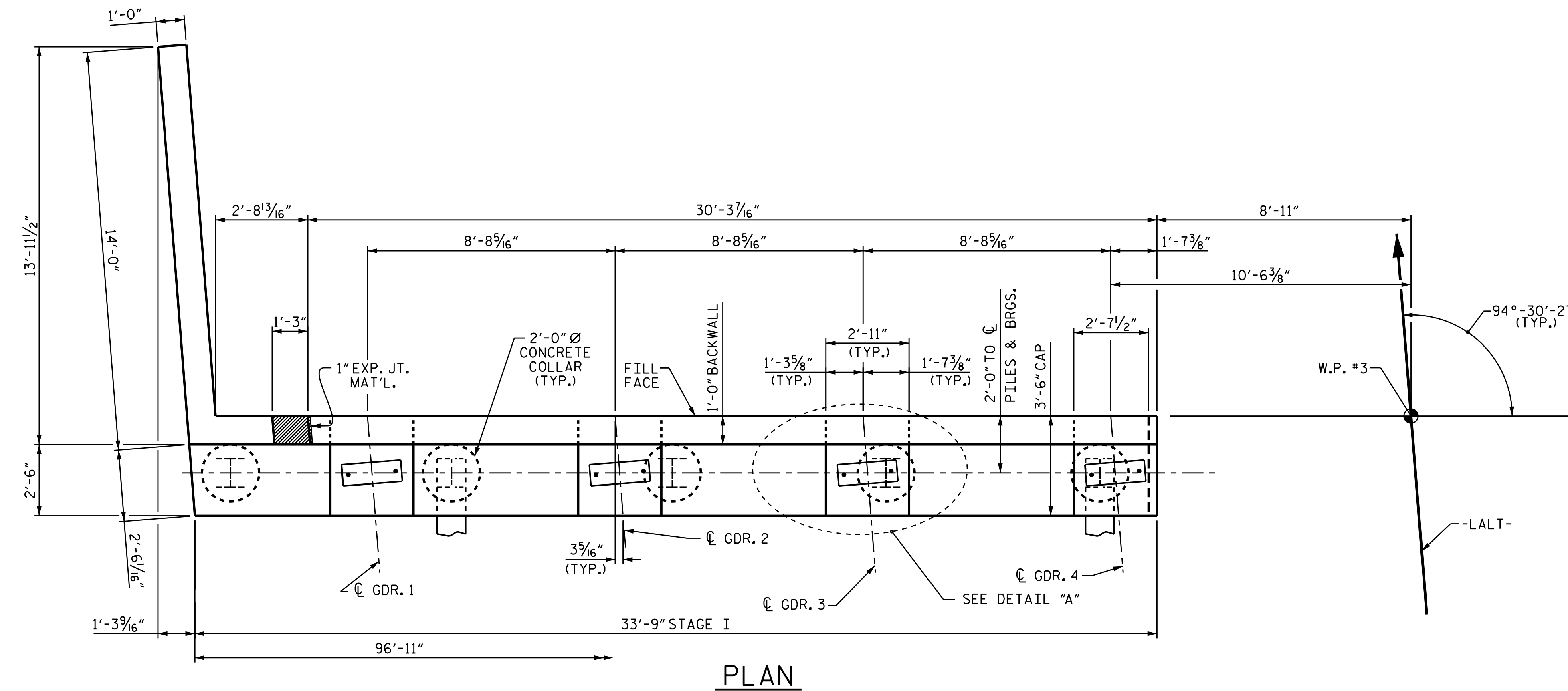
THE TOP SURFACE OF THE END BENT CAP EXCEPT THE BRIDGE SEAT BUILDUPS SHALL BE SLOPED TRANSVERSELY FROM THE FILL FACE TO THE BACK FACE AT THE RATE OF 2%.

THE CONCRETE IN THE SHADED AREA OF THE WING SHALL BE POURED AFTER THE JOINT BETWEEN THE DECK AND THE APPROACH SLAB HAS BEEN SAWED AND THE PARAPET AND END POST ARE CAST IF SLIP FORMING IS USED.

EPOXY COAT THE END BENT CAP AFTER ADJUSTMENTS ARE MADE TO BEARINGS.

THE #5 B2, #4 B3, AND #4 K1 THAT ARE EXTENDED INTO STAGE II MAY BE TEMPORARILY BENT OUT OF THE WAY IF THEY ARE IN CONFLICT AND BENT BACK INTO PLACE PRIOR TO POURING STAGE II.

THE #10 #B BARS SHALL BE LOCATED TO ENSURE ADEQUATE COVER IS PROVIDED TO THE MECHANICAL COUPLERS IN STAGE II.



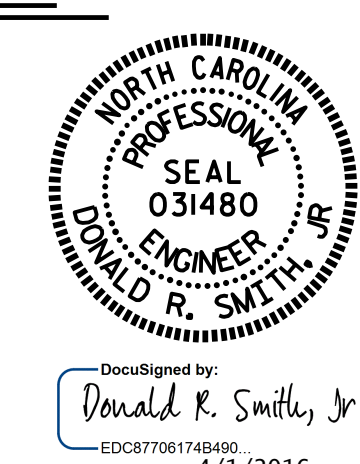
PROJECT NO. U-3308
DURHAM COUNTY
 STATION: 16+42.70-LALT-

SHEET 1 OF 4

STATE OF NORTH CAROLINA
 DEPARTMENT OF TRANSPORTATION
 RALEIGH

SUBSTRUCTURE
 END BENT 2

STAGE I



REVISIONS						SHEET NO.
NO.	BY:	DATE:	NO.	BY:	DATE:	S1-39
1			3			TOTAL SHEETS
2			4			47

DRAWN BY : P.S. ADKINS DATE : 11/18/14
 CHECKED BY : J.D. HAWK DATE : 11/20/14
 DESIGN ENGINEER OF RECORD : H. LOCKLEAR DATE : 12/17/14

* FOR LOCATION OF ELEVATIONS BETWEEN BRIDGE SEAT BUILDUPS, SEE SECTION A-A OR B-B ON SHEET 4 OF 4.

DOCUMENT NOT CONSIDERED FINAL UNLESS ALL SIGNATURES COMPLETED