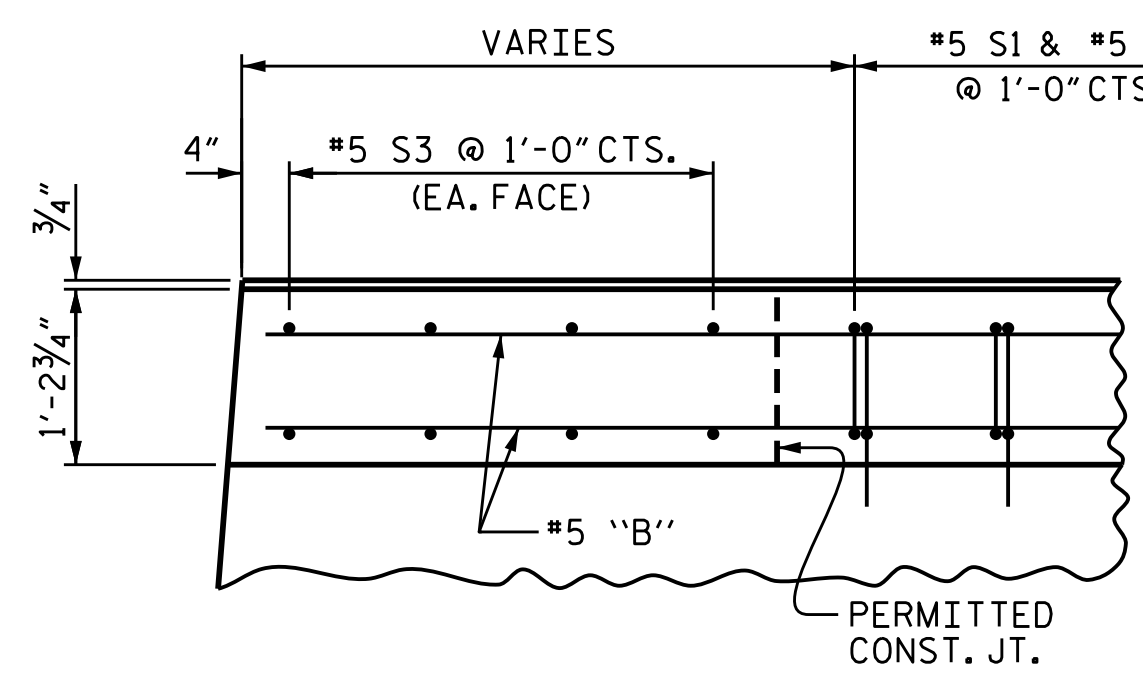
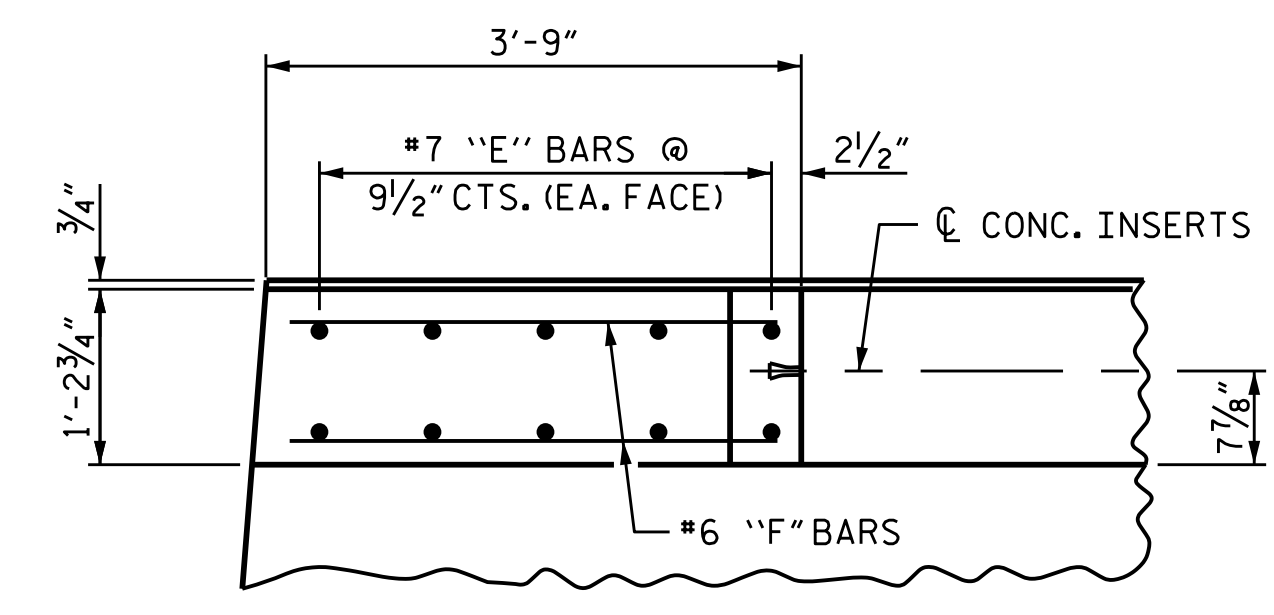


PLAN OF PARAPET

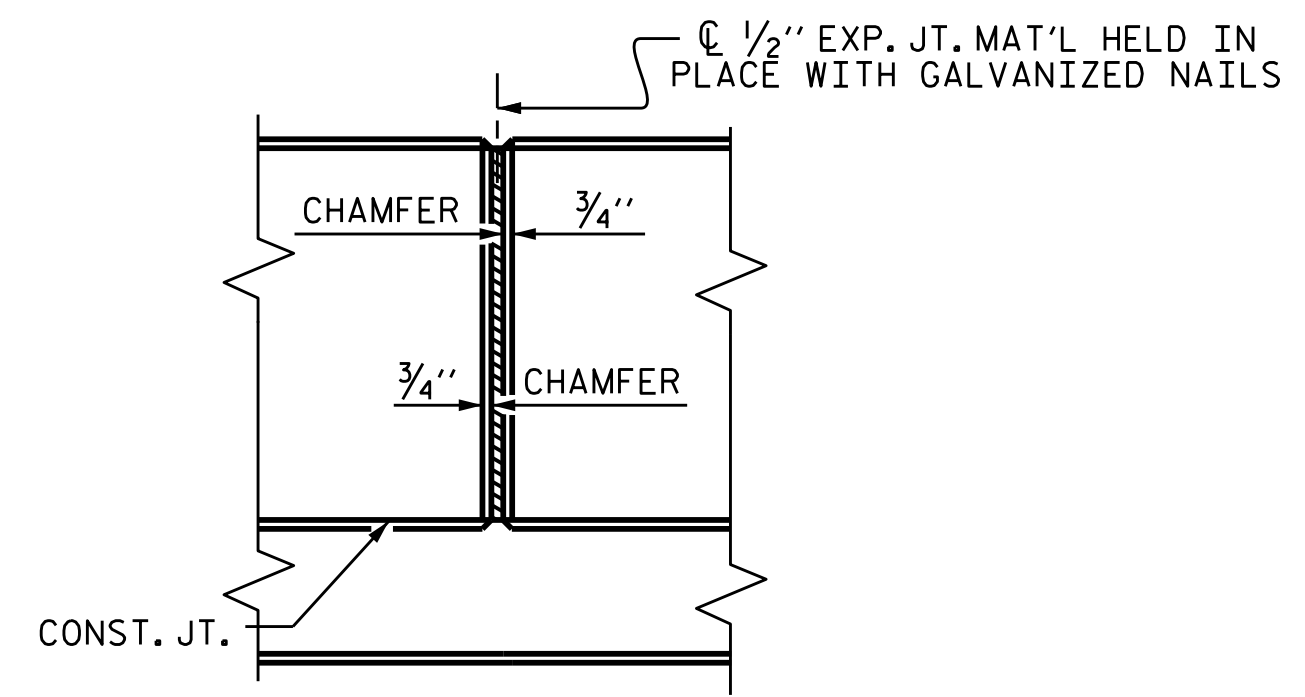
SIDEWALKS NOT SHOWN FOR CLARITY



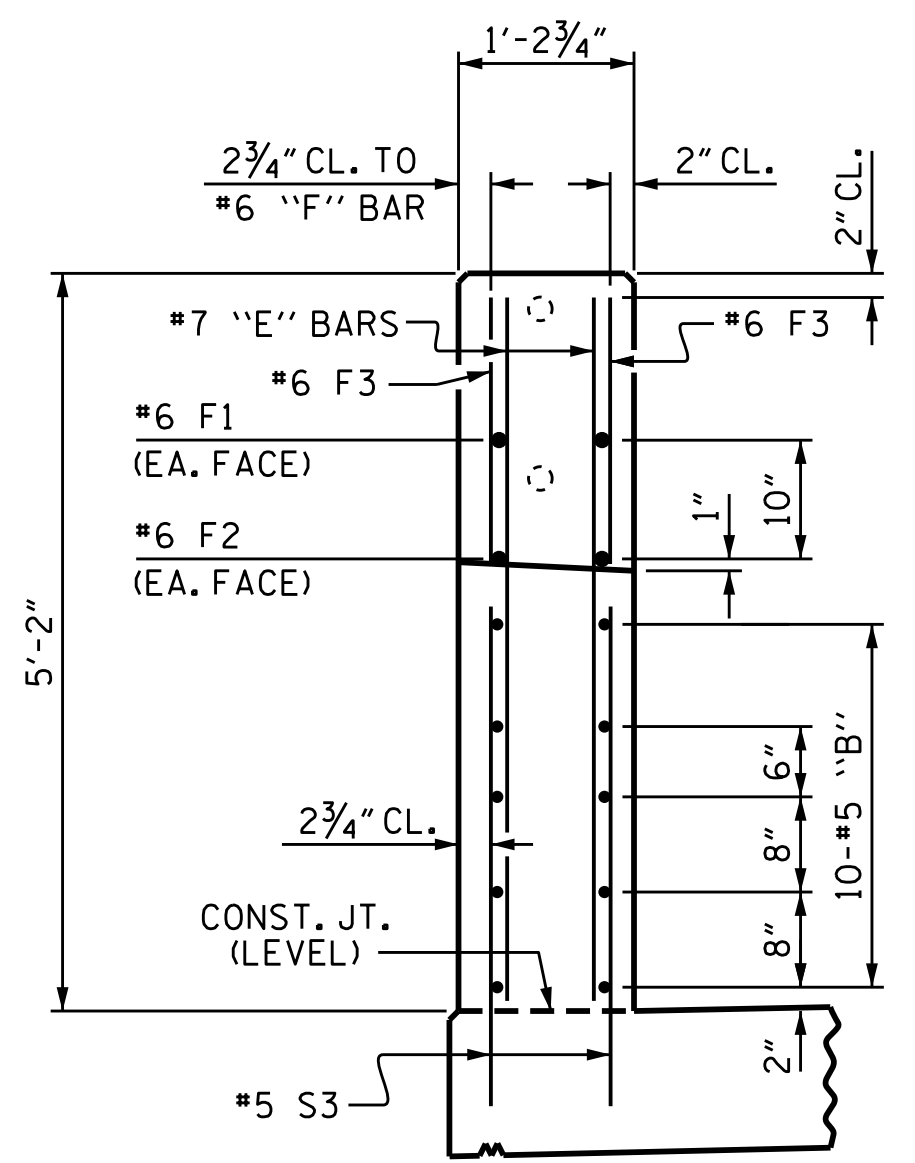
PLAN OF PARAPET



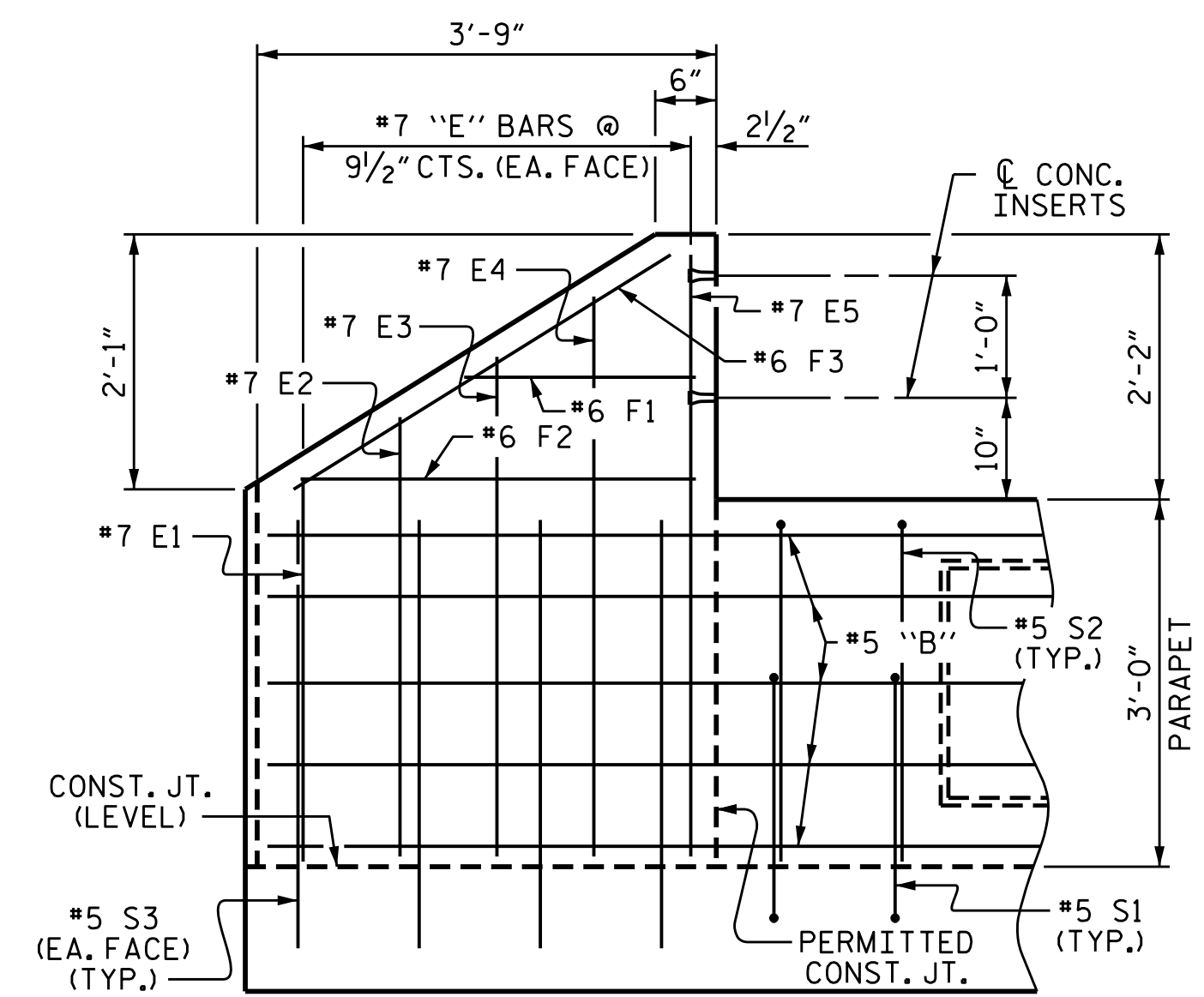
PLAN OF END POST



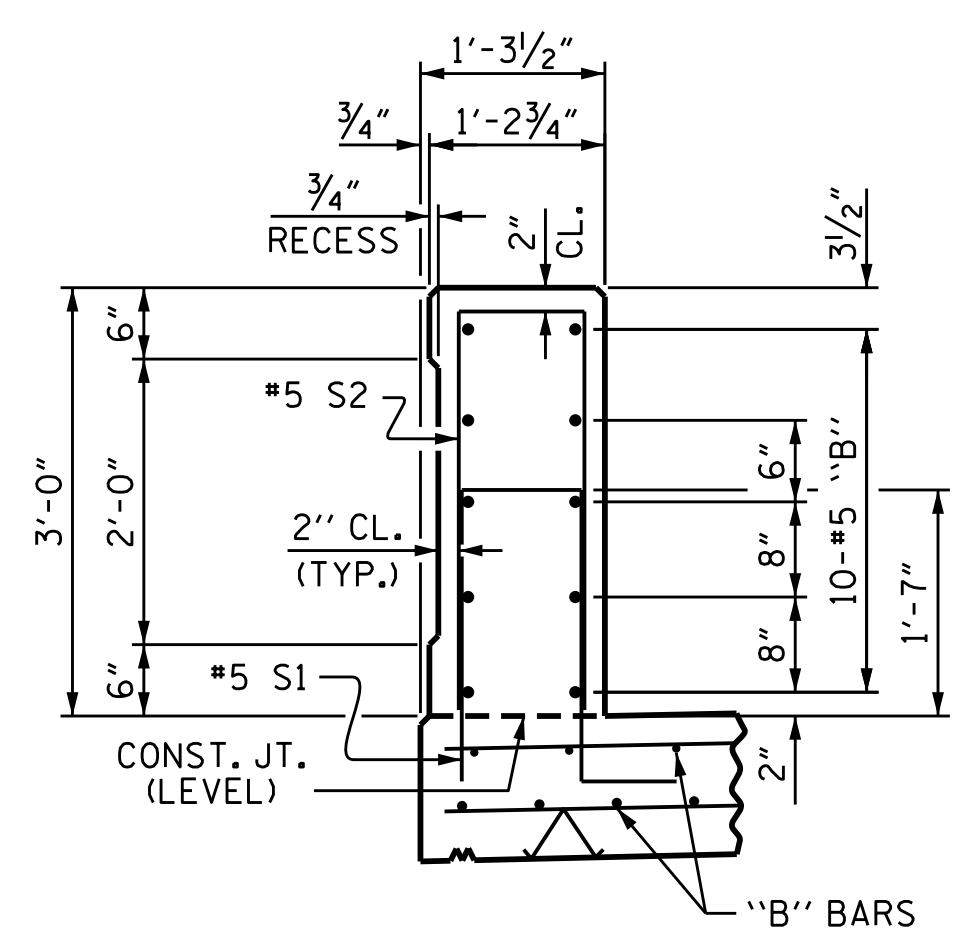
ELEVATION AT EXPANSION JOINTS



END VIEW



ELEVATION



**SECTION THROUGH PARAPET
PARAPET DETAILS**

NOTES

CONCRETE PARAPET IN A CONTINUOUS UNIT SHALL NOT BE CAST UNTIL ALL SLAB CONCRETE IN THE UNIT HAS BEEN CAST AND HAS REACHED A MINIMUM COMPRESSIVE STRENGTH OF 3,000 PSI.

WHEN FOAM JOINT SEAL IS REQUIRED, THE JOINT IN THE DECK SHALL BE SAWED PRIOR TO THE CASTING OF THE PARAPET.

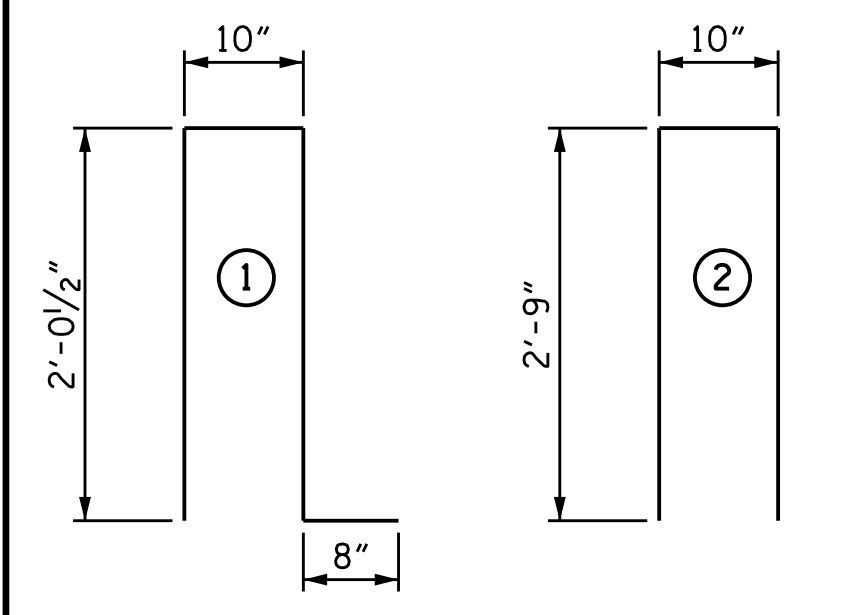
ALL REINFORCING STEEL IN THE PARAPETS AND END POSTS SHALL BE EPOXY COATED.

THE #5 S3 BARS SHALL BE INSTALLED, USING AN ADHESIVE ANCHORING SYSTEM, AFTER SAWING THE JOINT. THE YIELD LOAD FOR THE #5 S3 BARS IS 18.6 KIPS. FIELD TESTING FOR THE ADHESIVE BONDING SYSTEM IS NOT REQUIRED. AT THE CONTRACTOR'S OPTION, EACH PAIR OF #5 S3 BARS IN STAGE II MAY BE REPLACED WITH 1-#5 S1 & 1-#5 S2 PAIR.

FOR LOCATION OF GUARDRAIL ANCHOR ASSEMBLIES, SEE "GUARDRAIL ANCHORAGE DETAILS FOR METAL RAILS" SHEET.

GROOVED CONTRACTION JOINTS, 1/2" IN DEPTH, SHALL BE TOOLED IN ALL EXPOSED FACES OF THE PARAPET AND IN ACCORDANCE WITH ARTICLE 825-10(B) OF THE STANDARD SPECIFICATIONS. CONTRACTION JOINTS SHALL BE LOCATED 9 FEET ON EACH SIDE OF PARAPET EXPANSION JOINTS WITH NO MORE THAN 12 FEET BETWEEN CONTRACTION JOINTS. CONTRACTION JOINTS SHALL BE ALIGNED WITH RAIL POSTS SO AS TO NOT EXTEND THROUGH THE RECESSED PANELS.

BAR TYPES



BILL OF MATERIAL FOR PARAPET AND 2 END POSTS

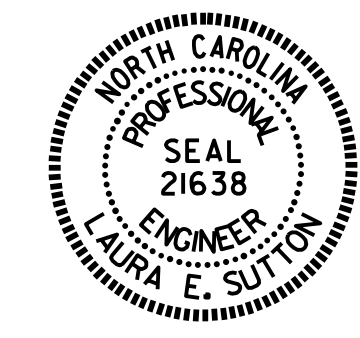
STAGE I OR STAGE II

BAR	NO.	SIZE	TYPE	LENGTH	WEIGHT
* B1	10	5	STR	25'-3"	263
* B2	40	5	STR	29'-7"	1234
* B3	10	5	STR	31'-11"	333
* E1	4	7	STR	3'-0"	25
* E2	4	7	STR	3'-6"	29
* E3	4	7	STR	4'-0"	33
* E4	4	7	STR	4'-6"	37
* E5	4	7	STR	4'-10"	40
* F1	4	6	STR	1'-10"	11
* F2	4	6	STR	3'-2"	19
* F3	4	6	STR	3'-7"	22
* S1	171	5	1	5'-7"	996
* S2	171	5	2	6'-4"	1130
* S3	16	5	STR	3'-6"	58

* EPOXY COATED REINFORCING STEEL	LBS.	4,230
CLASS AA CONCRETE	CU. YDS.	24.1
1'-2 3/4" X 3'-0" CONCRETE PARAPET	LIN. FT.	178.16

PROJECT NO. U-3308
DURHAM COUNTY
 STATION: 16+42.70-LALT-

SHEET 1 OF 2



STATE OF NORTH CAROLINA
 DEPARTMENT OF TRANSPORTATION
 RALEIGH
 SUPERSTRUCTURE
 CONCRETE PARAPET
 & END POST
 DETAILS

REVISIONS						SHEET NO.
NO.	BY:	DATE:	NO.	BY:	DATE:	S1-27
1			3			TOTAL SHEETS
2			4			47

DOCUMENT NOT CONSIDERED FINAL UNLESS ALL SIGNATURES COMPLETED

DRAWN BY: P.S. ADKINS DATE: 8/5/14
 CHECKED BY: L.E. SUTTON DATE: 9/24/14

SIDEWALK NOT SHOWN FOR CLARITY