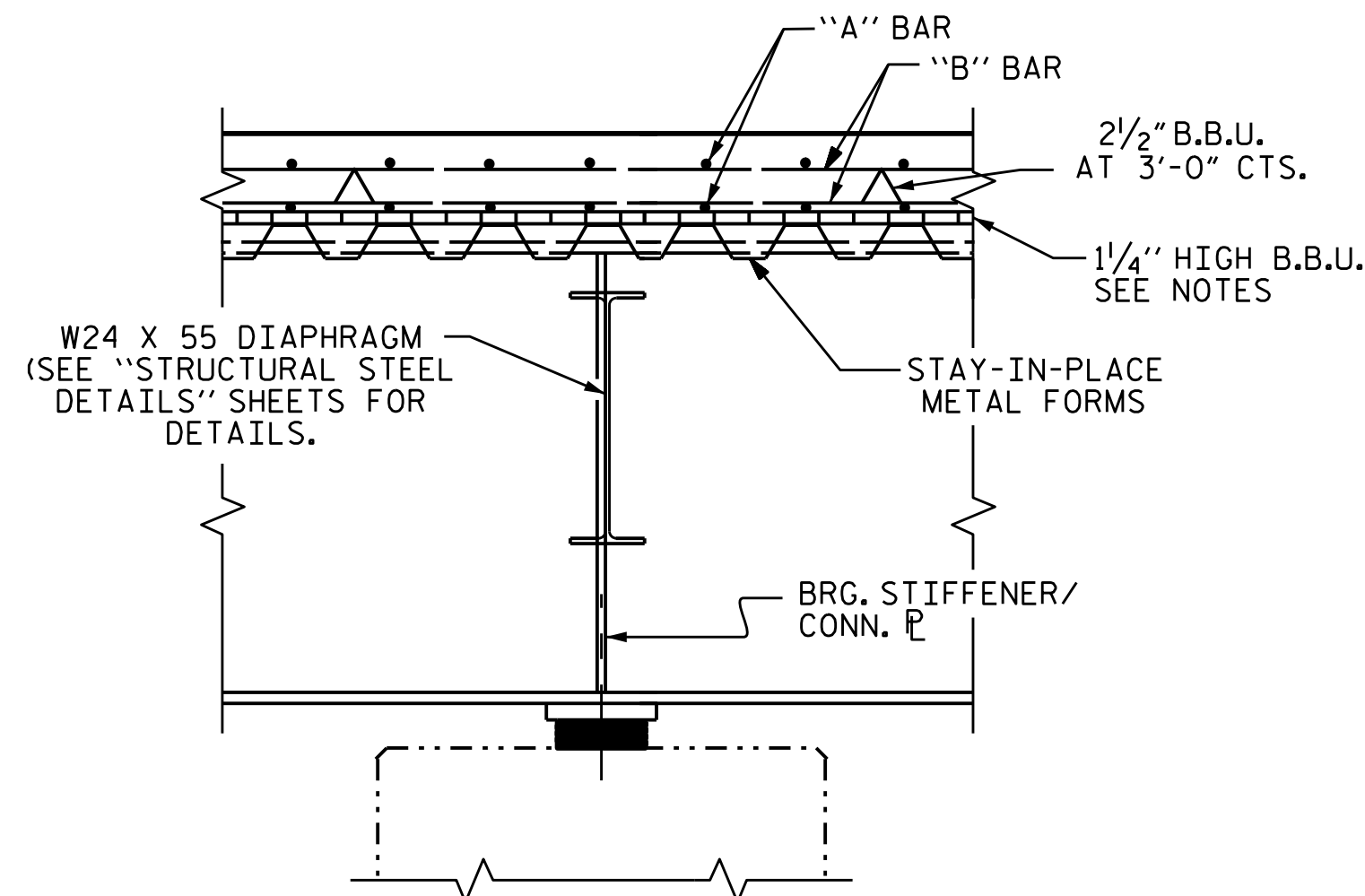
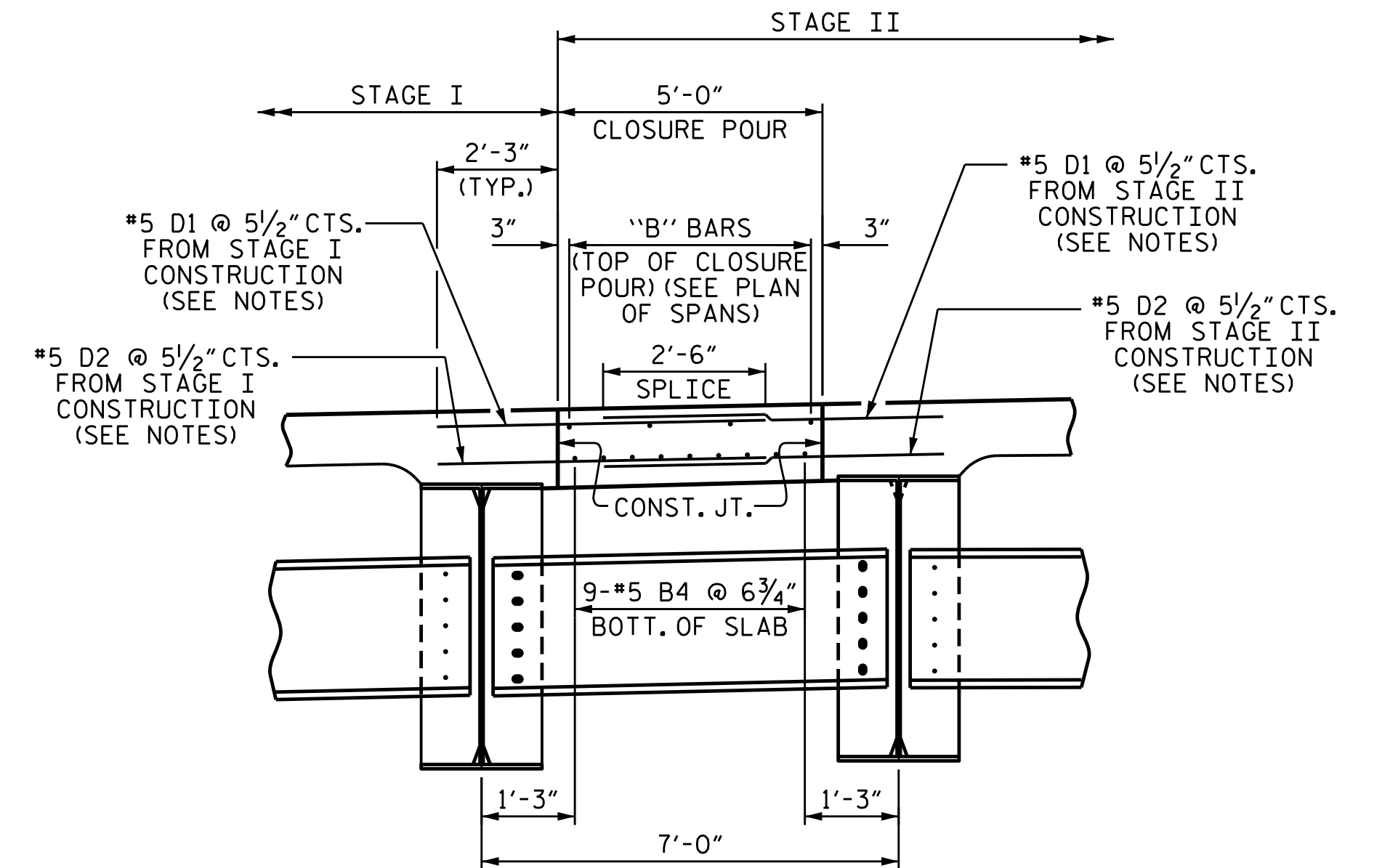


SECTION AT END BENT

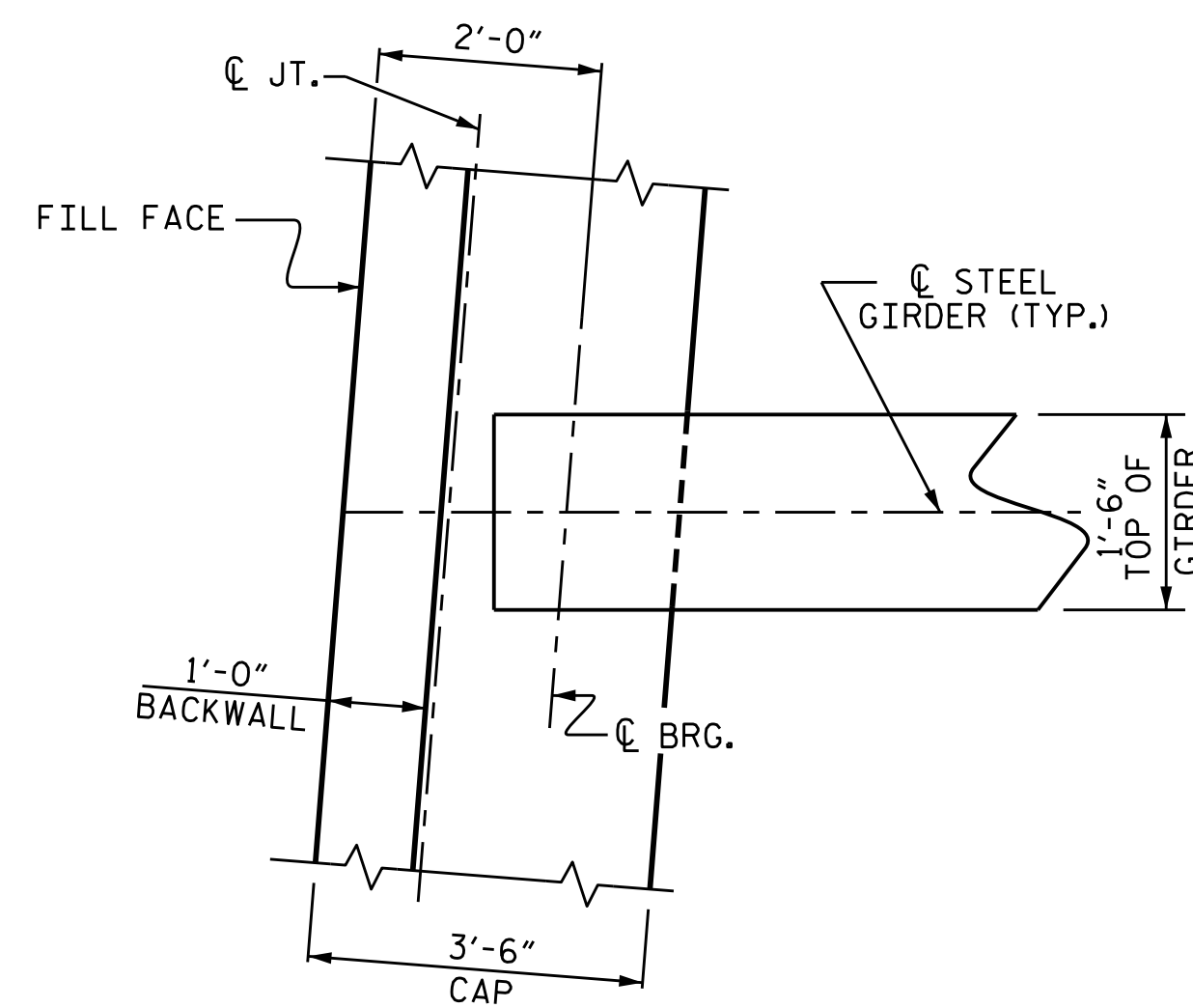
#5 'G' BAR MAY BE SHIFTED SLIGHTLY, AS NECESSARY, TO CLEAR DIAPHRAGM AND REINFORCING STEEL.



SECTION AT BENT



CLOSURE POUR DETAILS



@ END BENT

PLAN OF GIRDER

PROJECT NO. U-3308
DURHAM COUNTY
 STATION: 16+42.70-LALT-

SHEET 3 OF 3



DocuSigned by:
 Donald R. Smith, Jr.
 EDC87706174B490
 4/1/2016

STATE OF NORTH CAROLINA
 DEPARTMENT OF TRANSPORTATION
 RALEIGH
 SUPERSTRUCTURE
 TYPICAL SECTION
 DETAILS

DRAWN BY : P.S. ADKINS DATE : 5/28/14
 CHECKED BY : J.D. HAWK DATE : 9/5/14
 DESIGN ENGINEER OF RECORD: D.R. SMITH DATE : 11/22/14

DOCUMENT NOT CONSIDERED
 FINAL UNLESS ALL
 SIGNATURES COMPLETED

REVISIONS						SHEET NO.
NO.	BY:	DATE:	NO.	BY:	DATE:	S1-9
1			3			TOTAL SHEETS
2			4			47