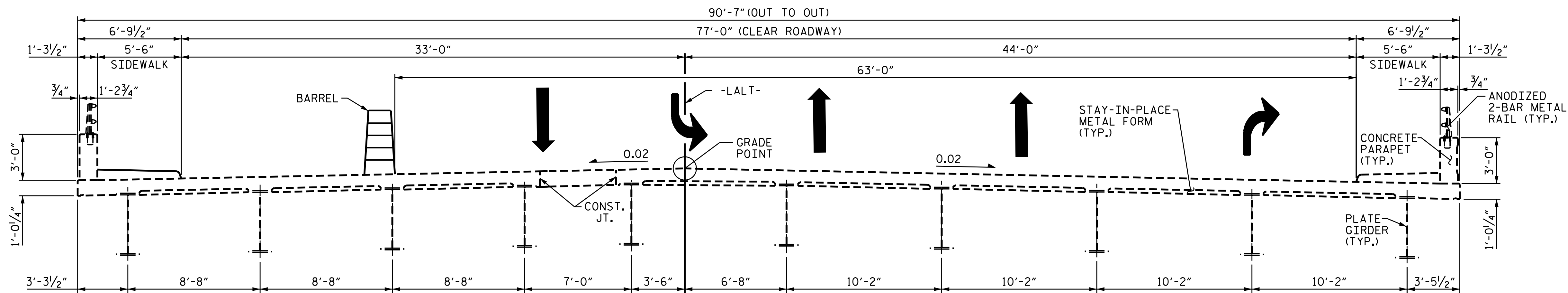


EXISTING STAGE I

PROPOSED STAGE II

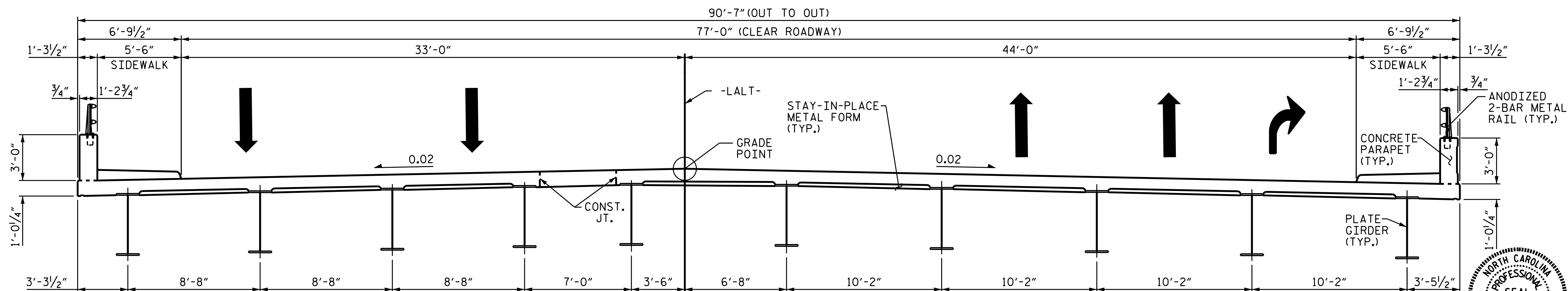
STAGE II

SHIFT 2-WAY TRAFFIC TO NEW STRUCTURE.
COMPLETELY REMOVE THE REST OF THE EXISTING STRUCTURE.
CONSTRUCT STAGE II OF PROPOSED BRIDGE.



STAGE III

AFTER STAGE II CONSTRUCTION IS COMPLETE, REMOVE PORTABLE CONCRETE BARRIER.
SHIFT TRAFFIC TO FINAL PATTERN, EXCLUDING OUTSIDE SOUTHBOUND LANE.
INSTALL STAGE III SIDEWALK.

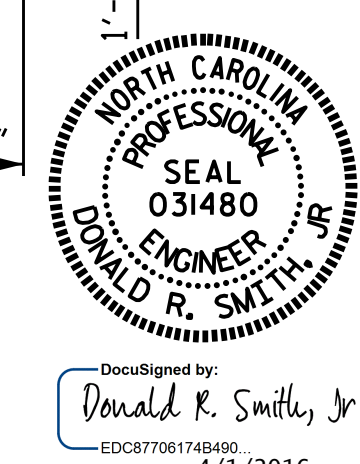


FINAL TYPICAL SECTION

REMOVE BARREL AND SHIFT TRAFFIC TO FINAL 2-WAY TRAFFIC PATTERN.

PROJECT NO. U-3308
DURHAM COUNTY
STATION: 16+42.70-LALT-

SHEET 2 OF 2



STATE OF NORTH CAROLINA
DEPARTMENT OF TRANSPORTATION
RALEIGH

CONSTRUCTION SEQUENCE

DRAWN BY : P.S. ADKINS DATE : 11-1-14
CHECKED BY : T.H. CARROLL DATE : 11-15-14
DESIGN ENGINEER OF RECORD: D.R. SMITH DATE : 11-22-14

DOCUMENT NOT CONSIDERED
FINAL UNLESS ALL
SIGNATURES COMPLETED

REVISIONS						SHEET NO.
NO.	BY:	DATE:	NO.	BY:	DATE:	
1			3			S1-6
2			4			TOTAL SHEETS 47