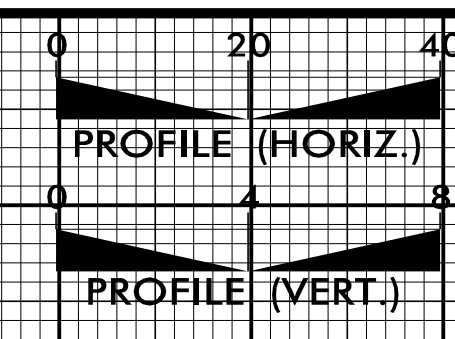
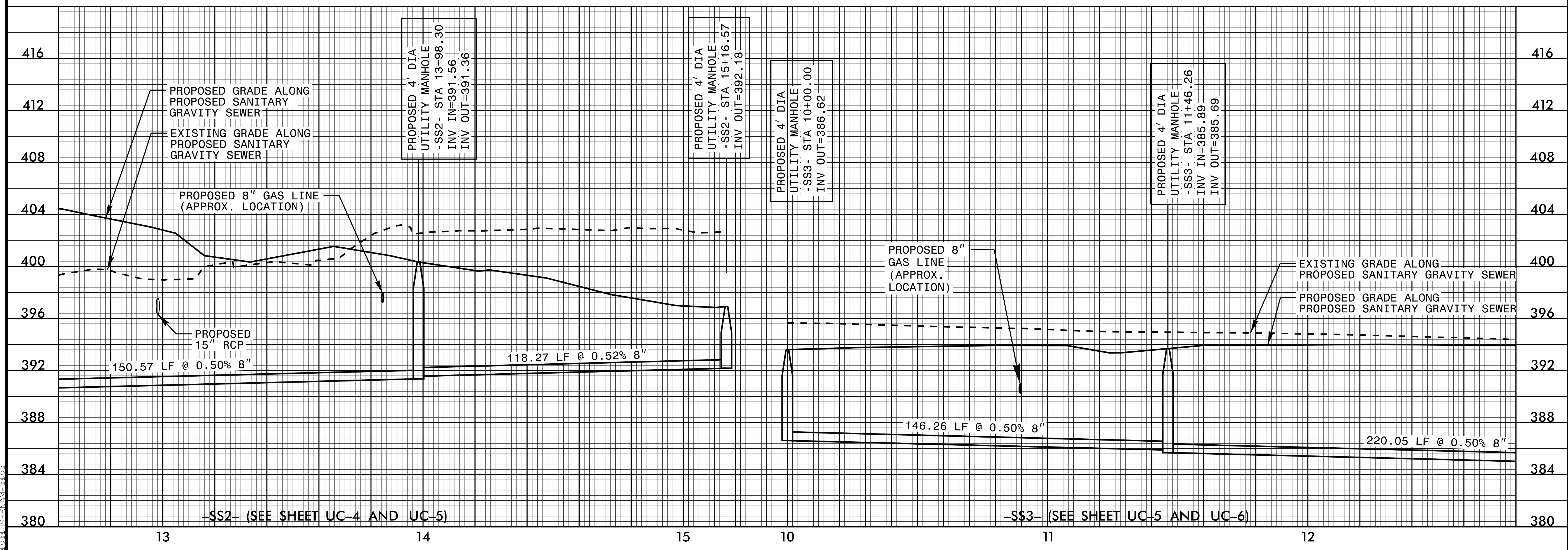
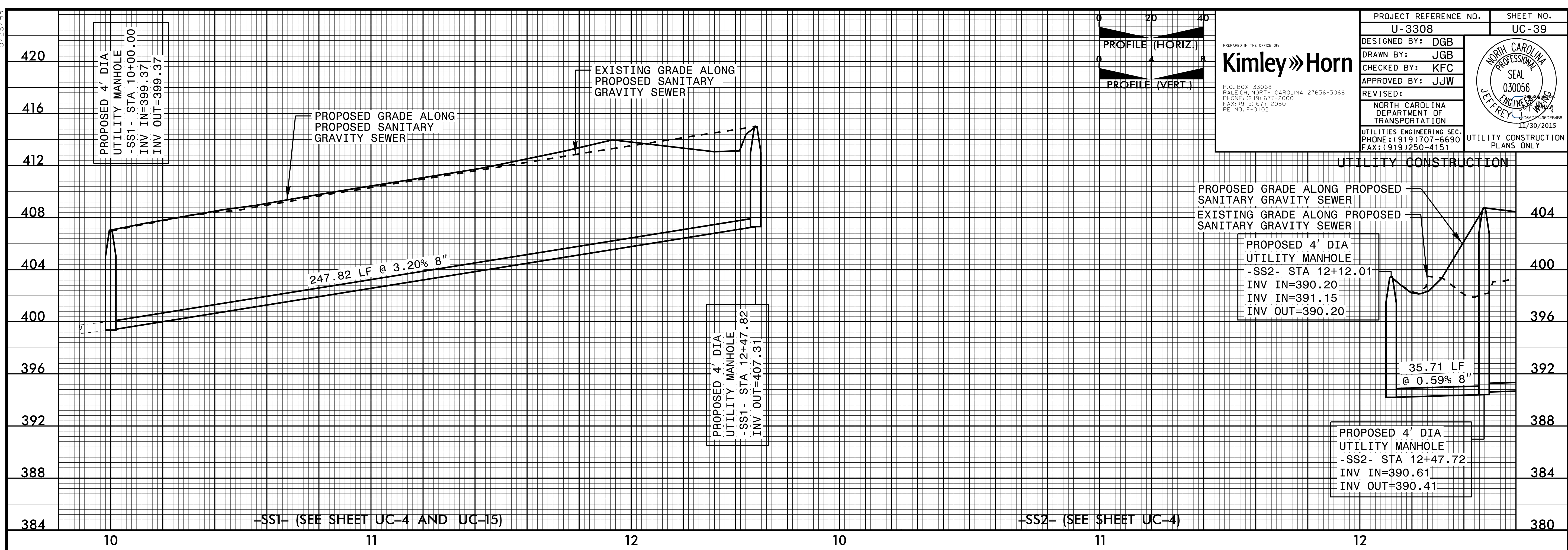


5/28/99



PROJECT REFERENCE NO. U-3308		SHEET NO. UC-39	
DESIGNED BY: DGB			
DRAWN BY: JGB			
CHECKED BY: KFC			
APPROVED BY: JJW			
REVISED:		NORTH CAROLINA DEPARTMENT OF TRANSPORTATION	
UTILITIES ENGINEERING SEC.		UTILITY CONSTRUCTION PLANS ONLY	
PHONE: (919) 707-6690			
FAX: (919) 250-4151			

PREPARED IN THE OFFICE OF:
Kimley»Horn
P.O. BOX 33068
RALEIGH, NORTH CAROLINA 27636-3068
PHONE: (919) 677-2000
FAX: (919) 677-2050
PE NO. P-0102



5/28/99