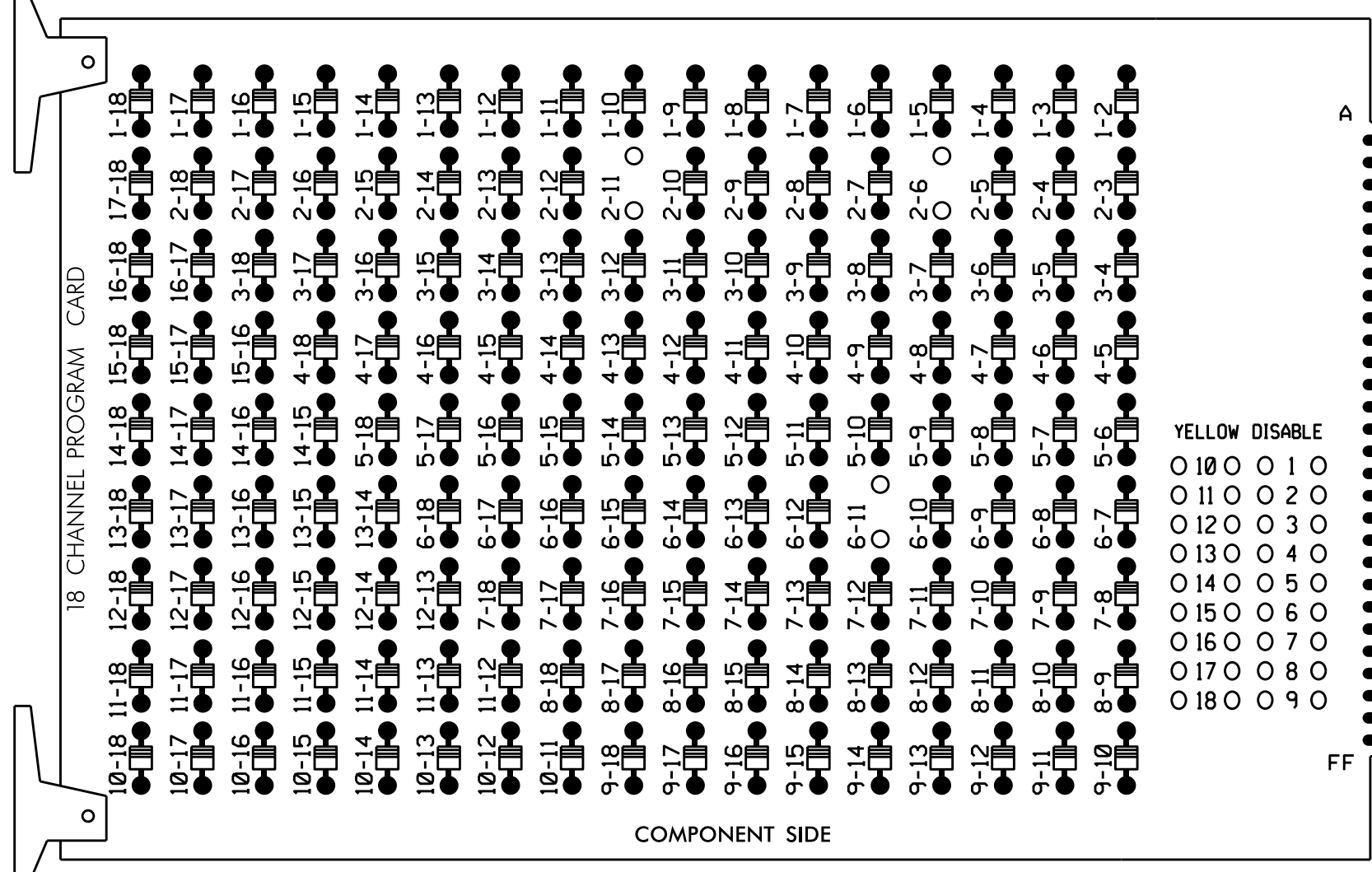


EDI MODEL 2018ECL-NC CONFLICT MONITOR PROGRAMMING DETAIL

(remove jumpers and set switches as shown)

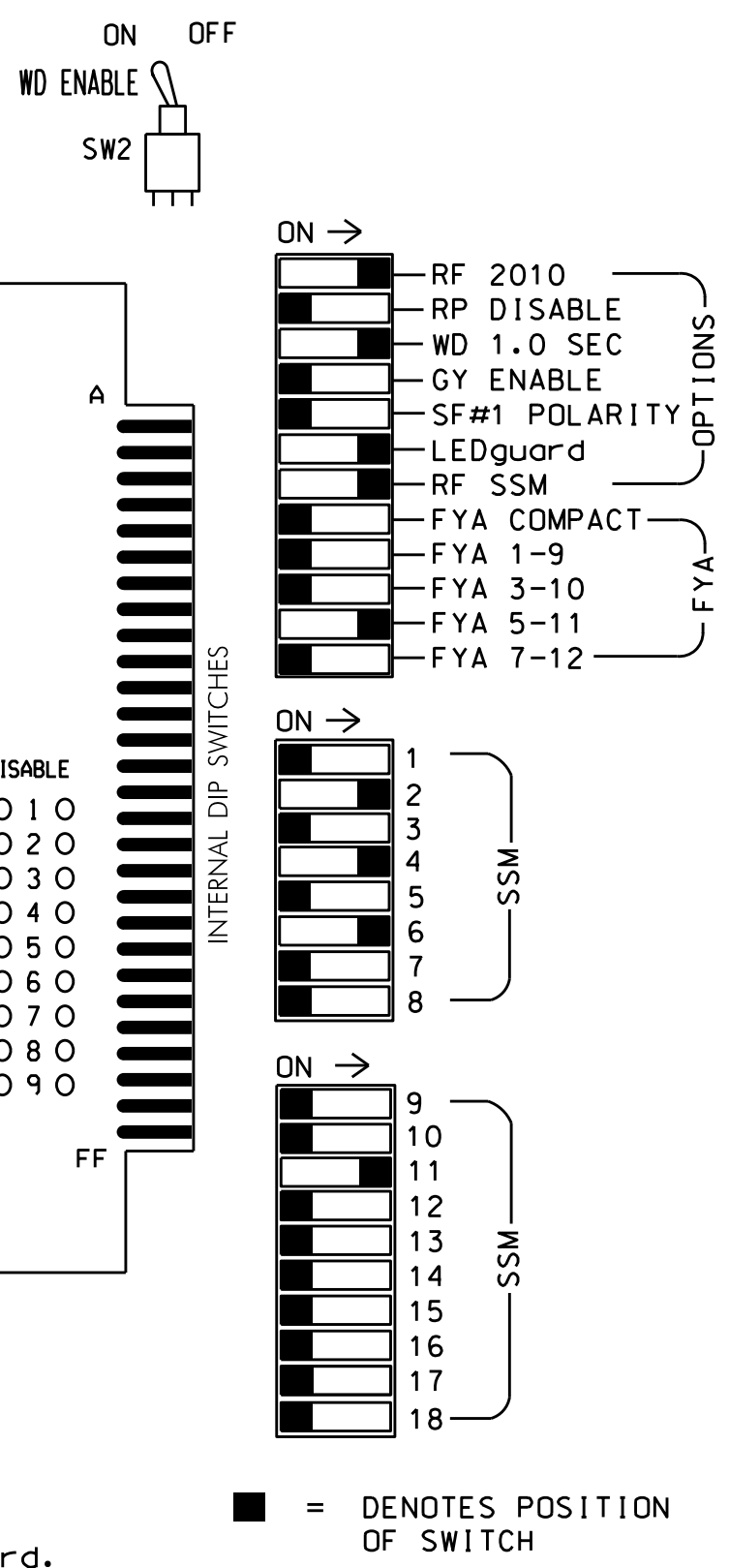
REMOVE DIODE JUMPERS 2-6, 2-11 and 6-11.



REMOVE JUMPERS AS SHOWN

NOTES:

1. Card is provided with all diode jumpers in place. Removal of any jumper allows its channels to run concurrently.
2. Ensure jumpers SEL2-SEL5 and SEL9 are present on the monitor board.
3. Ensure that Red Enable is active at all times during normal operation.
4. Ensure conflict monitor communicates with 2070.



■ = DENOTES POSITION OF SWITCH

NOTES

1. To prevent "flash-conflict" problems, insert red flash program blocks for all unused vehicle load switches in the output file. Verify that signal heads flash in accordance with the signal plans.
2. Program controller to Start Up in phases 2 and 6 green.
3. Set power-up flash time to 0 seconds within the controller programming. The conflict monitor will govern startup flash. Ensure STARTUP "RED START" is set to 0 seconds.
4. Enable Simultaneous Gap-Out feature for all phases.
5. Program all timing information into phase banks 1, 2, and 3 unless otherwise noted.
6. Set phase bank 3 maximum limit to 250 seconds for phases used.
7. Ensure start up flash phases are coordinated with flash program block assignments.
8. Set the Red Revert interval on the controller to 1 second.
9. This cabinet and controller are part of the Durham Signal System.

EQUIPMENT INFORMATION

CONTROLLER.....2070E
 CABINET.....332 W/ AUX
 SOFTWARE.....McCain 2033
 CABINET MOUNT.....BASE
 OUTPUT FILE POSITIONS...18 WITH AUX FILE
 LOAD SWITCHES USED.....S2,S5,S8,AUX S4
 PHASES USED.....2,4,6
 OVERLAP 1.....NOT USED
 OVERLAP 2.....NOT USED
 OVERLAP 3.....2+6
 OVERLAP 4.....NOT USED

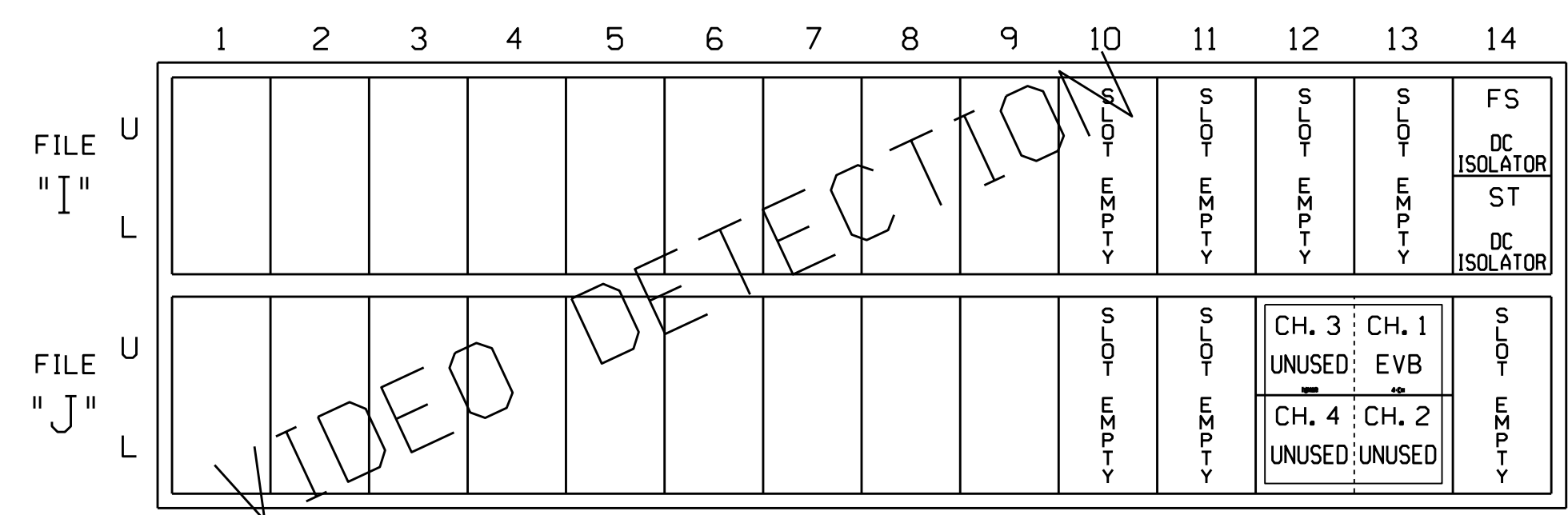
SIGNAL HEAD HOOK-UP CHART

LOAD SWITCH NO.	S1	S2	S3	S4	S5	S6	S7	S8	S9	S10	S11	S12	AUX S1	AUX S2	AUX S3	AUX S4	AUX S5	AUX S6	
CMU CHANNEL NO.	1	2	13	3	4	14	5	6	15	7	8	16	9	10	17	11	12	18	
PHASE	1	2	2 PED	3	4	4 PED	5	6	6 PED	7	8	8 PED	OL1	OL2	SPARE	OL3	OL4	SPARE	
SIGNAL HEAD NO.	NU	22,23	NU	NU	41,42	NU	NU	61,62	NU	NU	NU	NU	NU	NU	NU	21	NU	NU	
RED		128			101			134											
YELLOW		129			102			135											
GREEN		130			103			136											
RED ARROW																		A114	
YELLOW ARROW																			A115
FLASHING YELLOW ARROW																			A116
GREEN ARROW																			

NU = Not Used
 ★ See pictorial of head wiring in detail below.

INPUT FILE POSITION LAYOUT

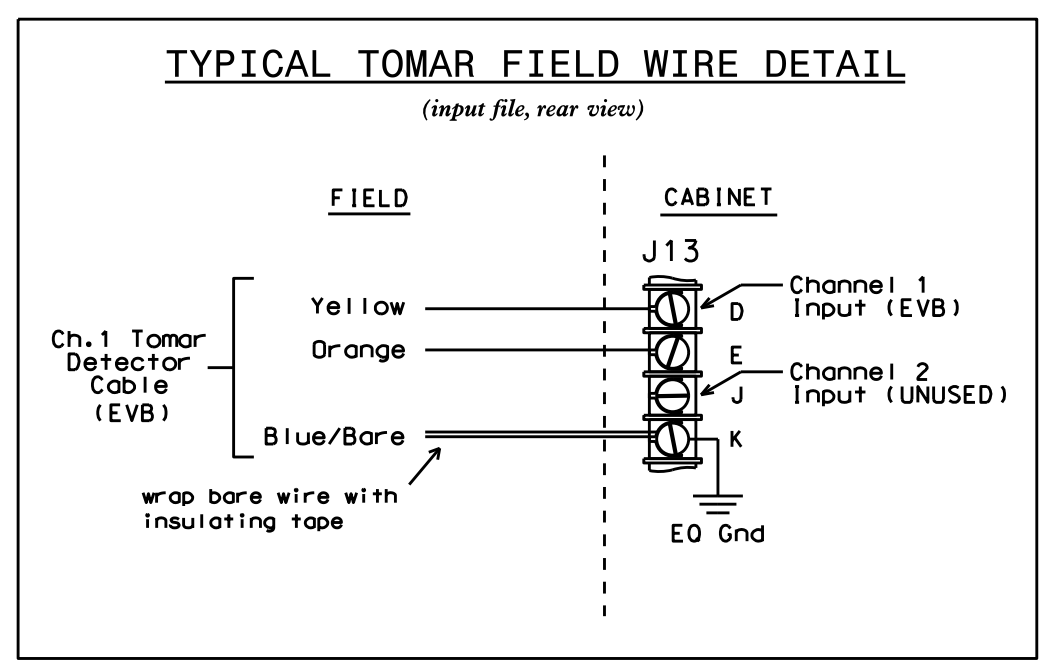
(front view)



EX.: 1A, 2A, ETC. = LOOP NO.'S

FS = FLASH SENSE
 ST = STOP TIME
 EVx = EMERGENCY VEHICLE PREEMPT

4 CHANNEL TOMAR OSP CARD
 INSERT CARD INTO SLOT J13

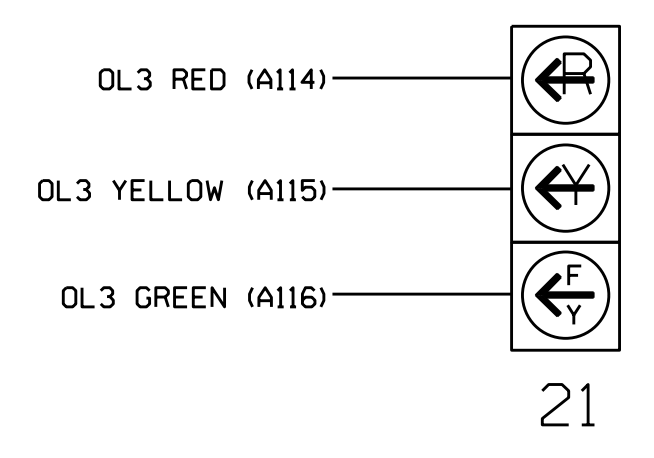


SPECIAL DETECTOR NOTE

Install a video detection system for vehicle detection. Perform installation according to manufacturer's directions and NCDOT engineer-approved mounting locations to accomplish the detection schemes shown on the Signal Design Plans.

FYA SIGNAL WIRING DETAIL

(wire signal heads as shown)



21

THIS ELECTRICAL DETAIL IS FOR THE SIGNAL DESIGN: 05-0228T1
 DESIGNED: September 2014
 SEALED: 04/02/2015
 REVISED: N/A

Electrical Detail - Temporary 1 - Sheet 1 of 2

ELECTRICAL AND PROGRAMMING DETAILS FOR: Prepared In the Offices of: 750 N. Greenfield Pkwy, Garner, NC 27529	NC 55 (North Alston Avenue) at Taylor Street		SEAL SEAL 022013 ENGINEER GEORGE C. BROWN
	Division 5 PLAN DATE: November 2014 PREPARED BY: C. Strickland	Durham County REVIEWED BY: T. Joyce REVIEWED BY:	

SIG. INVENTORY NO. 05-0228T1

27-AM05-2015 15-59
 S:\IT\SSM\115 - Signal\work\gpc\05-0228_sml_e.xxx.dgn
 GCSH\TCK\land