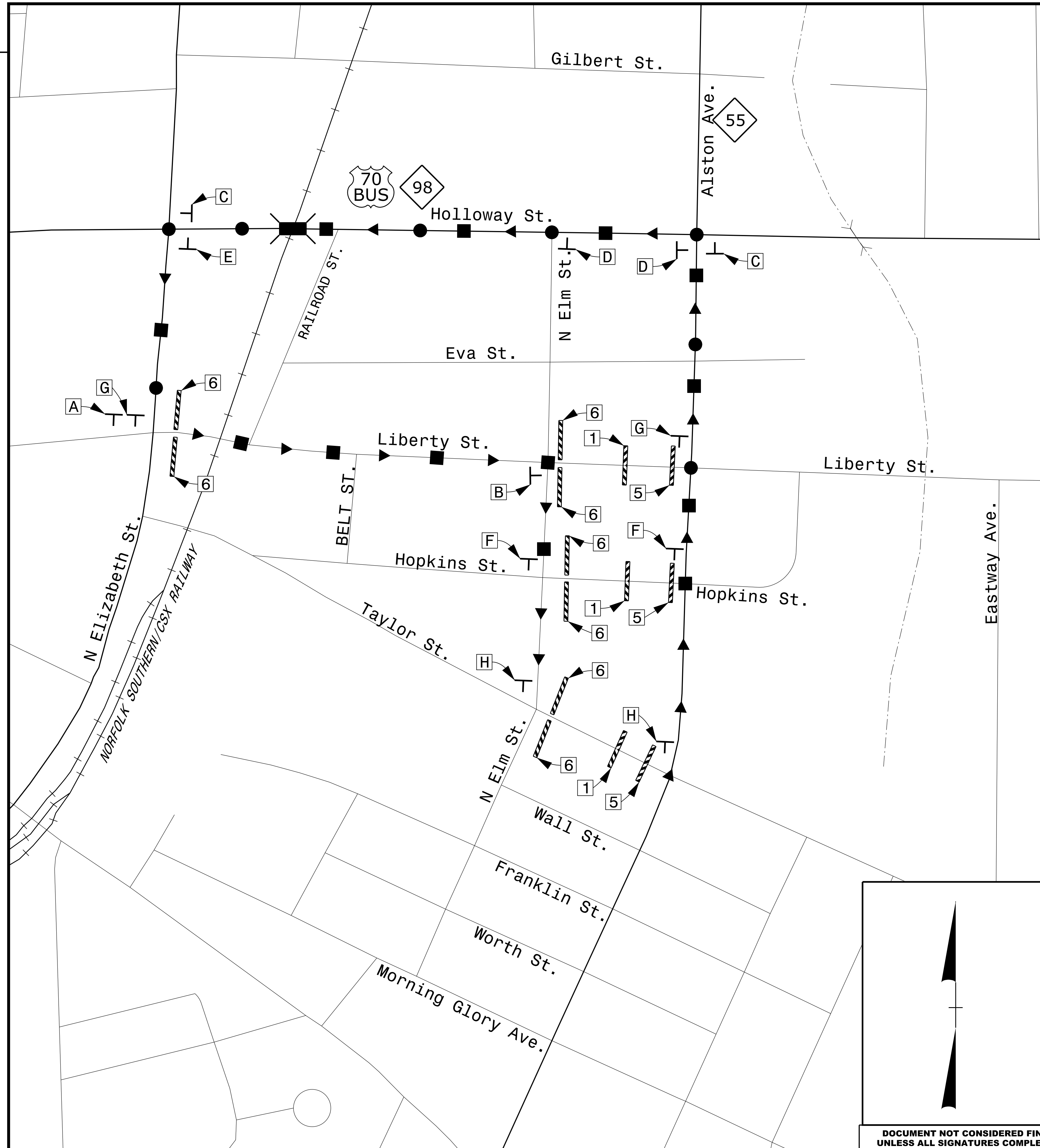
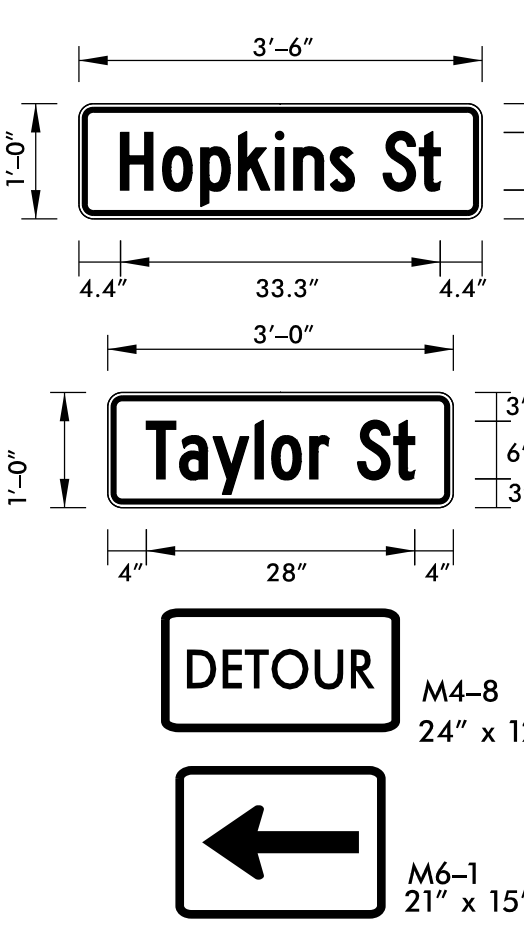
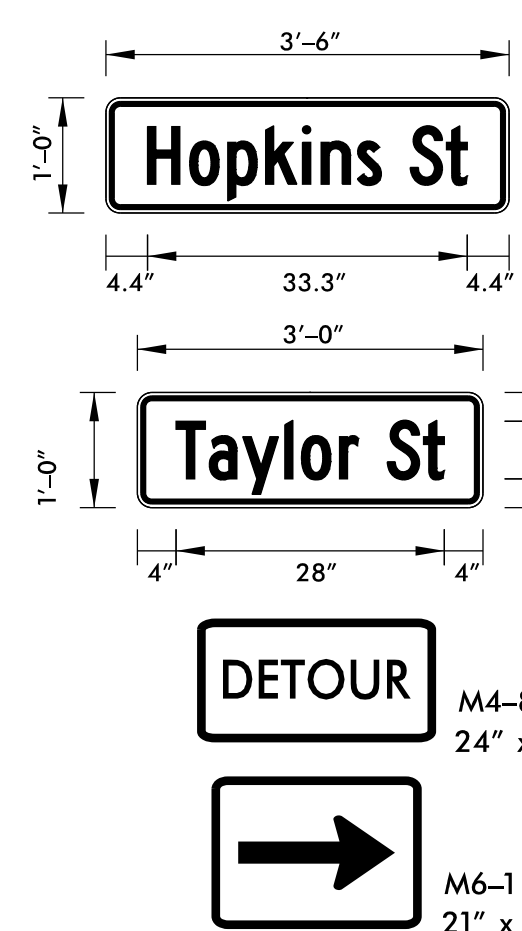
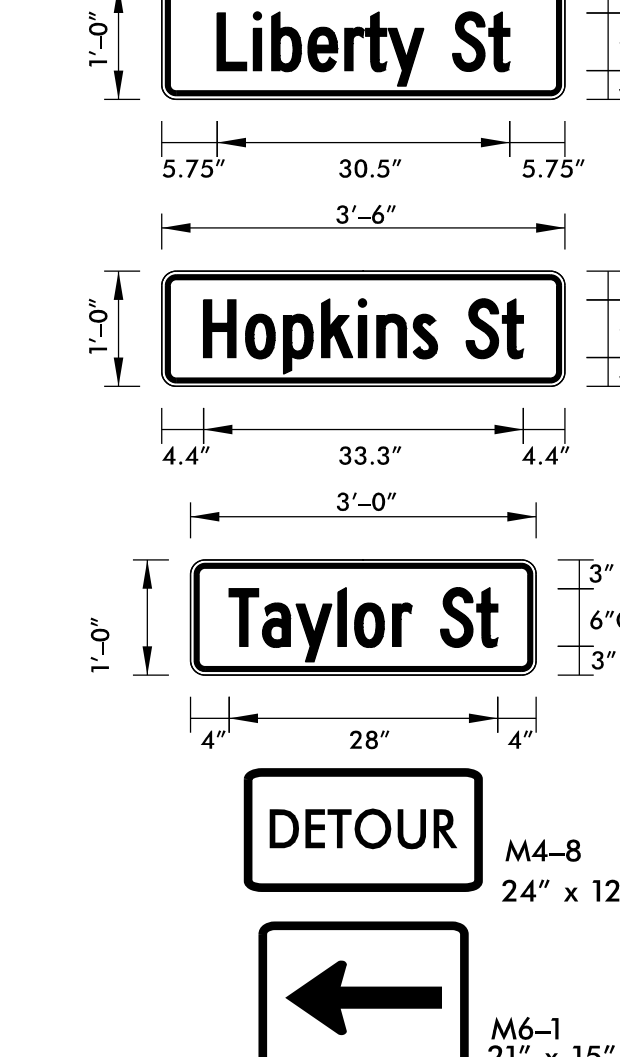
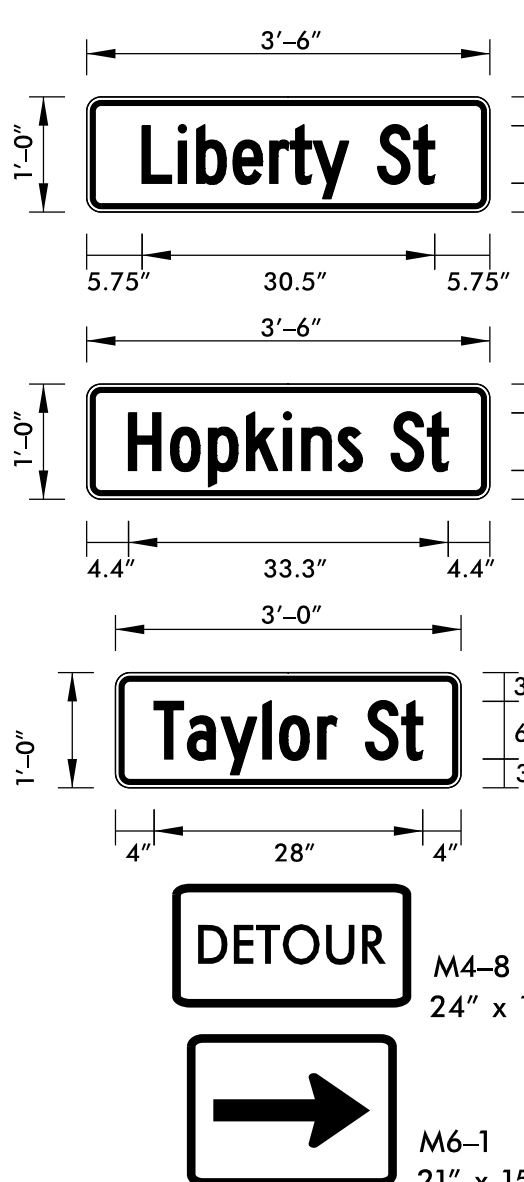
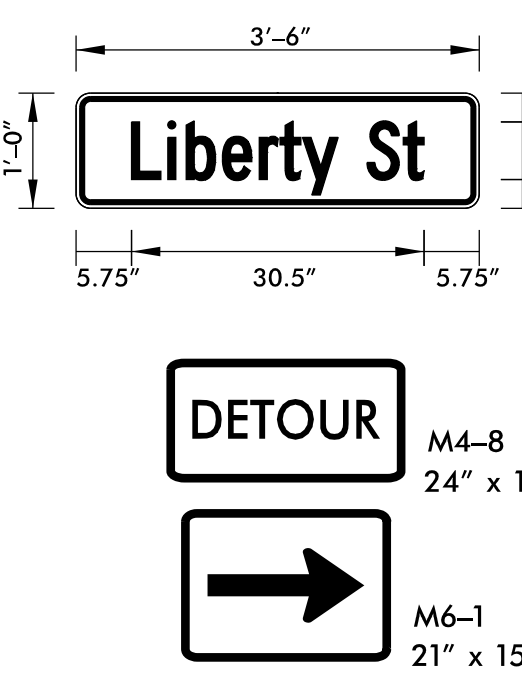
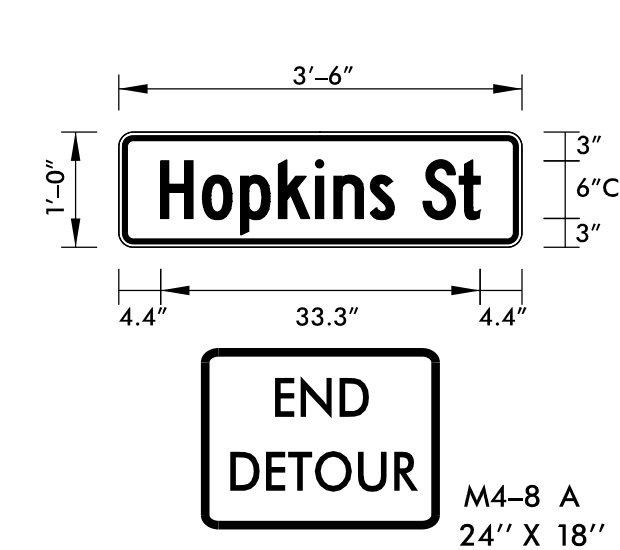
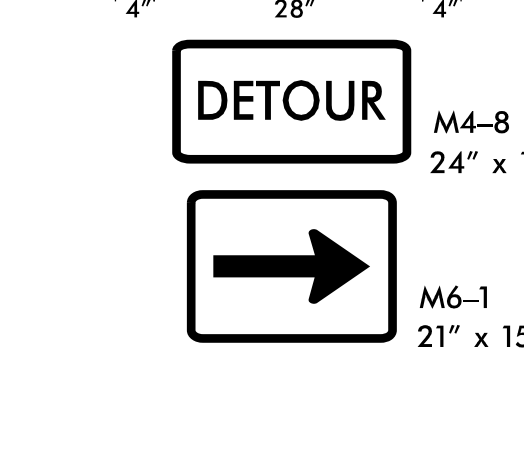
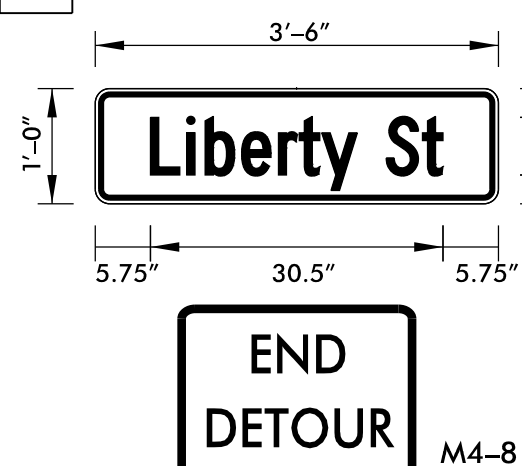
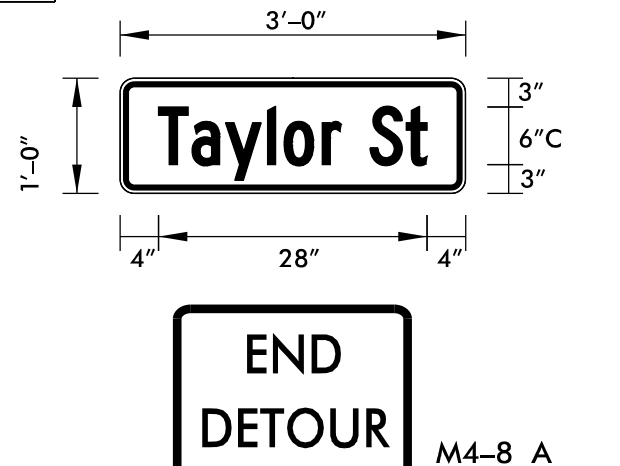



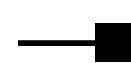

REVISIONS

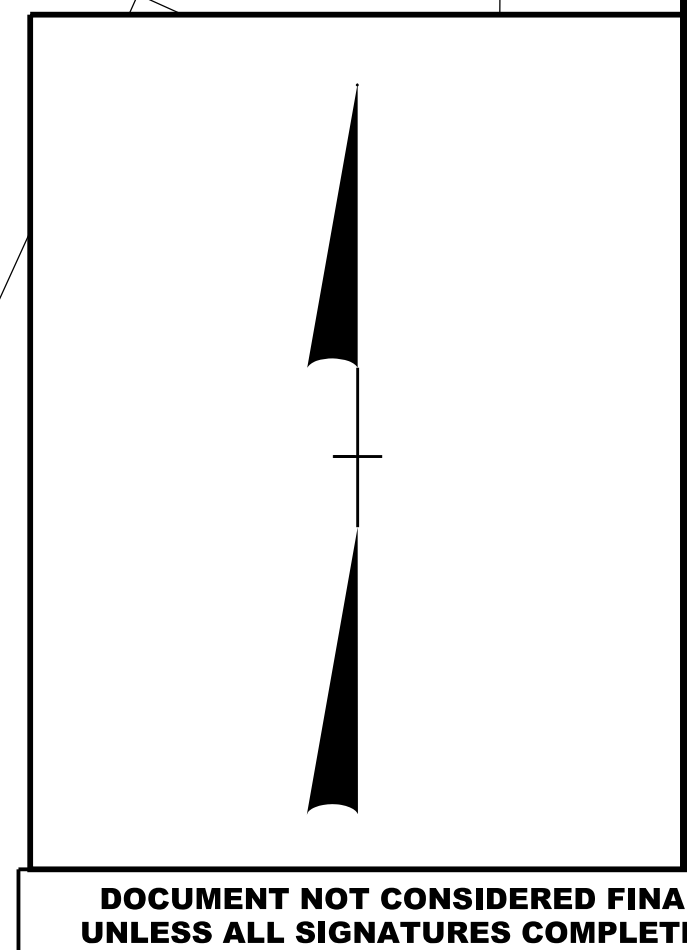
PLOT DRIVER: NCDOT\_pdf\_color\_eng\_50.pit  
 USER: erbrooks  
 DATE: 5/13/2016  
 TIME: 10:40:40 AM  
 FILE: c:\pwworking\tpa\d0487729\U-3308\_TMP-02C.thru 02AB.dgn




|   |   |   |
|---|---|---|
| <p><b>A</b></p>    | <p><b>B</b></p>    | <p><b>C</b></p>    |
| <p><b>D</b></p>   | <p><b>E</b></p>   | <p><b>F</b></p>   |
| <p><b>G</b></p>  | <p><b>H</b></p>  | <p><b>H</b></p>  |

SEE SHEET TMP-2C FOR BARRICADE LEGEND  
 SEE SHEET TMP-2AH, TMP-2AI & TMP-2AM FOR SPECIAL SIGN DESIGN DETAILS


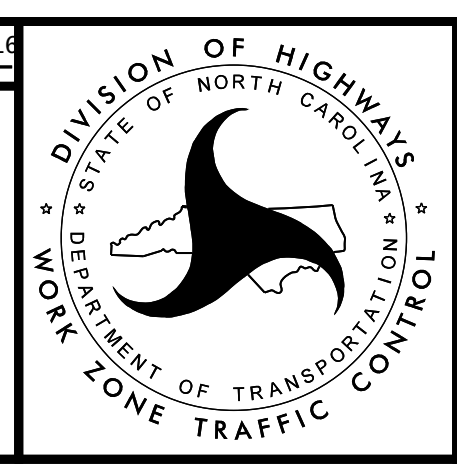
-  LIBERTY STREET DETOUR ROUTE
-  HOPKINS STREET DETOUR ROUTE
-  TAYLOR STREET DETOUR ROUTE



DOCUMENT NOT CONSIDERED FINAL  
 UNLESS ALL SIGNATURES COMPLETED

APPROVED  DATE: 5/13/2016

SEAL

LIBERTY STREET  
 HOPKINS STREET  
 TAYLOR STREET  
 DETOUR ROUTE