

GENERAL NOTES:

CONSTRUCT CONCRETE BARRIER CLASS 'AA' CONCRETE. (SEE SPECIFICATIONS SECTION 854).

CONSTRUCT EXPANSION AND CONTRACTION JOINTS AS SHOWN IN STANDARD DRAWING 854.01 SHEET 2.

SEAL EXPANSION JOINTS WITH JOINT FILLER. (SEE SECTION 1028 OF THE SPECIFICATIONS).

SUBMIT ALTERNATIVE METHODS FOR STEEL FABRICATION PLACEMENT FOR REVIEW.

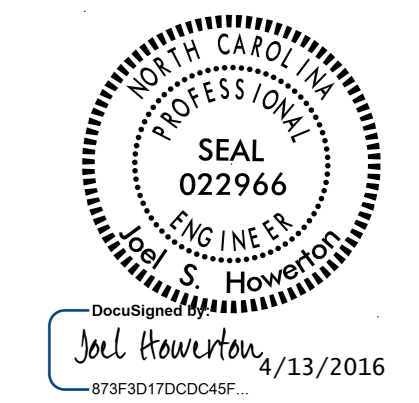
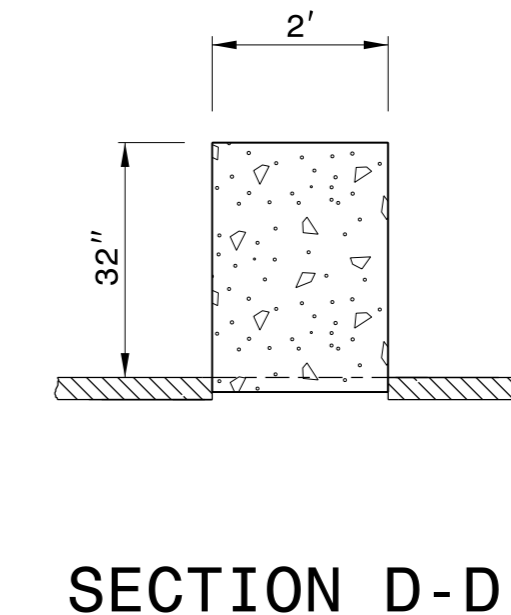
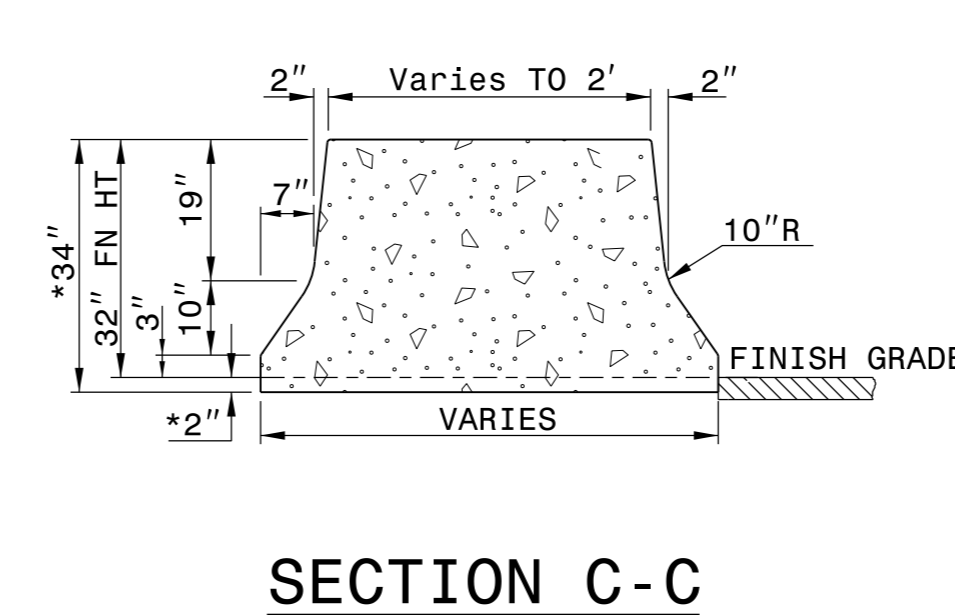
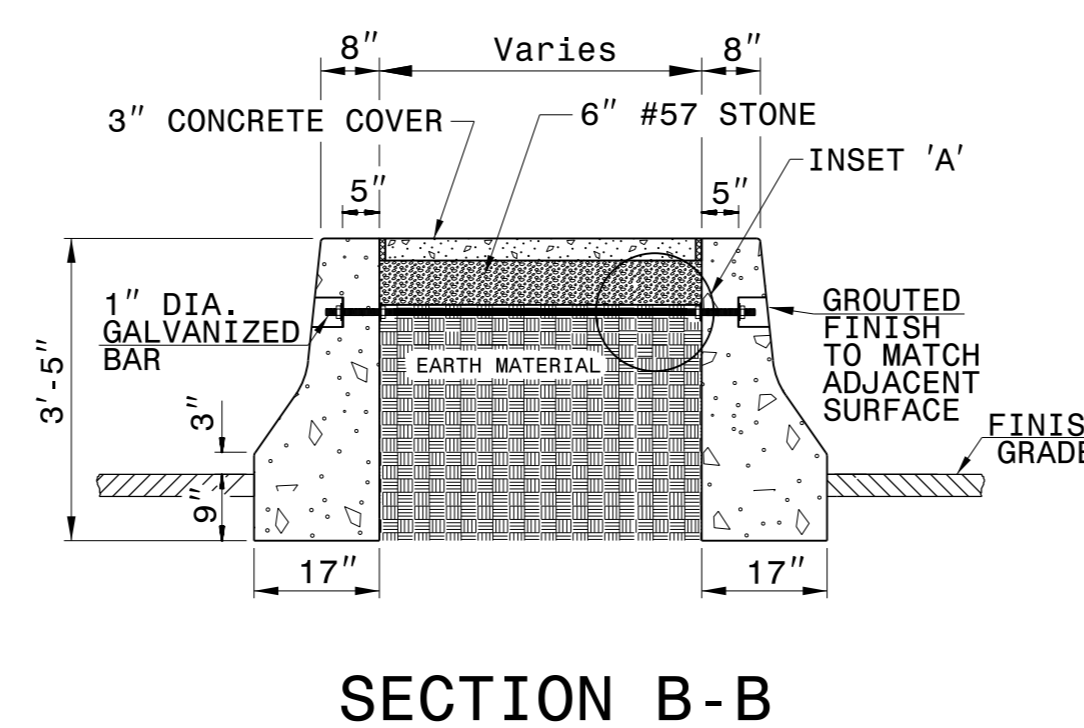
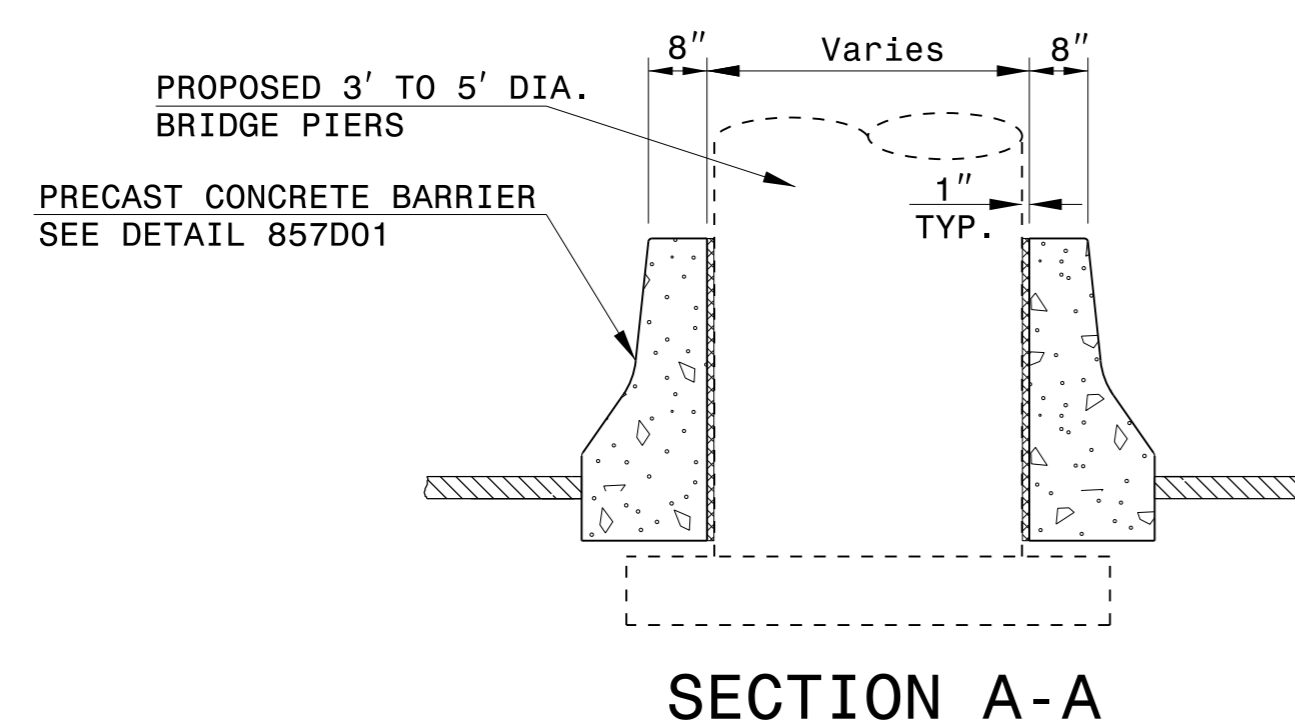
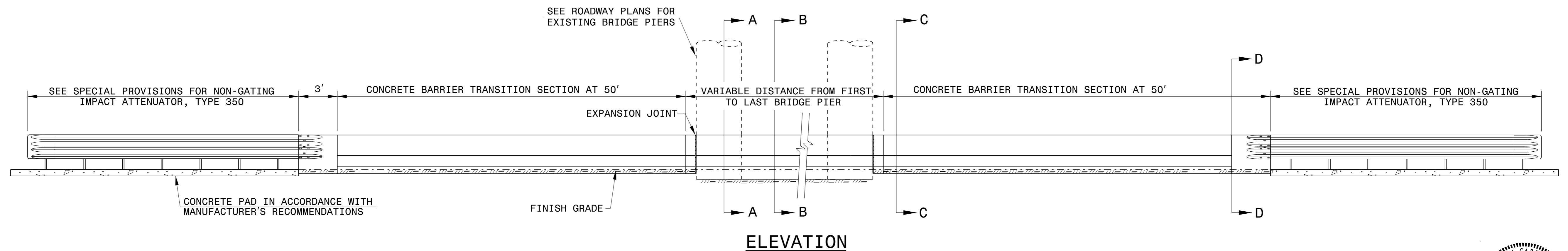
SEE STANDARD DRAWING 854.01 SHEET 3 FOR STEEL LAYOUT OF BARRIERS.

*THE 2" DIMENSION FROM FINISH GRADE TO THE BASE IS A MINIMUM DIMENSION.

INSET FIRST 1" DIA. GALVANIZED BAR 12'-6" AND SPACE THE REMAINING 1' BARS AT 25'-0".

USE AN APPROVED BONDING SYSTEM IN ACCORDANCE WITH SECTION 1081-1, TYPE 3A OF THE STANDARD SPECIFICATIONS.

SEAL ALL EXPANSION JOINTS WITH JOINT FILLER (SEE SECTION 1028 OF THE SPECIFICATIONS).



DOCUMENT NOT CONSIDERED FINAL UNLESS ALL SIGNATURES COMPLETED

CONTRACT STANDARDS AND DEVELOPMENT UNIT
Office 919-707-6950 FAX 919-250-4119

DETAIL OF MEDIAN HAZARD PROTECTION

ORIGINAL BY: E.E. WARD DATE: 7-24-03
 MODIFIED BY: rnbritt DATE: 7-18-08
 CHECKED BY: DATE:
 FILE SPEC.: s:\usr\details\stand\transbarrier.dgn

revision: 7-18-08, rnbritt, changed bridge column width and barrier taper length.