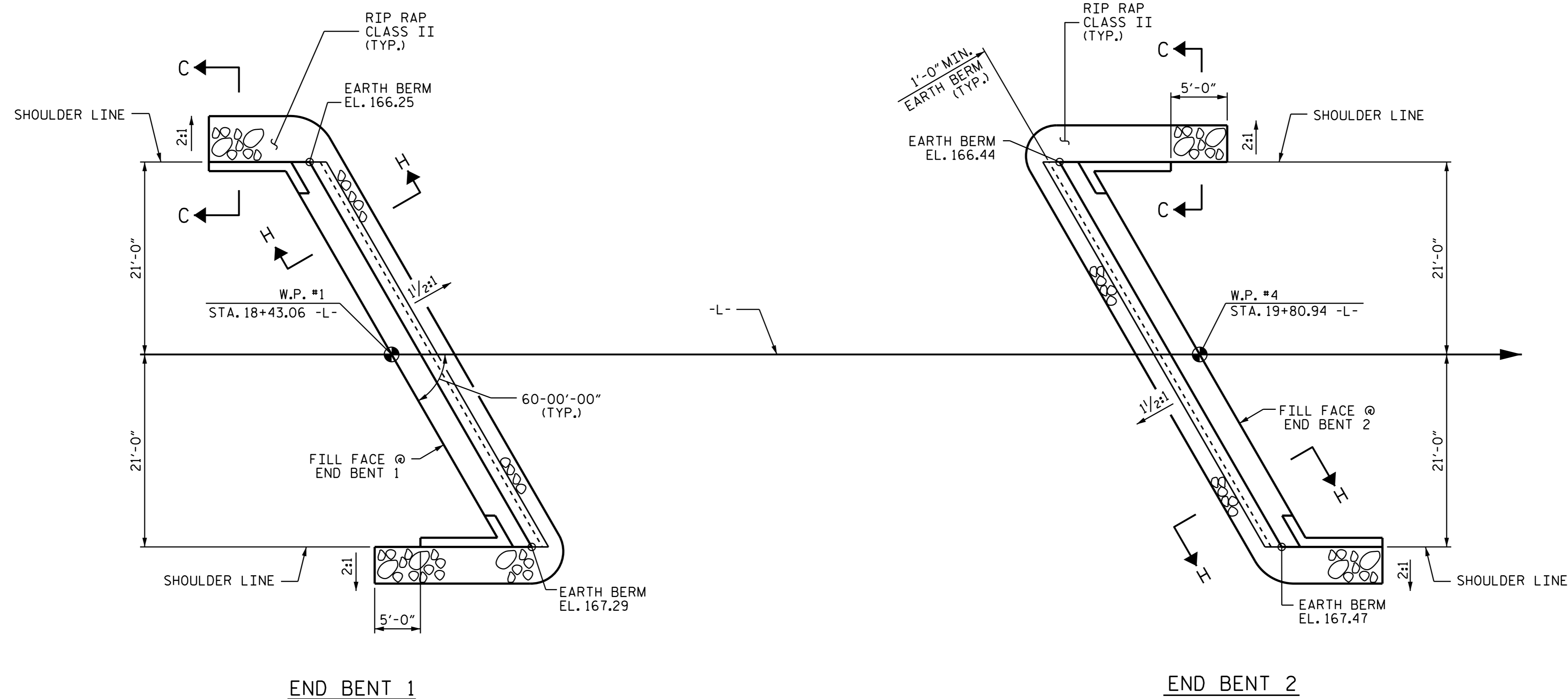
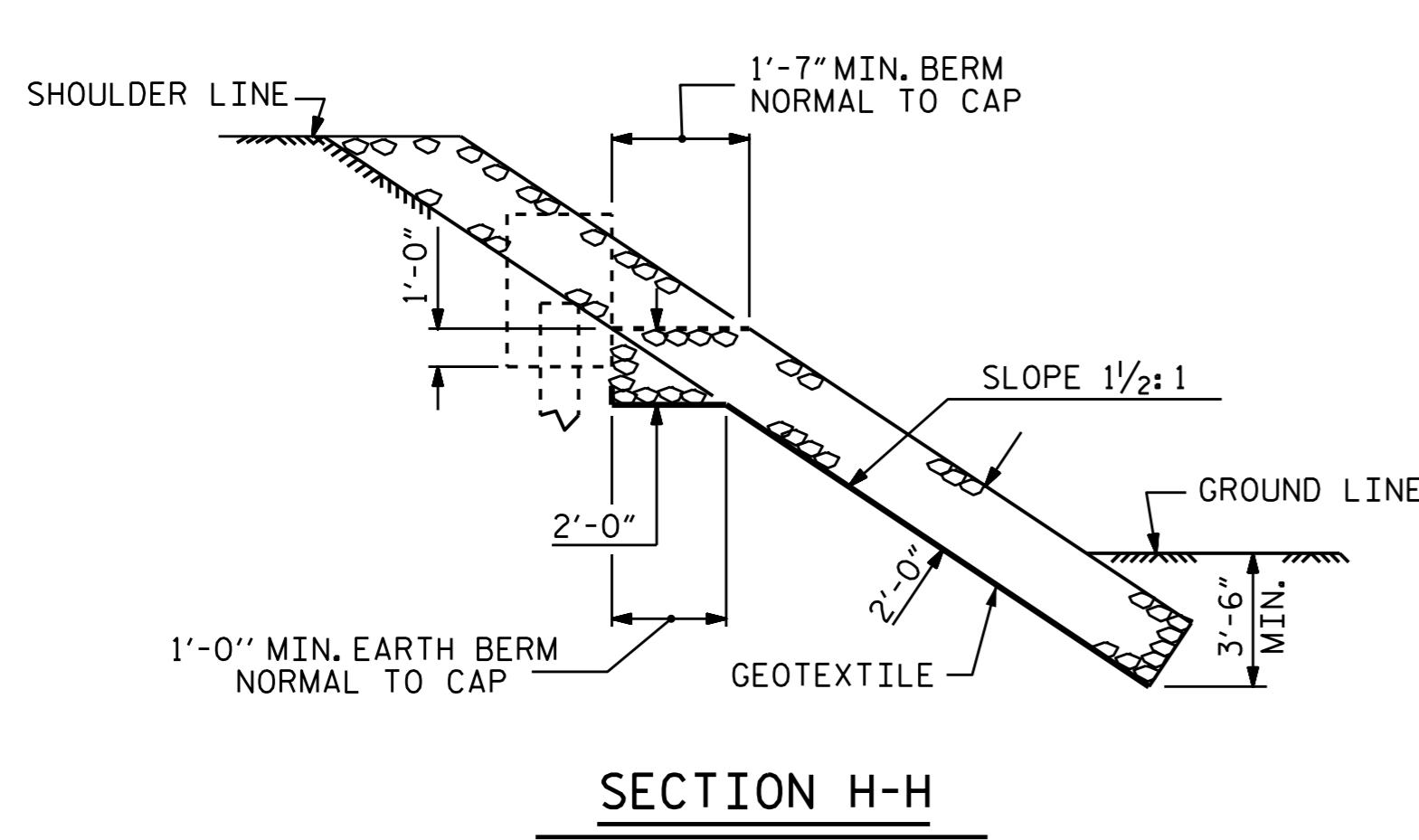


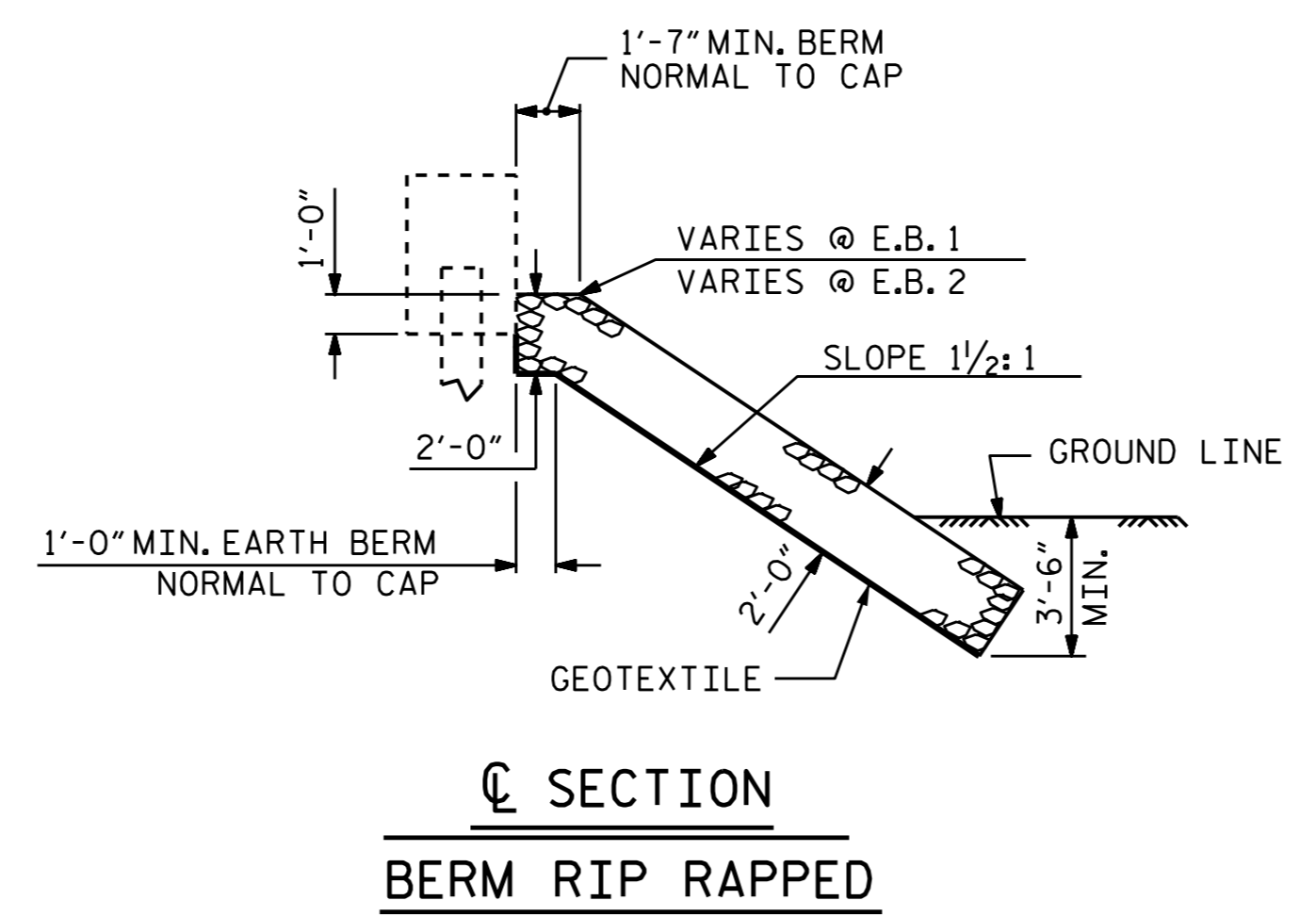
ESTIMATED QUANTITIES		
BRIDGE @ STA. 19+12.00 -L-	RIP RAP CLASS II (2'-0" THICK)	GEOTEXTILE FOR DRAINAGE
	TONS	SQUARE YARDS
END BENT 1	60	65
END BENT 2	60	65



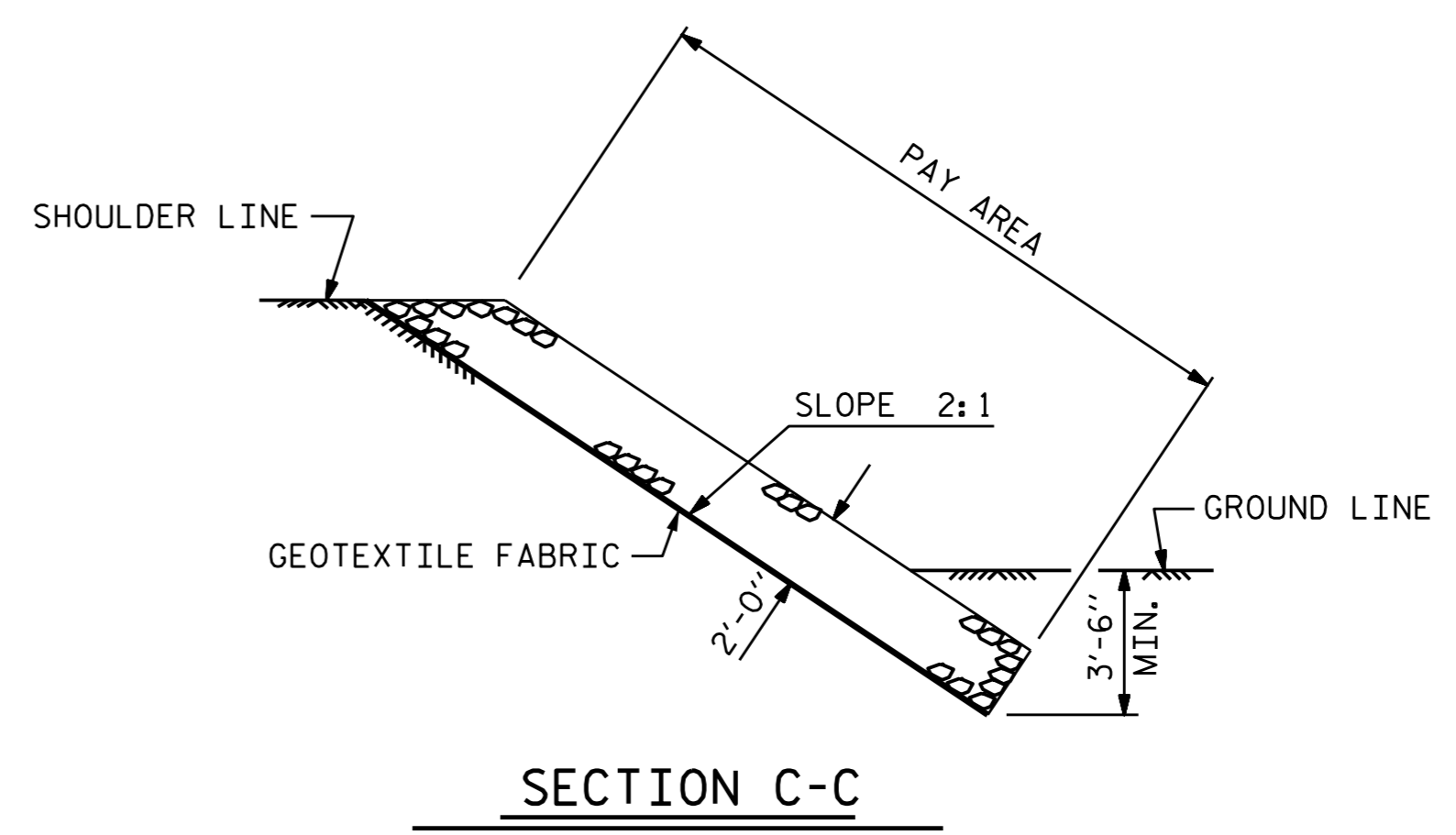
PLAN



SECTION H-H

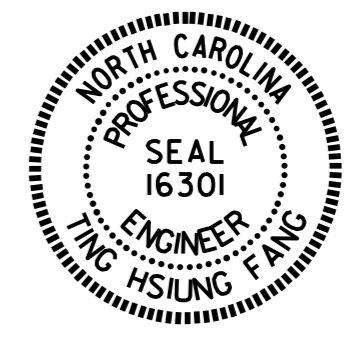


SECTION C-C  
BERM RIP RAPPED



SECTION C-C

PROJECT NO. B-4461  
CHATHAM COUNTY  
 STATION: 19+12.00 -L-



DocuSigned by:  
 Ting Fang  
 E7208940097435  
 4/11/2016  
 DOCUMENT NOT CONSIDERED  
 FINAL UNLESS ALL  
 SIGNATURES COMPLETED

STATE OF NORTH CAROLINA DEPARTMENT OF TRANSPORTATION RALEIGH					
—RIP RAP DETAILS—					
REVISIONS					
NO.	BY:	DATE:	NO.	BY:	DATE:
1			3		
2			4		

ASSEMBLED BY : S. WANCE	DATE : 07/14
CHECKED BY : W. F. PARKER	DATE : 09/15
DRAWN BY : REK 1/84	REV. 8/16/99 RWW/LES
CHECKED BY : RDU 1/84	REV. 10/17/00 RWW/LES
	REV. 5/1/06R TLA/GM

11-APR-2016 13:13  
 K:\TIP\Projects-B\B4461\Structures\Plans\Final plans\b4461.sd.cs.dgn  
 tfang