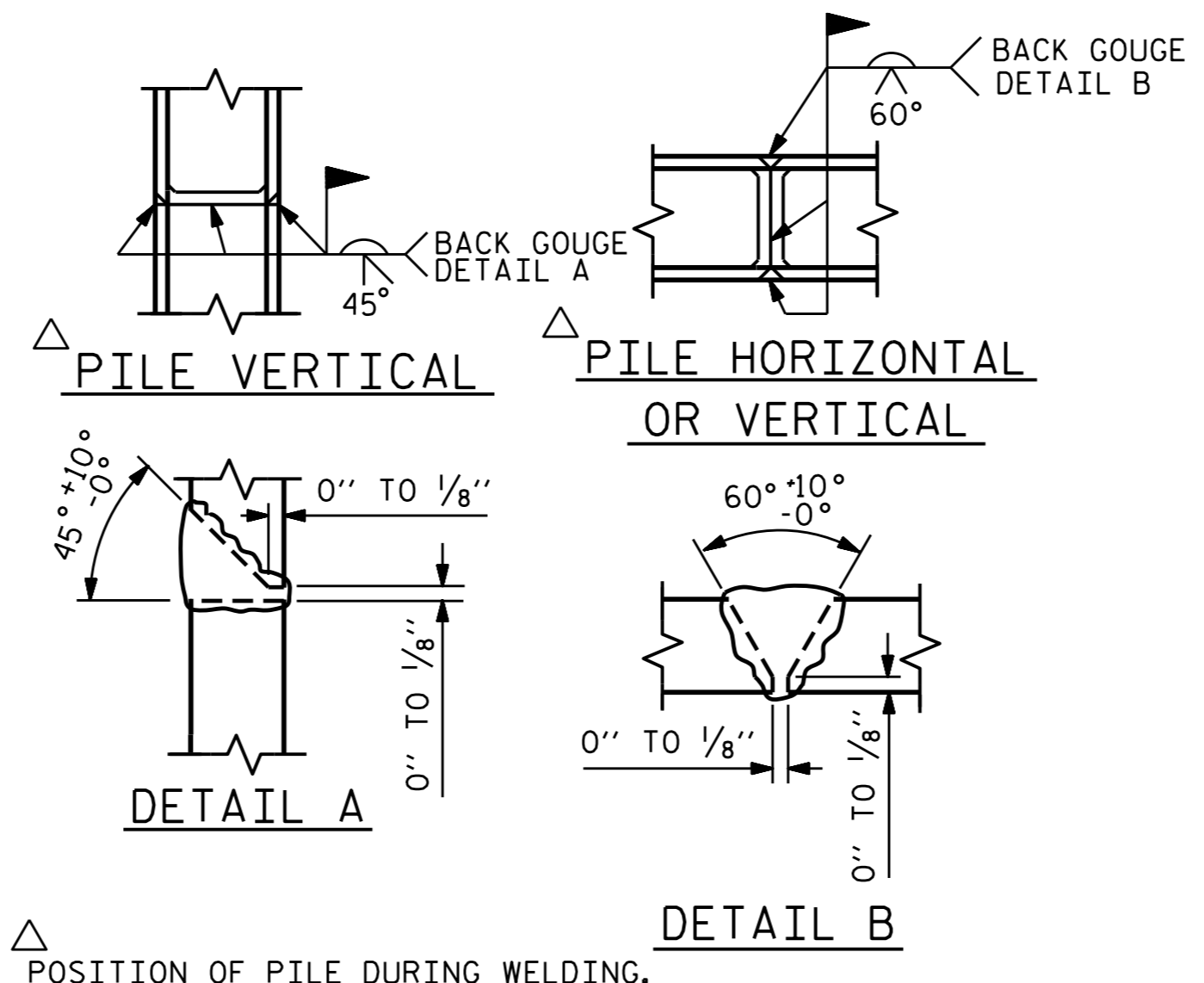


BAGGED STONE AND PIPE SHALL BE PLACED IMMEDIATELY AFTER COMPLETION OF END BENT EXCAVATION. PIPE MAY BE EITHER CONCRETE, CORRUGATED STEEL, CORRUGATED ALUMINUM ALLOY, OR CORRUGATED PLASTIC. PERFORATED PIPE WILL NOT BE ALLOWED.

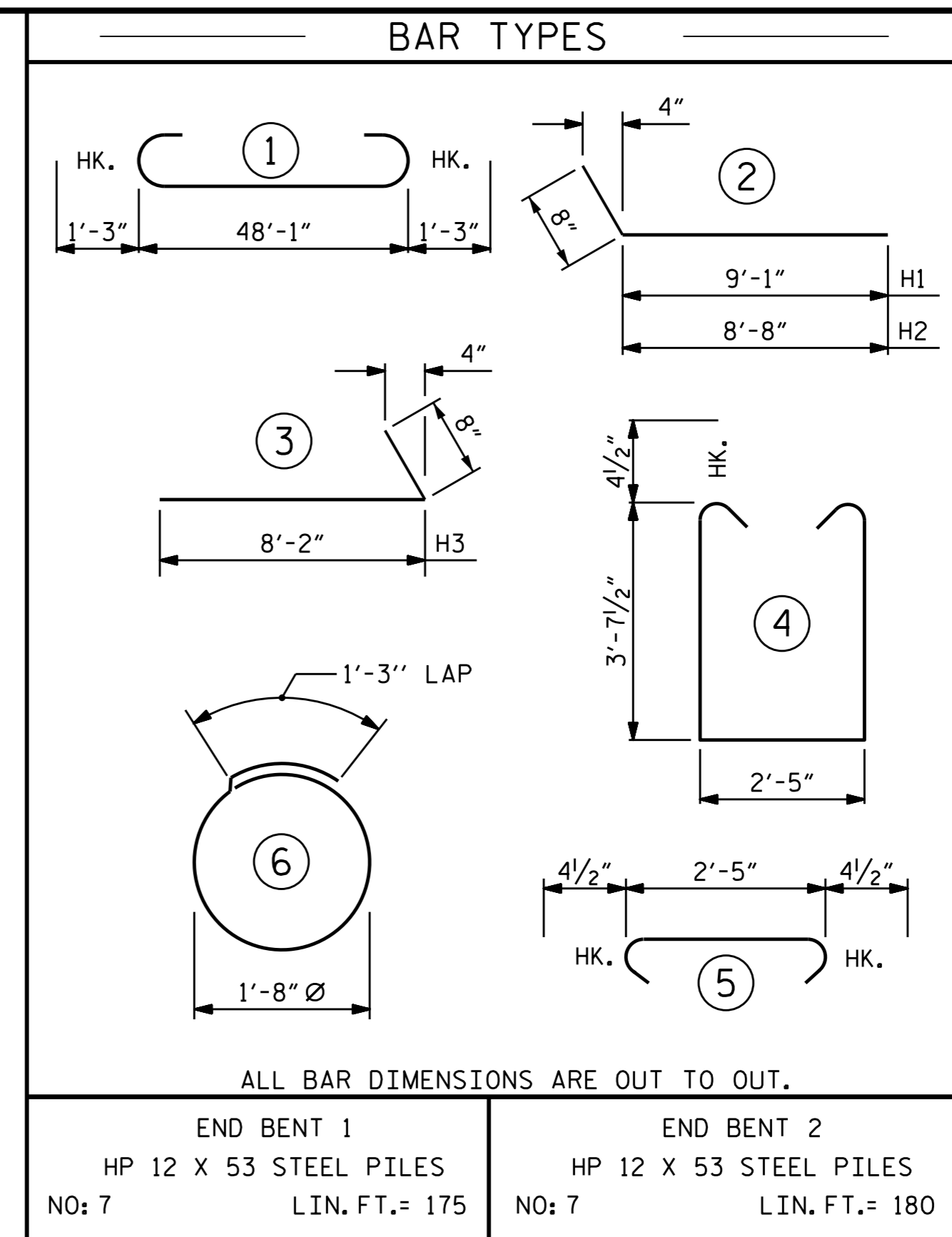
BAGGED STONE SHALL REMAIN IN PLACE UNTIL THE ENGINEER DIRECTS THAT IT BE REMOVED. THE CONTRACTOR SHALL REMOVE AND DISPOSE OF SILT ACCUMULATIONS AT BAGGED STONE WHEN SO DIRECTED BY THE ENGINEER. BAGS SHALL BE REMOVED AND REPLACED WHENEVER THE ENGINEER DETERMINES THAT THEY HAVE DETERIORATED AND LOST THEIR EFFECTIVENESS.

NO SEPARATE PAYMENT WILL BE MADE FOR THIS WORK AND THE ENTIRE COST OF THIS WORK SHALL BE INCLUDED IN THE UNIT CONTRACT PRICE BID FOR THE SEVERAL PAY ITEMS.

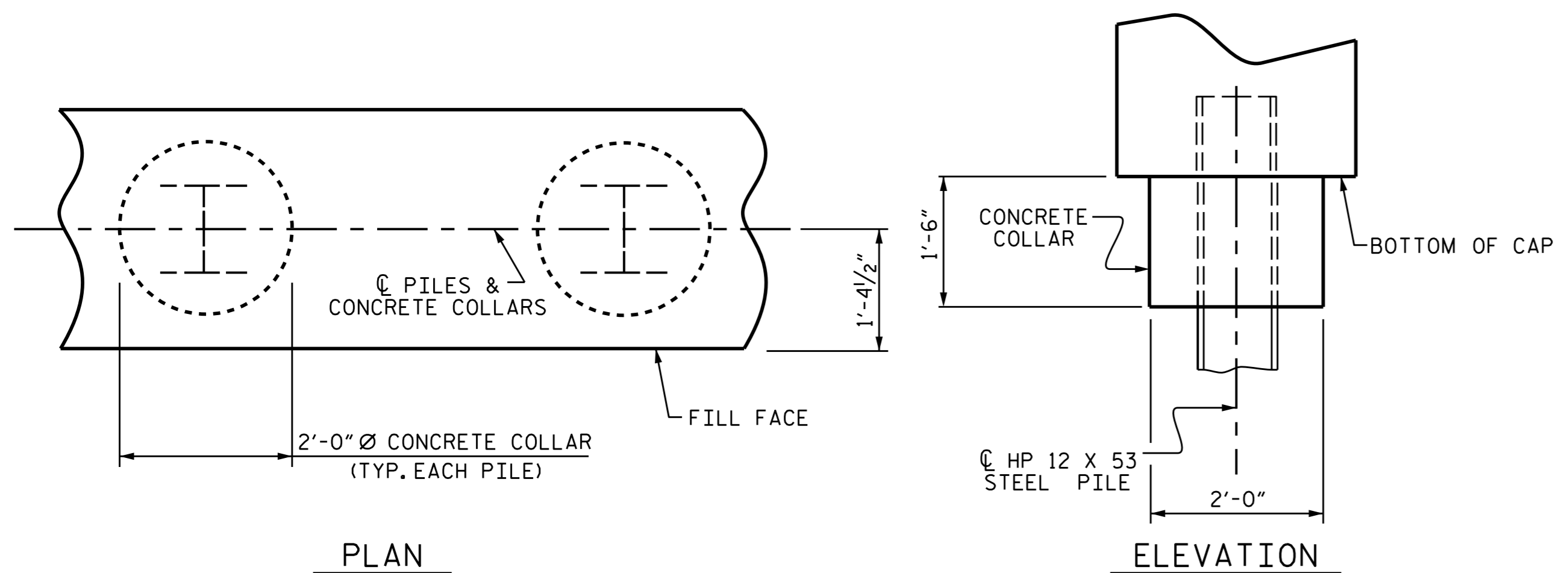
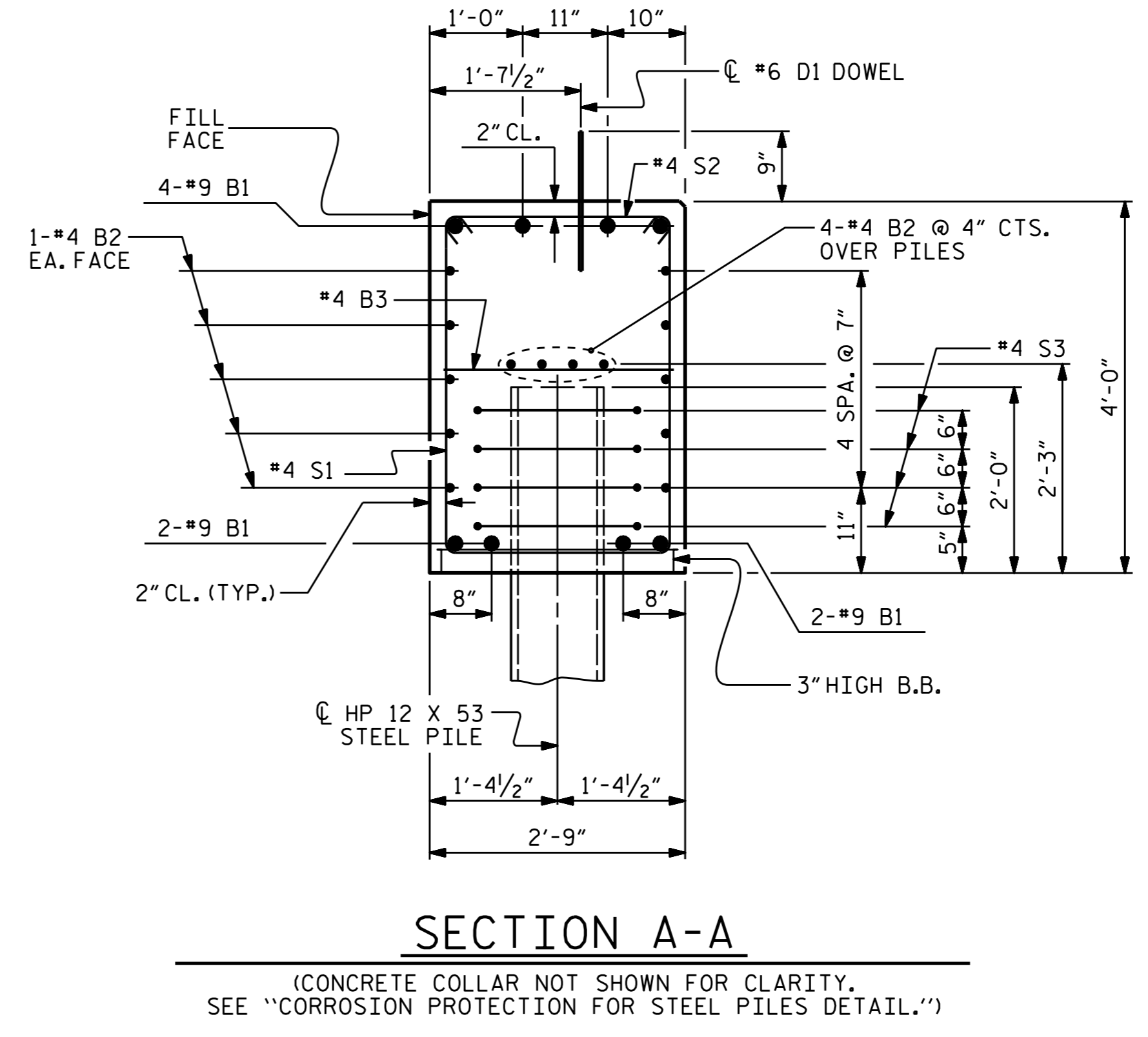
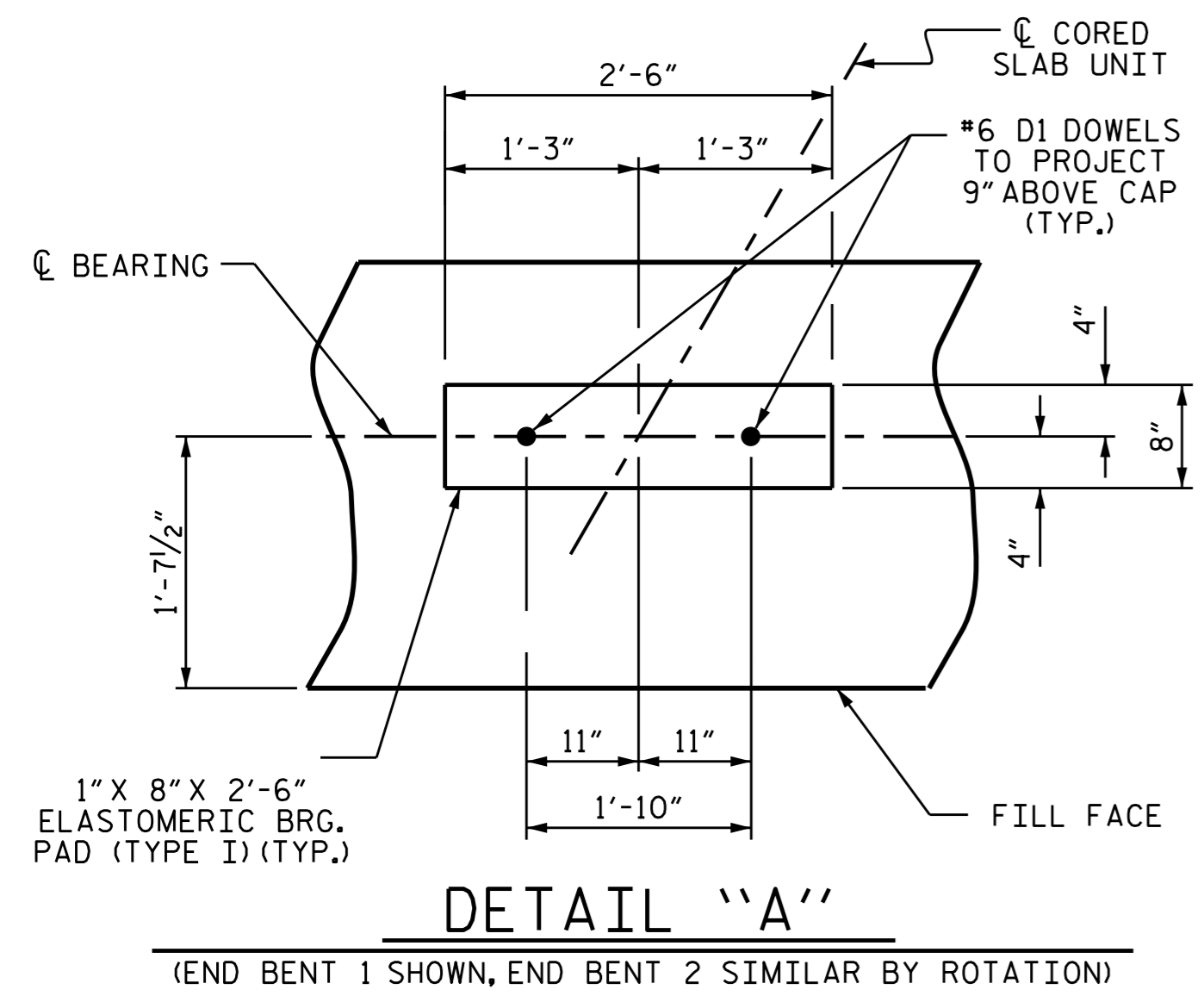
**TEMPORARY DRAINAGE AT END BENT**



**PILE SPLICE DETAILS**



BILL OF MATERIAL FOR ONE END BENT					
BAR	NO.	SIZE	TYPE	LENGTH	WEIGHT
B1	8	#9		50'-7"	1376
B2	28	#4	STR	25'-4"	474
B3	12	#4	STR	2'-5"	19
D1	24	#6	STR	1'-6"	54
H1	10	#4	2	9'-9"	65
H2	10	#4	2	9'-4"	62
H3	20	#4	3	8'-10"	118
K1	16	#4	STR	3'-3"	35
S1	62	#4	4	10'-5"	431
S2	62	#4	5	3'-2"	131
S3	28	#4	6	6'-6"	122
V1	53	#4	STR	6'-2"	218
REINFORCING STEEL (FOR ONE END BENT)					3105 LBS.
CLASS A CONCRETE BREAKDOWN (FOR ONE END BENT)					
POUR #1 CAP, LOWER PART OF WINGS & COLLARS					23.3 C.Y.
POUR #2 UPPER PART OF WINGS					2.2 C.Y.
TOTAL CLASS A CONCRETE					25.5 C.Y.



**CORROSION PROTECTION FOR STEEL PILES DETAIL**

(END BENT 1 SHOWN, END BENT 2 SIMILAR BY ROTATION)

PROJECT NO. B-4461  
 CHATHAM COUNTY  
 STATION: 19+12.00 -L-  
 SHEET 4 OF 4



DocuSigned by:  
Ting Fang  
E7208400977435  
4/11/2016

STATE OF NORTH CAROLINA  
 DEPARTMENT OF TRANSPORTATION  
 RALEIGH

SUBSTRUCTURE

END BENTS 1 & 2  
 DETAILS

ASSEMBLED BY : S. WANCE	DATE : 07/14
CHECKED BY : W. F. PARKER	DATE : 09/15
DRAWN BY : WJH 12/11	
CHECKED BY : AAC 12/11	

DOCUMENT NOT CONSIDERED FINAL UNLESS ALL SIGNATURES COMPLETED

REVISIONS						SHEET NO. S-17
NO.	BY:	DATE:	NO.	BY:	DATE:	
1			3			TOTAL SHEETS 23
2			4			