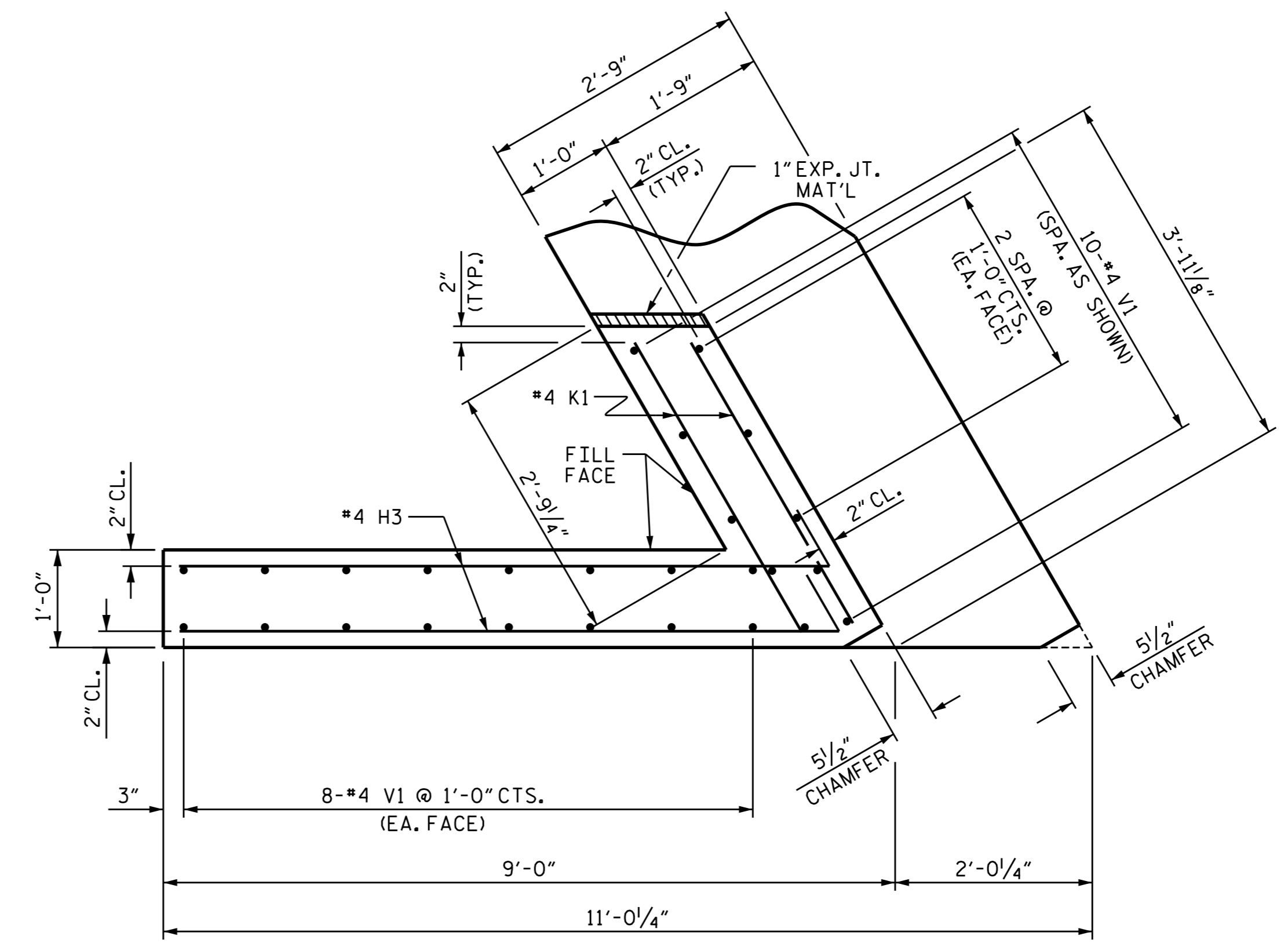
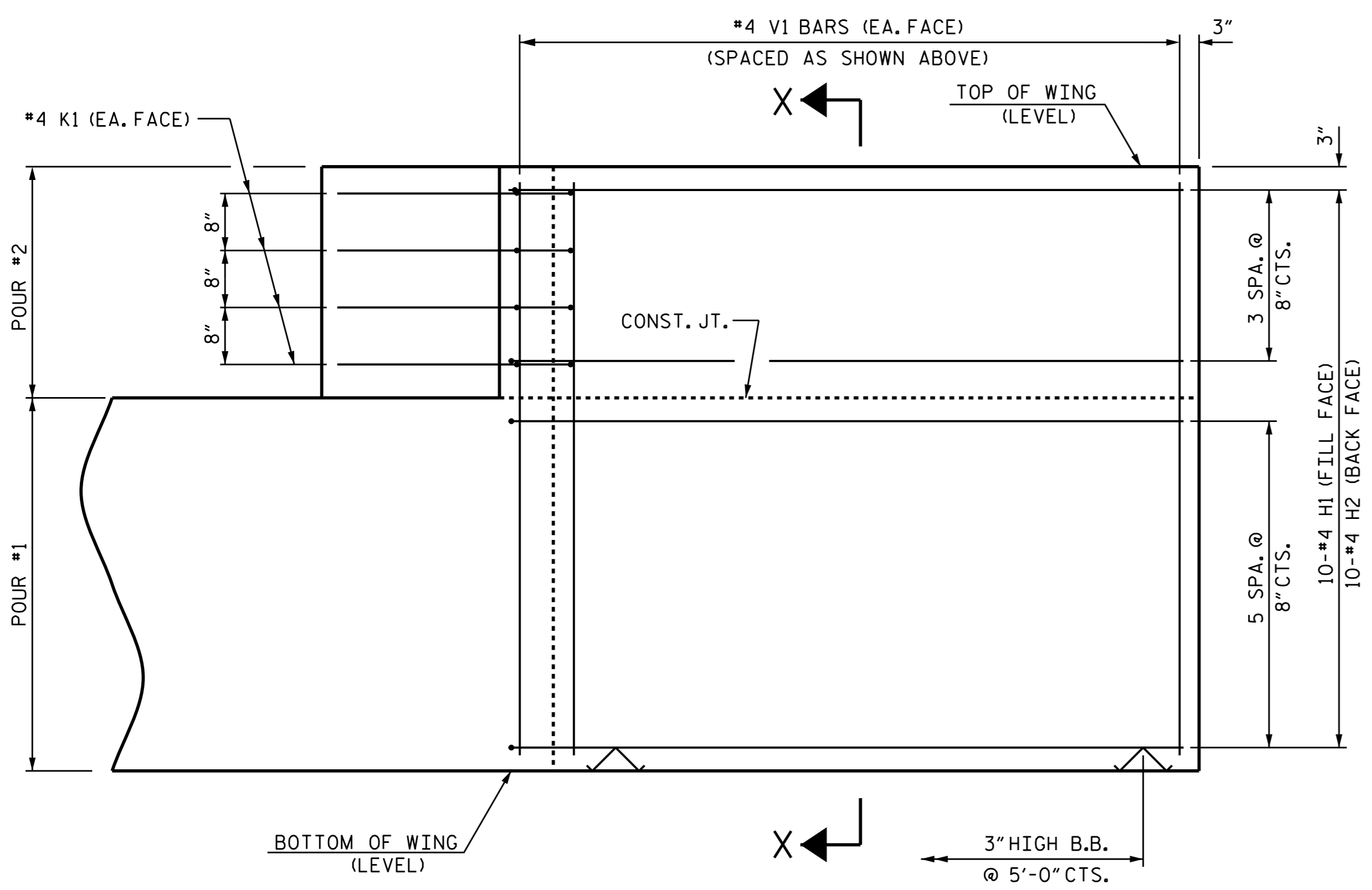


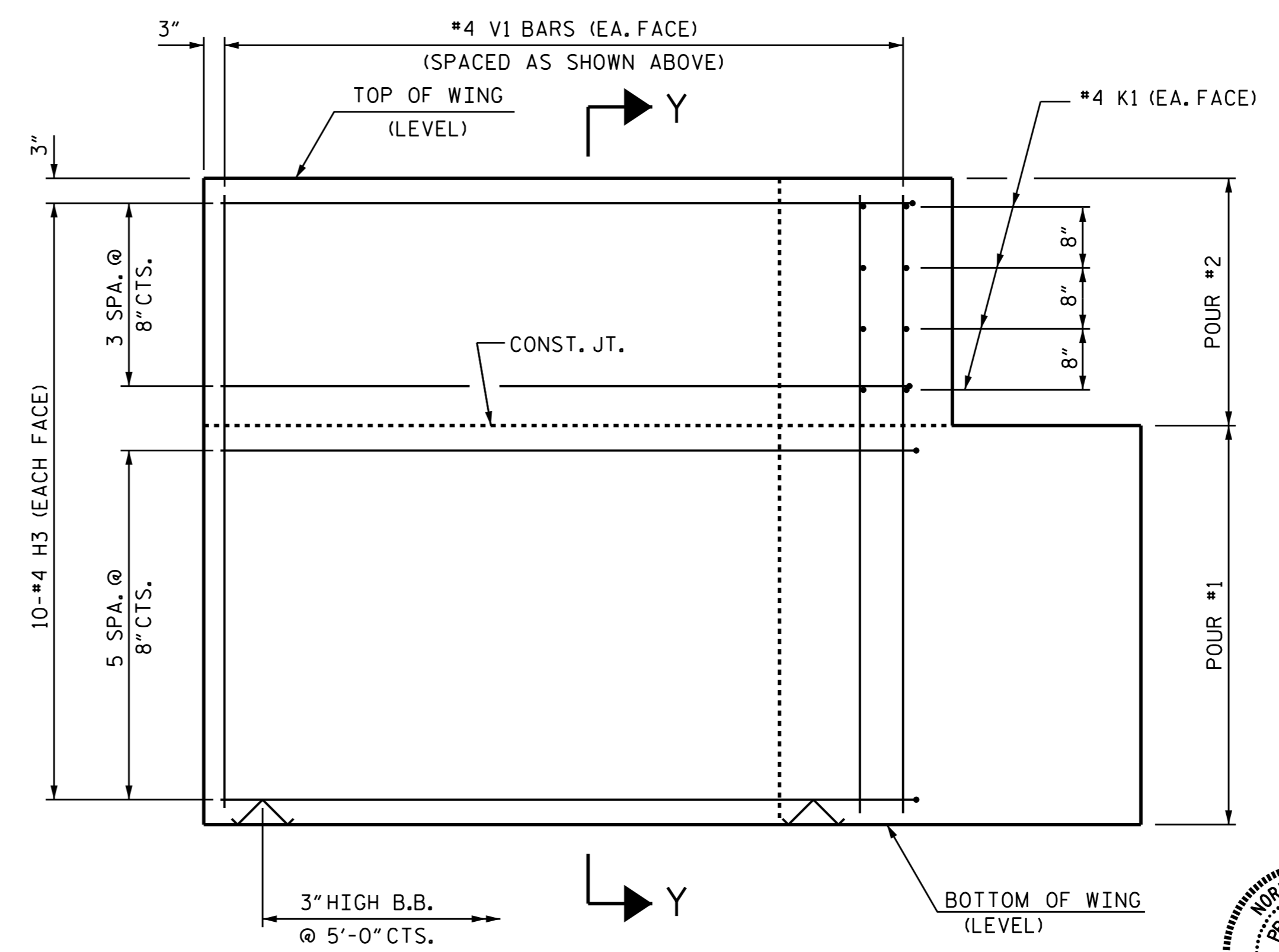
PLAN OF WING (W1)



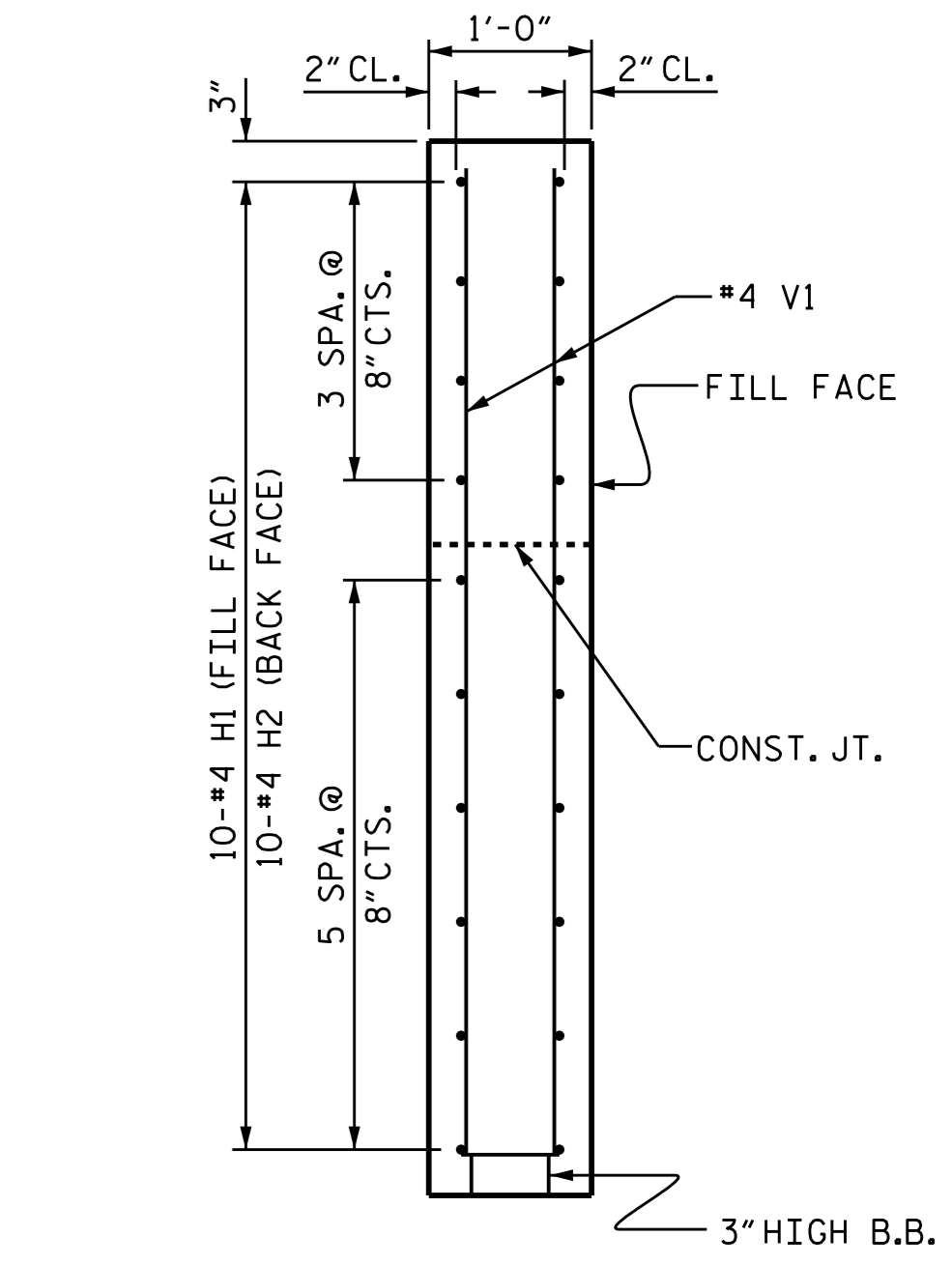
PLAN OF WING (W2)



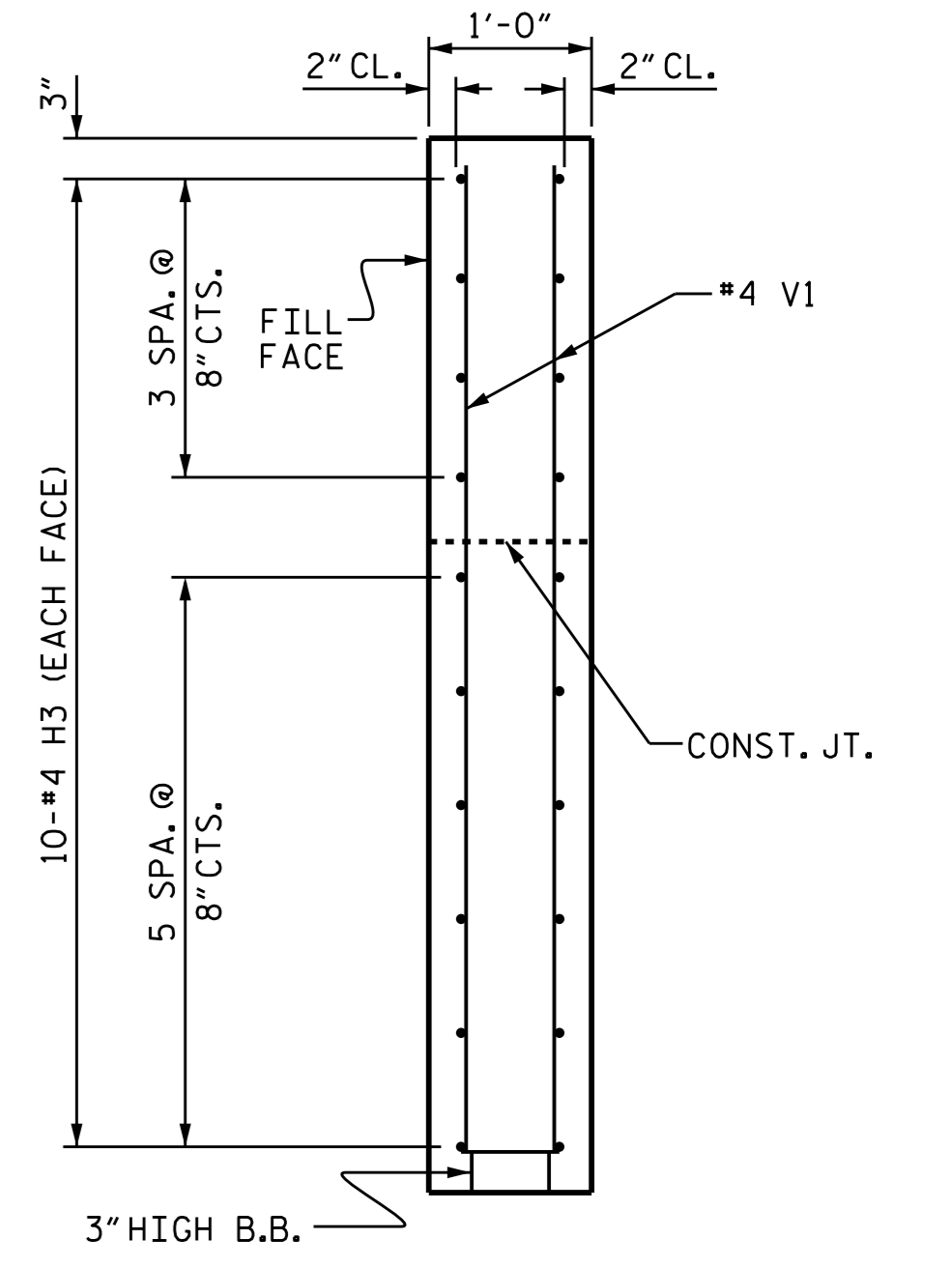
ELEVATION OF WING (W1)



ELEVATION OF WING (W2)



SECTION X-X



SECTION Y-Y

WING DETAILS

ASSEMBLED BY : S. WANCE	DATE : 07/14
CHECKED BY : W. F. PARKER	DATE : 09/15
DRAWN BY : WJH 12/11	REV. 4/15
CHECKED BY : AAC 12/11	MAA/TMG

11-APR-2016 13:13  
 K:\TIP\Projects-B\B4461\Structures\Plans\Final plans\b4461.sd.cs.dgn  
 f.fang



DocuSigned by:  
 Ting Fang  
 E720840097435... 4/11/2016

PROJECT NO. B-4461  
 CHATHAM COUNTY  
 STATION: 19+12.00 -L-

SHEET 3 OF 4

STATE OF NORTH CAROLINA DEPARTMENT OF TRANSPORTATION RALEIGH					
SUBSTRUCTURE END BENT WING DETAILS					
REVISIONS					
NO.	BY:	DATE:	NO.	BY:	DATE:
1			3		
2			4		
					SHEET NO. S-16
					TOTAL SHEETS 23

DOCUMENT NOT CONSIDERED  
 FINAL UNLESS ALL  
 SIGNATURES COMPLETED