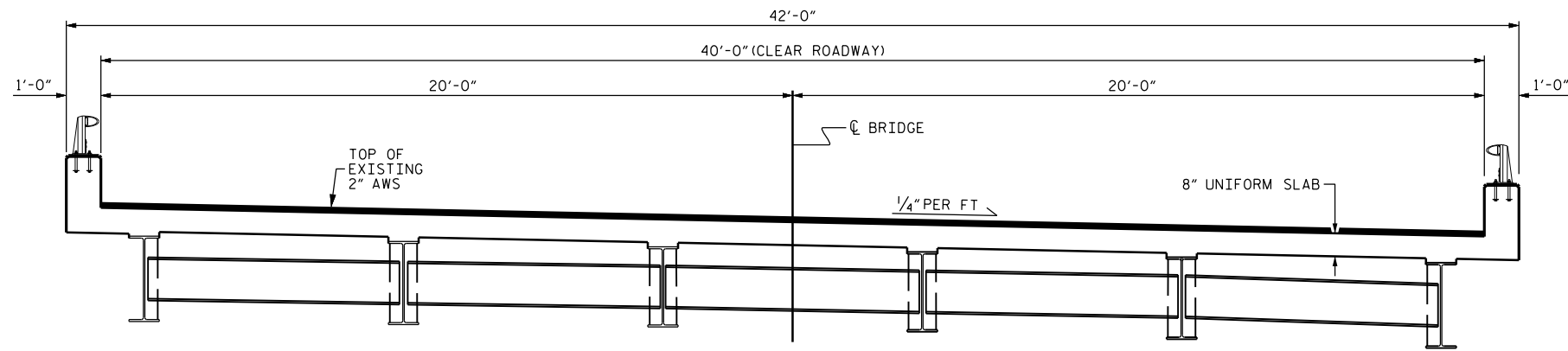
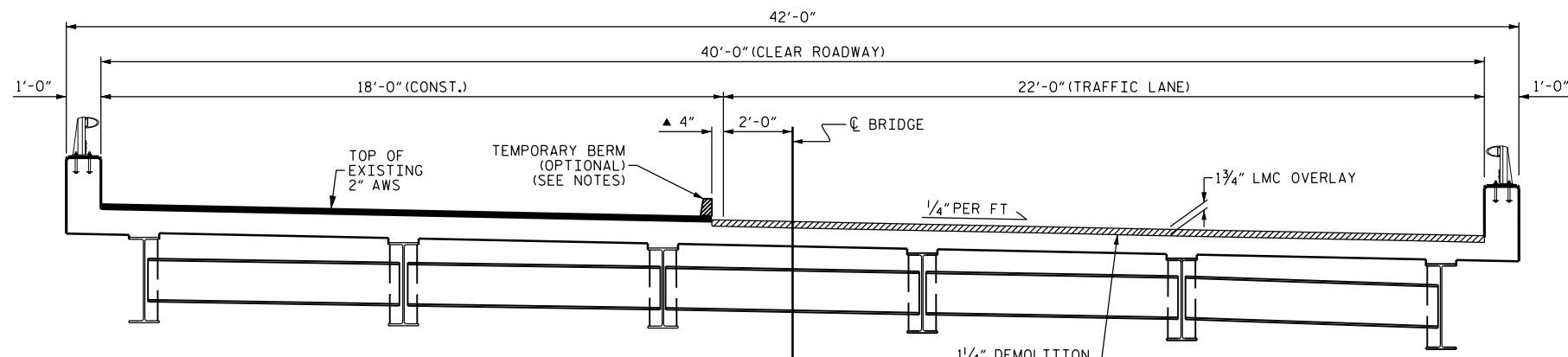


NOTES

THE WORK STAGING ON THIS PLAN SHEET INDICATES THAT THE RIGHT LANE LMC WORK IS PERFORMED FIRST, FOLLOWED BY THE LEFT LANE LMC WORK. THE CONTRACTOR MAY ELECT TO SEQUENCE THE WORK DIFFERENTLY, BUT THE DIMENSIONS OF THE WORK ZONE AND CLEAR ROADWAY AREAS SHALL MATCH THAT INDICATED ON THIS PLAN SHEET, RESPECTIVE TO THE LANE WHERE THE LMC WORK IS BEING PERFORMED.

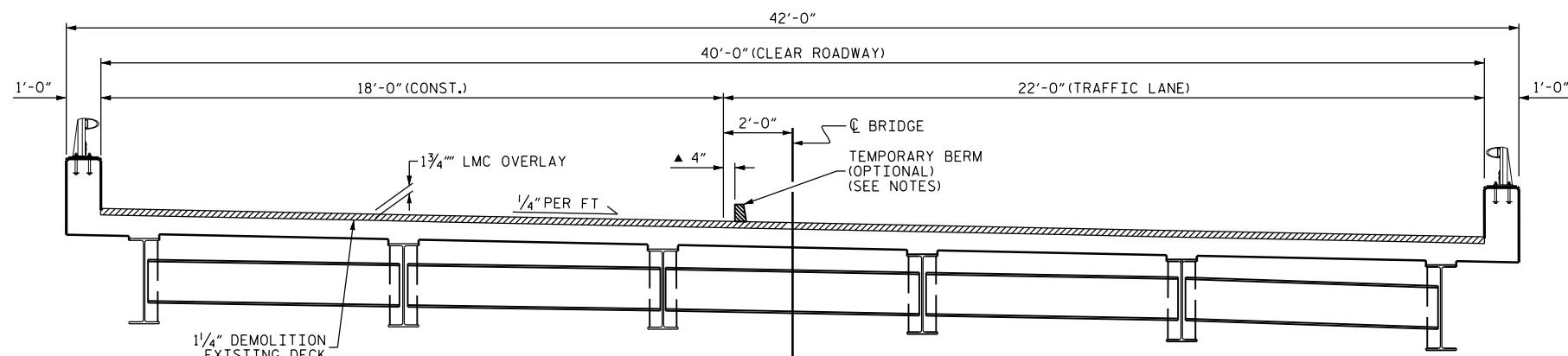


TYPICAL SECTION
(EXISTING)

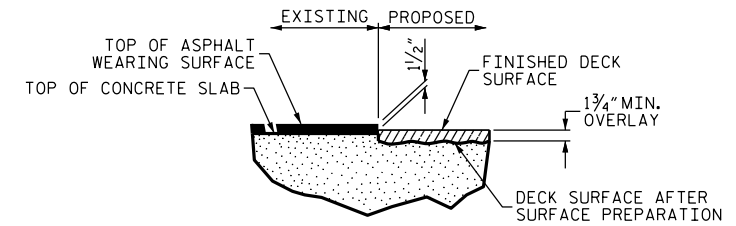


TYPICAL SECTION
(RIGHT LANE LMC WORK)

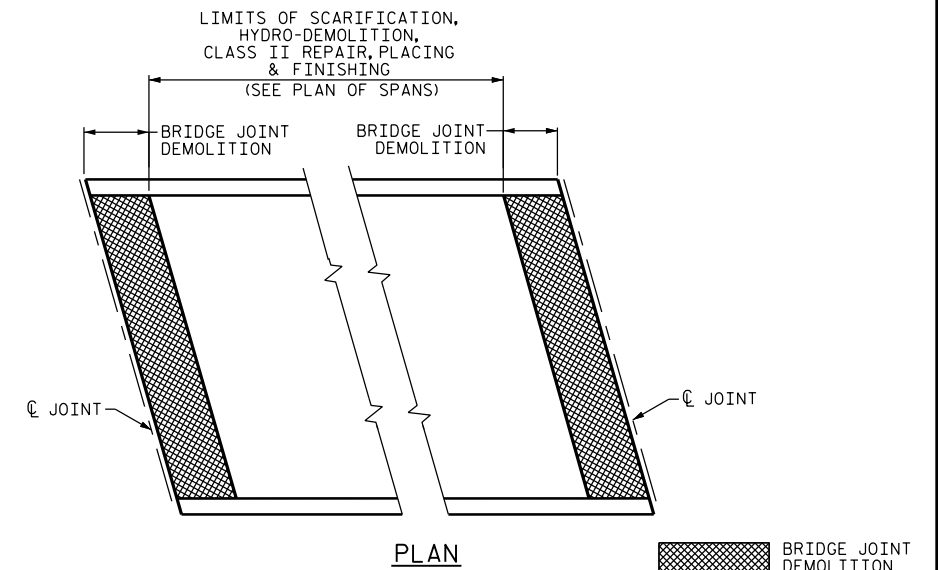
▲ 4" OVERLAP BETWEEN OVERLAYS
PREVIOUSLY POURED LMC TO BE HYDRO-DEMOLITIONED & RECAST WITH LMC



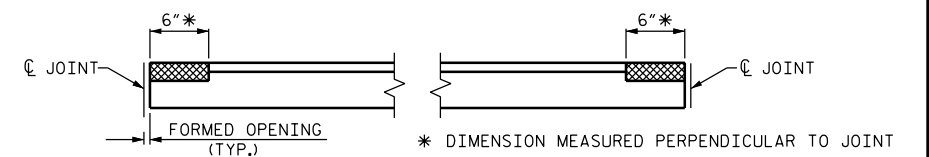
TYPICAL SECTION
(LEFT LANE LMC WORK)



DETAIL FOR LMC OVERLAY



PLAN



ELEVATION

PAY LIMITS FOR OVERLAY BID ITEMS

PROJECT NO. I-5756
HAYWOOD COUNTY
BRIDGE NO. 231

DocuSigned by:
John A. Yannaccone
7BC36E9CE
NORTH CAROLINA PROFESSIONAL ENGINEER SEAL 32492 JOHN A. YANNACCONE

3/21/2016

STATE OF NORTH CAROLINA
DEPARTMENT OF TRANSPORTATION
RALEIGH
TYPICAL SECTION AND SURFACE PREPARATION DETAILS

DRAWN BY : W.O. KEITH DATE : 9/15
CHECKED BY : J. YANNACCONE DATE : 11/15

21-MAR-2016 13:16
R:\Structures\Final Drawings\430231\430231_SD.TS.dgn
Jyannaccone

DOCUMENT NOT CONSIDERED FINAL UNLESS ALL SIGNATURES COMPLETED

REVISIONS						SHEET NO.
NO.	BY:	DATE:	NO.	BY:	DATE:	TOTAL SHEETS
1			3			S-101
2			4			122