

NOTES

FOR FOAM JOINT SEAL, SEE SPECIAL PROVISIONS.

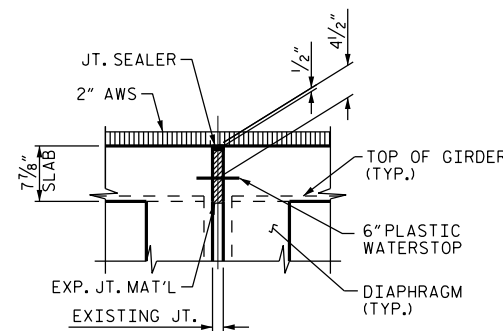
THE INSTALLED FOAM JOINT SEALS SHALL BE WATERTIGHT.

NOMINAL UNCOMPRESSED SEAL WIDTH OF FOAM JOINT SEAL SHALL BE 3" AT BENT 1 AND 2" AT BENTS 2, 3 & 4.

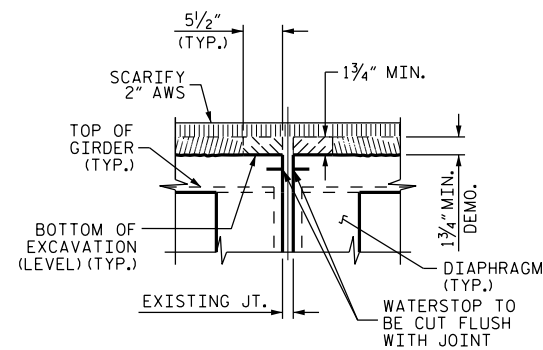
THE CONTRACTOR WILL NOT BE PERMITTED TO FORM THE JOINT FOR THE FOAM JOINT SEAL IN LIEU OF SAWING THE JOINT.

ELASTOMERIC CONCRETE		
BENT 1	10.0	(CU. FT.)
BENT 2	10.0	(CU. FT.)
BENT 3	10.0	(CU. FT.)
BENT 4	10.0	(CU. FT.)
* TOTAL	40.0	(CU. FT.)

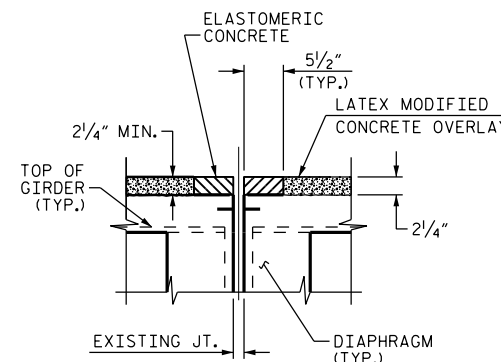
* BASED ON THE MINIMUM BLOCKOUT SHOWN.



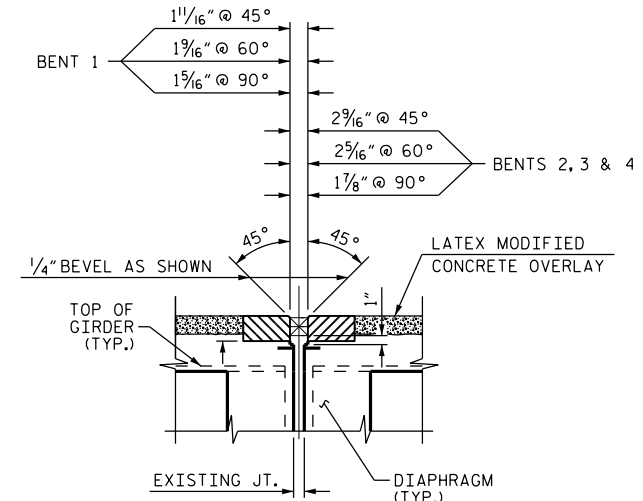
EXISTING JOINT



MINIMUM EXISTING JOINT DEMOLITION



PROPOSED JOINT PRE-SAWED

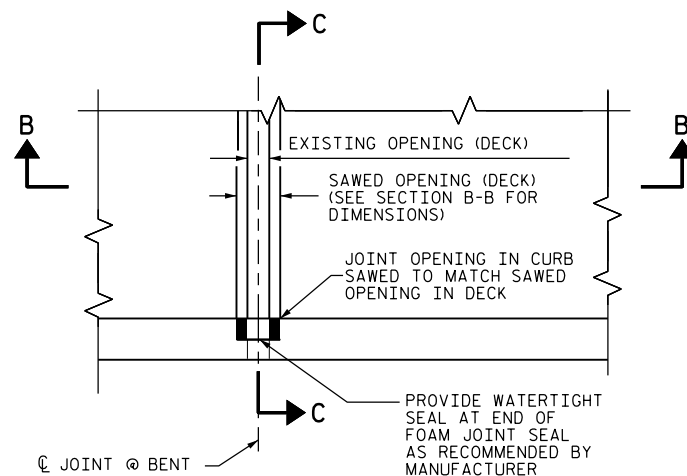


PROPOSED FOAM JOINT SEAL

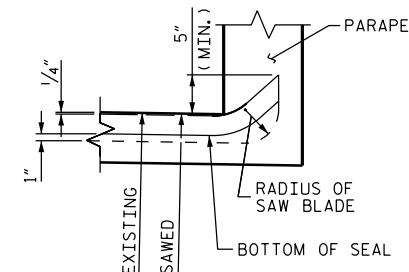
SECTION B-B

IF THE EMBEDDED PORTION OF THE EXISTING PLASTIC WATERSTOP IS EXPOSED DURING REMOVAL OF UNSOUND CONCRETE, OR IF UNSOUND CONCRETE IS REMOVED WITHIN 2" OF THE WATERSTOP, THE ENTIRE CONCRETE DEPTH TO THE WATERSTOP SHALL BE REMOVED. IF SUCH EXCAVATION EXTENDS MORE THAN 2" BELOW THE BOTTOM OF THE PLANNED ELASTOMERIC CONCRETE HEADER, AS SHOWN, APPROVED REPAIR CONCRETE SHALL BE PLACED IN THE EXCAVATED AREA TO THE ELEVATION AT THE BOTTOM OF THE ELASTOMERIC CONCRETE.

DEMOLISH BRIDGE JOINT AREA TO THE NECESSARY DEPTH, SUCH THAT ELASTOMERIC CONCRETE SHALL BE FOUNDED ON CONCRETE OR REPAIR CONCRETE SUBSTRATE, NOT LATEX MODIFIED CONCRETE.



PLAN



SECTION C-C

FOAM JOINT SEAL SHALL BE FACTORY FORMED OR CUT, HEAT WELDED AND TURNED UP PARALLEL TO FACE OF PARAPET.

PROJECT NO. I-5756
HAYWOOD COUNTY
BRIDGE NO. 230

DocuSigned by:
John A. Yannaccone
7BC36E9CE8
STATE OF NORTH CAROLINA
PROFESSIONAL
SEAL
32492
JOHN A. YANNACCONE
ENGINEER

3/21/2016

STATE OF NORTH CAROLINA
DEPARTMENT OF TRANSPORTATION
RALEIGH

JOINT DETAILS

DRAWN BY: H. T. BARBOUR DATE: 11-02-15
CHECKED BY: J. YANNACCONE DATE: 11-15

DOCUMENT NOT CONSIDERED
FINAL UNLESS ALL
SIGNATURES COMPLETED

REVISIONS						SHEET NO.
NO.	BY:	DATE:	NO.	BY:	DATE:	S-91
1			3			TOTAL SHEETS
2			4			122