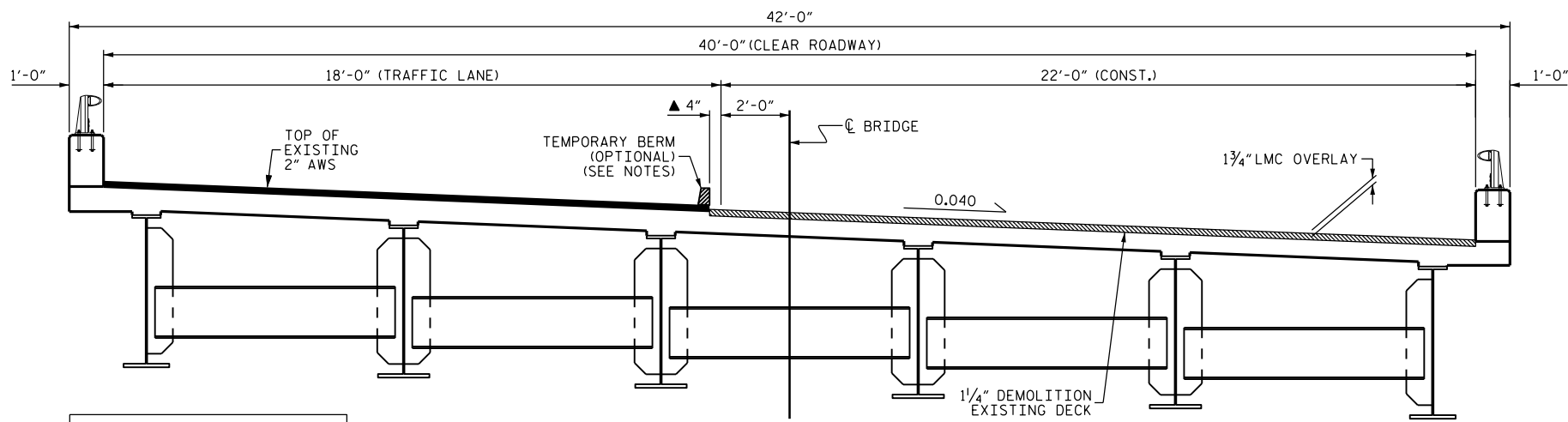
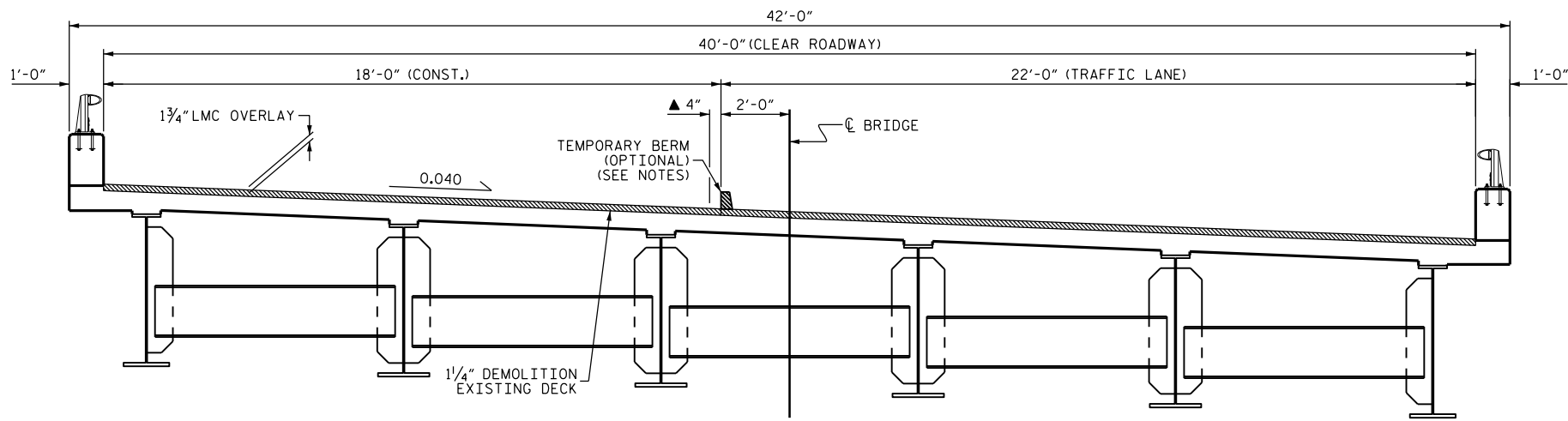


TYPICAL SECTION
(EXISTING)



TYPICAL SECTION
(RIGHT LANE LMC WORK)

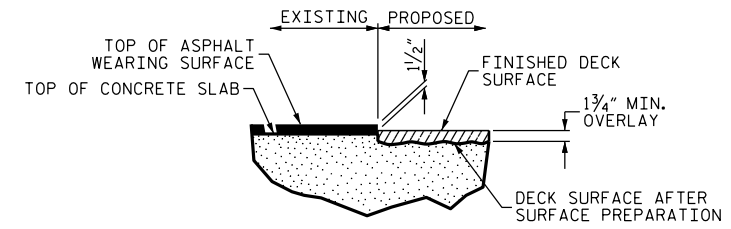
▲ 4" OVERLAP BETWEEN OVERLAYS
PREVIOUSLY POURED LMC
TO BE HYDRO-DEMOLITIONED
& RECAST WITH LMC



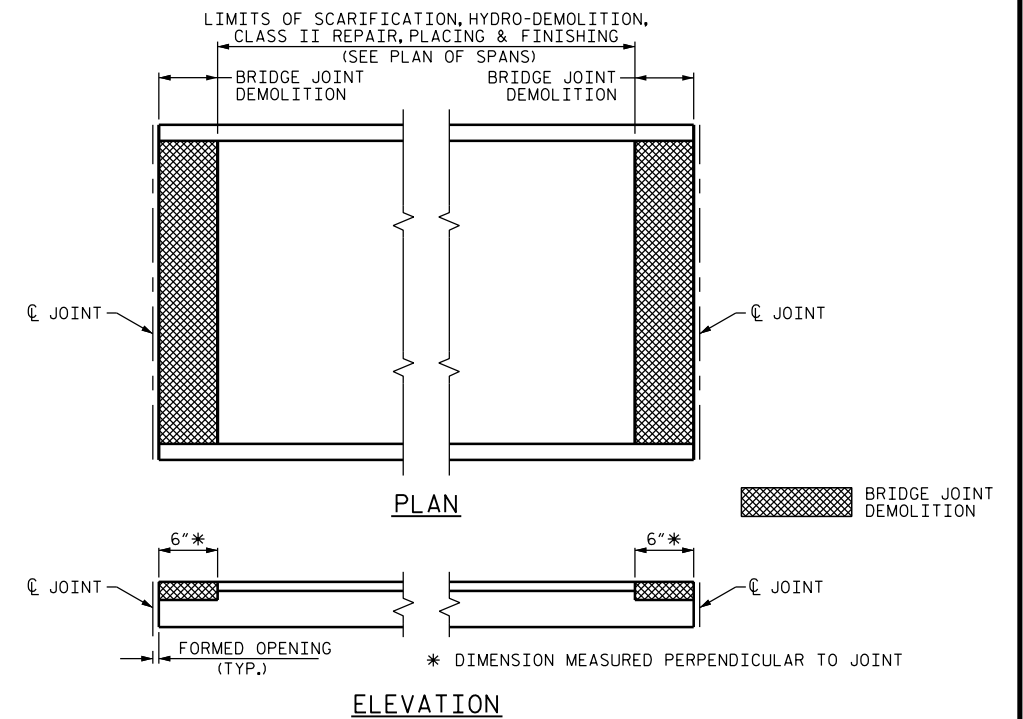
TYPICAL SECTION
(LEFT LANE LMC WORK)

NOTES

THE WORK STAGING ON THIS PLAN SHEET INDICATES THAT THE RIGHT LANE LMC WORK IS PERFORMED FIRST, FOLLOWED BY THE LEFT LANE LMC WORK. THE CONTRACTOR MAY ELECT TO SEQUENCE THE WORK DIFFERENTLY, BUT THE DIMENSIONS OF THE WORK ZONE AND CLEAR ROADWAY AREAS SHALL MATCH THAT INDICATED ON THIS PLAN SHEET, RESPECTIVE TO THE LANE WHERE THE LMC WORK IS BEING PERFORMED.



DETAIL FOR LMC OVERLAY



PAY LIMITS FOR OVERLAY BID ITEMS

PROJECT NO. I-5756
HAYWOOD COUNTY
BRIDGE NO: 228

DocuSigned by:
John A. Yannaccone
7BC36E9CE88E
STATE OF NORTH CAROLINA
PROFESSIONAL
SEAL
32492
ENGINEER
JOHN A. YANNACCONE

3/21/2016

STATE OF NORTH CAROLINA
DEPARTMENT OF TRANSPORTATION
RALEIGH
**TYPICAL SECTION
AND SURFACE
PREPARATION DETAILS**

DRAWN BY : H. T. BARBOUR DATE : 10-26-15
CHECKED BY : J. YANNACCONE DATE : 11-15

DOCUMENT NOT CONSIDERED
FINAL UNLESS ALL
SIGNATURES COMPLETED

REVISIONS						SHEET NO.
NO.	BY:	DATE:	NO.	BY:	DATE:	TOTAL SHEETS
1			3			122
2			4			