

NOTES

REPAIR LOCATIONS AND ESTIMATED QUANTITIES ARE GIVEN WITH THE BEST INFORMATION AVAILABLE. IF ADDITIONAL REPAIRS NOT SHOWN ON THE DRAWINGS ARE DEEMED NECESSARY BY THE ENGINEER, THE ENGINEER WILL NOTE ON THE DRAWINGS THE APPROXIMATE LOCATIONS AND DESCRIPTION OF THE REPAIRS AND ADJUST THE ACTUAL QUANTITIES ENTERED INTO THE AS-BUILT REPAIR QUANTITY TABLE.

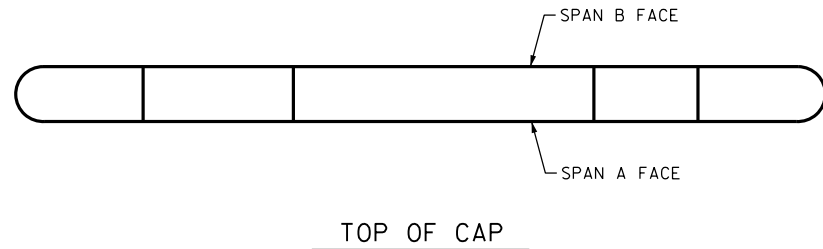
FOR CAP REPAIRS, SEE "TYPICAL CAP AND COLUMN REPAIR DETAILS" SHEET.

* QUANTITY HAS BEEN INCREASED DUE TO THE POTENTIAL FOR FURTHER DETERIORATION SINCE THE FIELD INSPECTION BY STRUCTURES MANAGEMENT UNIT.

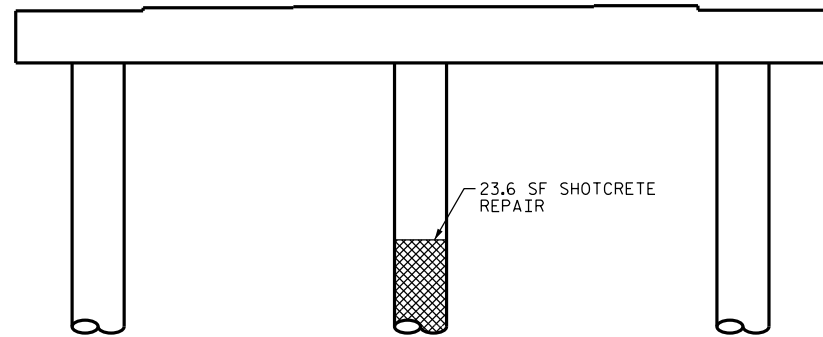
AS-BUILT REPAIR QUANTITY TABLE

REPAIRS BENT 1	QUANTITIES			
	ESTIMATE		ACTUAL	
SHOTCRETE REPAIRS	AREA SF	VOLUME CF	AREA SF	VOLUME CF
CAP	0.0	0.0		
COLUMN	66.0	55.7*		
EPOXY RESIN INJECTION			LN. FT	LN. FT
CAP			0.0	
COLUMN			0.0	
EPOXY COATING			SO. FT	SO. FT
TOP OF BENT CAP			0	

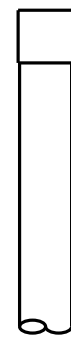
VALUES IN CHARTS REPRESENT ESTIMATED REPAIR TOTALS AFTER REMOVAL OF UNSOUND CONCRETE, MIN. OF 1" BEHIND REBAR AND MIN. 1" CLEAR TO SAWCUT.



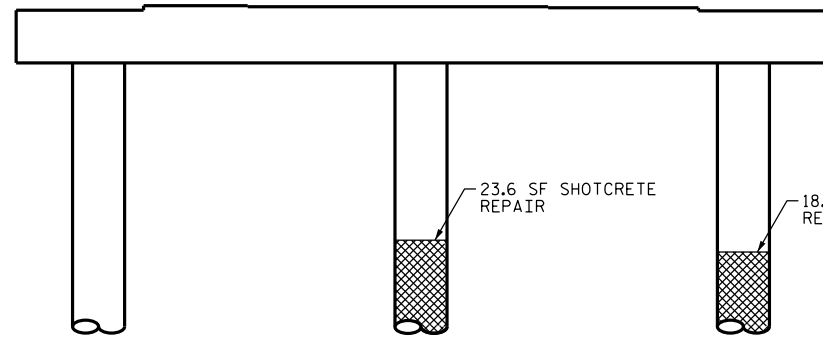
END VIEW
NORTH FACE



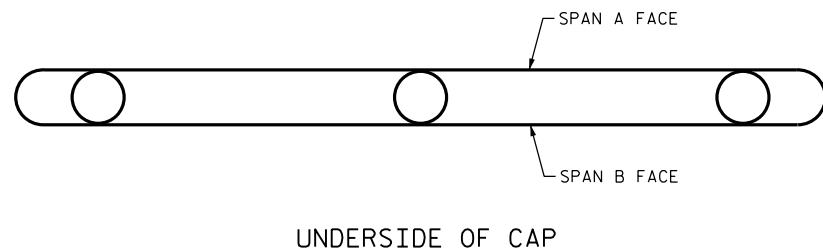
SPAN A FACE



END VIEW
SOUTH FACE



SPAN B FACE

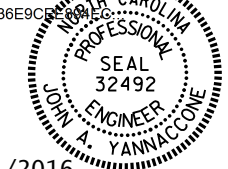


UNDERSIDE OF CAP

PROJECT NO. I-5756
HAYWOOD COUNTY
BRIDGE NO. 224

SHEET 1 OF 2

DocuSigned by:
John A. Yannaccone
7BC36E9C...



3/21/2016

STATE OF NORTH CAROLINA
DEPARTMENT OF TRANSPORTATION
RALEIGH

BENT 1

DRAWN BY : R. Z. DEAN DATE : 09/15
CHECKED BY : J. YANNACCONI DATE : 12/15

21-MAR-2016 13:15
R:\Structures\Final Drawings\430224\I5756_430224_SD.B*.dgn
Jayannaccone

DOCUMENT NOT CONSIDERED
FINAL UNLESS ALL
SIGNATURES COMPLETED

REVISIONS						SHEET NO.
NO.	BY:	DATE:	NO.	BY:	DATE:	TOTAL SHEETS
1			3			122
2			4			