

NOTES

FOR BRIDGE JOINT DEMOLITION, SEE SPECIAL PROVISIONS.
 FOR ELASTOMERIC CONCRETE, SEE SPECIAL PROVISIONS.
 FOR FOAM JOINT SEALS, SEE SPECIAL PROVISIONS.
 THE INSTALLED FOAM JOINT SEALS SHALL BE WATERTIGHT.
 NOMINAL UNCOMPRESSED SEAL WIDTH OF FOAM JOINT SEAL SHALL BE 2".
 THE CONTRACTOR WILL NOT BE PERMITTED TO FORM THE JOINT FOR THE FOAM JOINT SEAL IN LIEU OF SAWING THE JOINT.
 FOR ADHESIVELY ANCHORED DOWELS, NO FIELD TESTING IS REQUIRED. FOR ADHESIVELY ANCHORED ANCHOR BOLTS OR DOWELS, SEE ARTICLE 420-13 OF THE STANDARD SPECIFICATIONS.

BILL OF MATERIAL

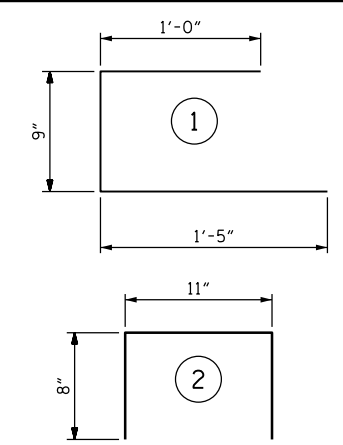
FOR ONE END BENT JOINT

BAR	NO.	SIZE	TYPE	LENGTH	WEIGHT
D1	4	#4	STR	1'-6"	4
K1	2	#4	STR	24'-2"	32
K2	2	#4	STR	17'-6"	24
K3	3	#4	STR	5'-8"	11
K4	3	#4	STR	9'-8"	19
S1	16	#4	1	3'-2"	34
S2	24	#4	2	2'-3"	36

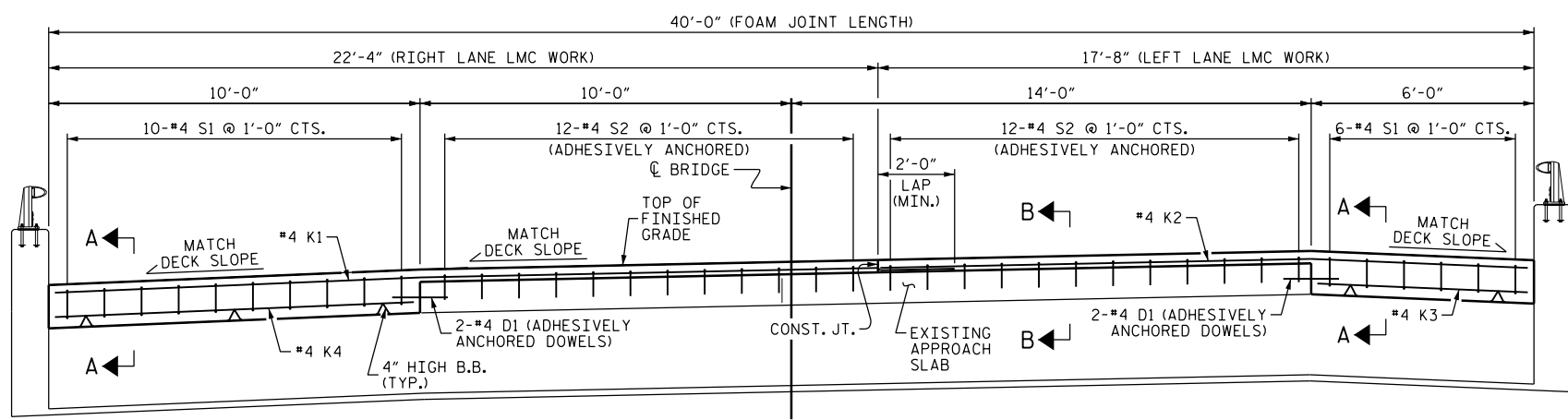
REINFORCING STEEL (FOR ONE END BENT JOINT) 160 LBS.

CLASS AA CONCRETE (FOR ONE END BENT JOINT) 1.9 CU. YDS.

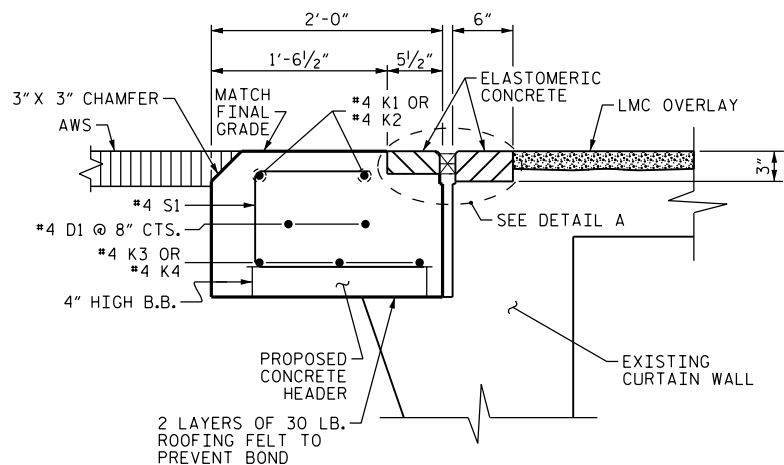
BAR TYPES



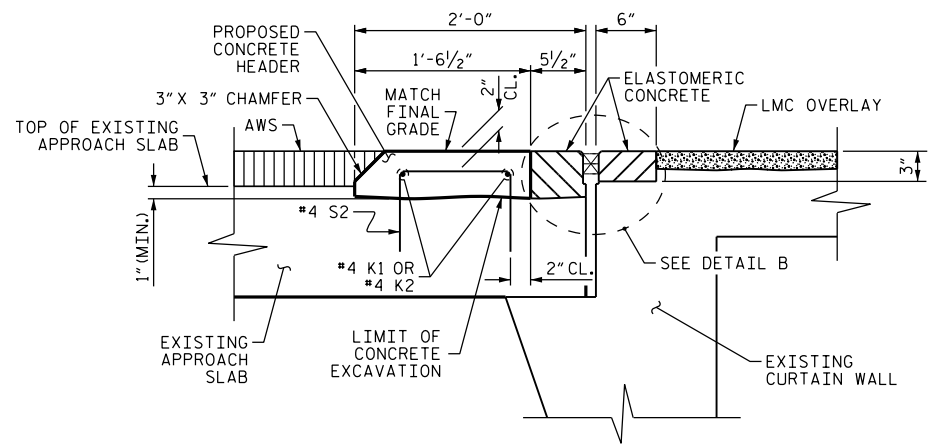
ALL BAR DIMENSIONS ARE OUT TO OUT.



TYPICAL SECTION
 (FILL FACE @ END BENT 1 SHOWN. END BENT 2 SIMILAR.)



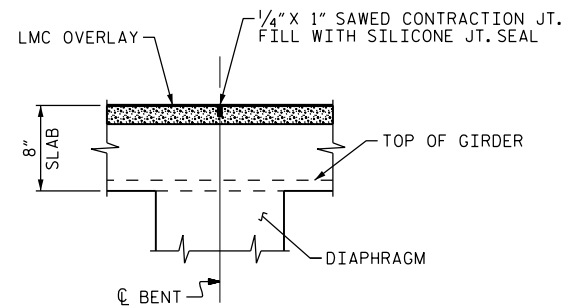
SECTION A-A



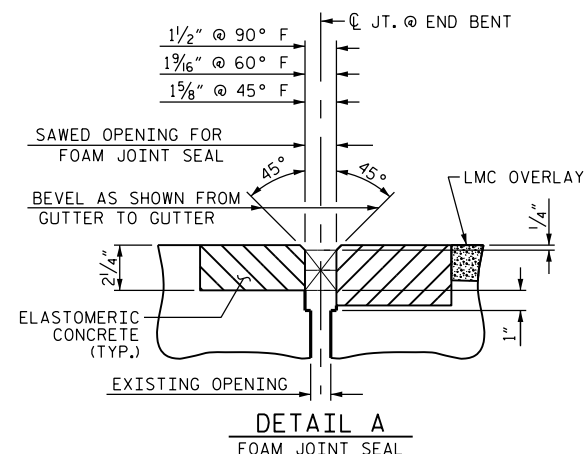
SECTION B-B

ELASTOMERIC CONCRETE		
END BENT 1	10.5	(CU. FT.)
END BENT 2	10.5	(CU. FT.)
* TOTAL	21.0	(CU. FT.)

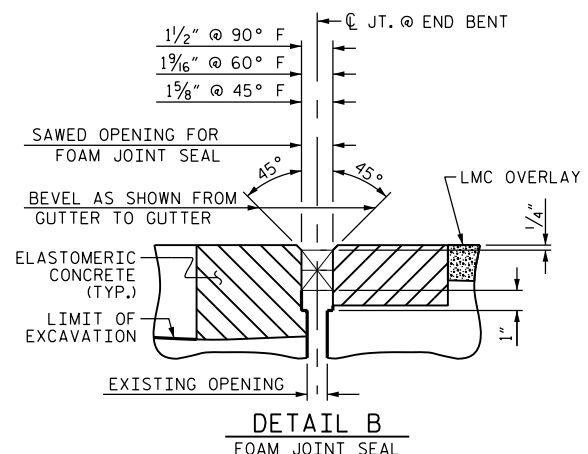
* BASED ON THE MINIMUM BLOCKOUT SHOWN.



SECTION C-C



DETAIL A
 FOAM JOINT SEAL



DETAIL B
 FOAM JOINT SEAL

DocuSigned by:
 John A. Yannaccone
 7BC36E9C
 NORTH CAROLINA PROFESSIONAL SEAL 32492
 JOHN A. YANNACCONI
 ENGINEER

3/21/2016

PROJECT NO. I-5756
 HAYWOOD COUNTY
 BRIDGE NO. 222

STATE OF NORTH CAROLINA
 DEPARTMENT OF TRANSPORTATION
 RALEIGH

JOINT DETAILS

DRAWN BY: J. YANNACCONI DATE: 3/16
 CHECKED BY: S. WANCE DATE: 3/16

DOCUMENT NOT CONSIDERED FINAL UNLESS ALL SIGNATURES COMPLETED

REVISIONS						SHEET NO.
NO.	BY:	DATE:	NO.	BY:	DATE:	S-42
1			3			TOTAL SHEETS
2			4			122