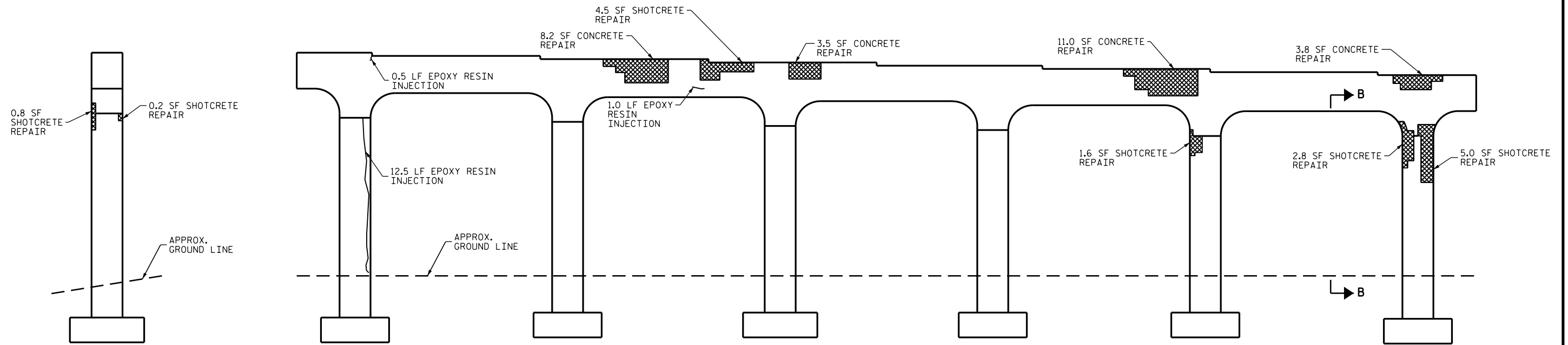


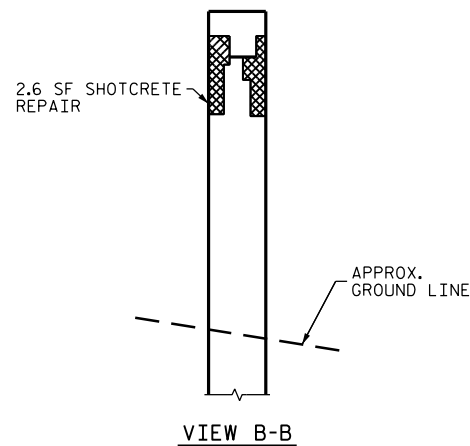
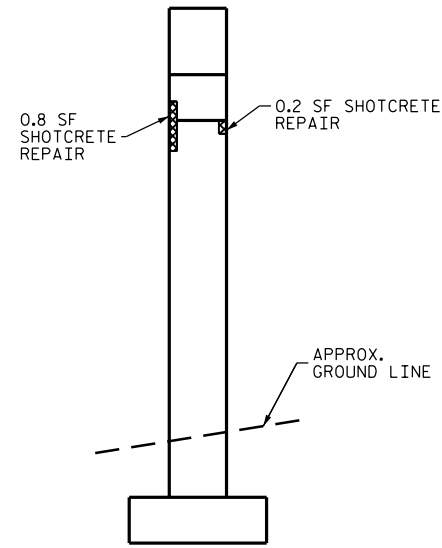
 DAMAGED AREA

BOTTOM OF CAP



ELEVATION

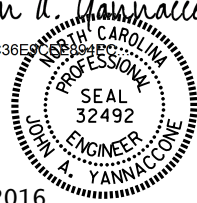
END VIEW
(SOUTH SIDE)



VIEW B-B

PROJECT NO. I-5756
HAYWOOD COUNTY
 BRIDGE NO. 183

SHEET 2 OF 6

DocuSigned by:
John A. Yannaccone
 7BC36E90-0840-404C-8040-000000000000


3/21/2016

STATE OF NORTH CAROLINA
 DEPARTMENT OF TRANSPORTATION
 RALEIGH

BENT 1
 SPAN B FACE

DRAWN BY : R. BRANNON DATE : 11/15
 CHECKED BY : J. YANNACCONE DATE : 12/15

21-MAR-2016 13:14
 R:\Structures\Final Drawings\430183\183_50_B*.dgn
 Jayannaccone

DOCUMENT NOT CONSIDERED
 FINAL UNLESS ALL
 SIGNATURES COMPLETED

REVISIONS						SHEET NO.
NO.	BY:	DATE:	NO.	BY:	DATE:	TOTAL SHEETS
1			3			S-11
2			4			122