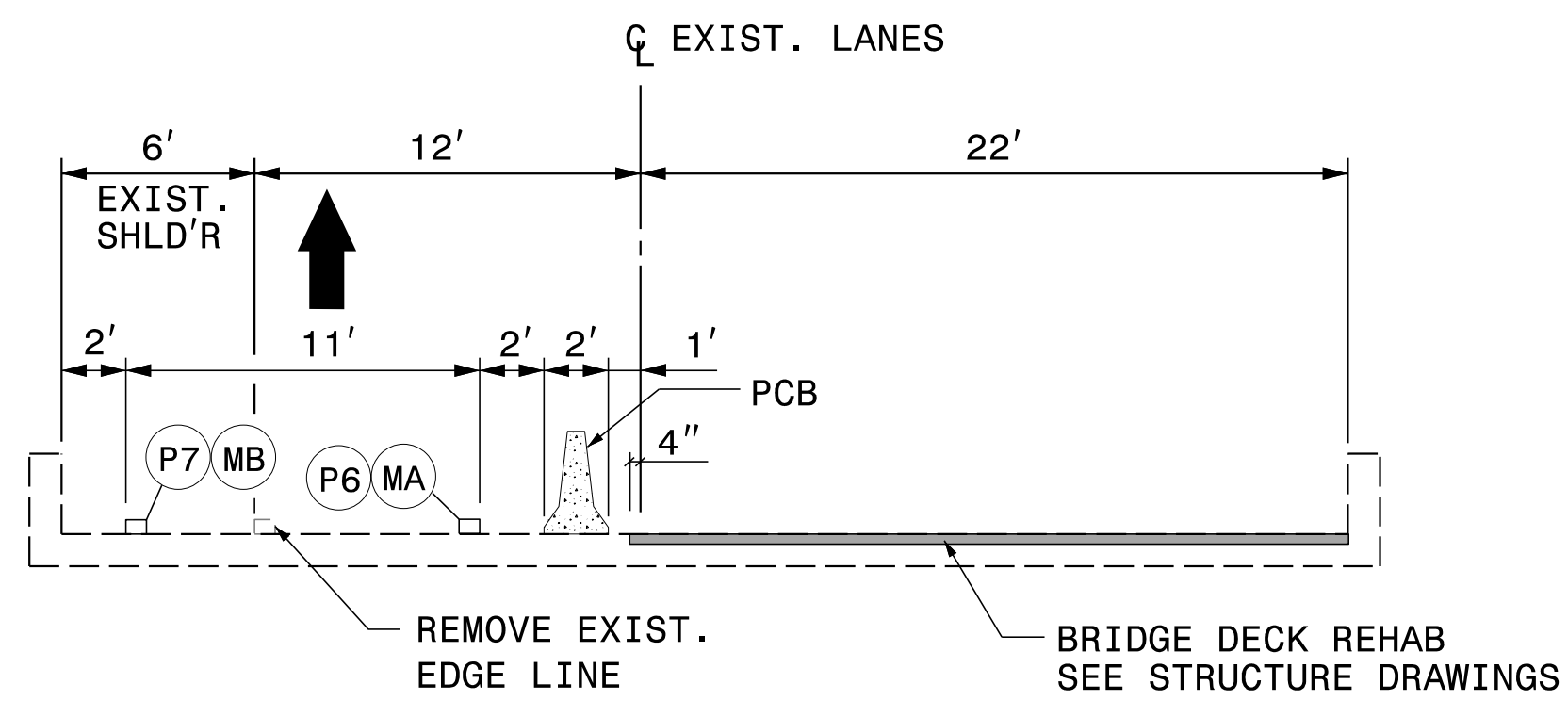
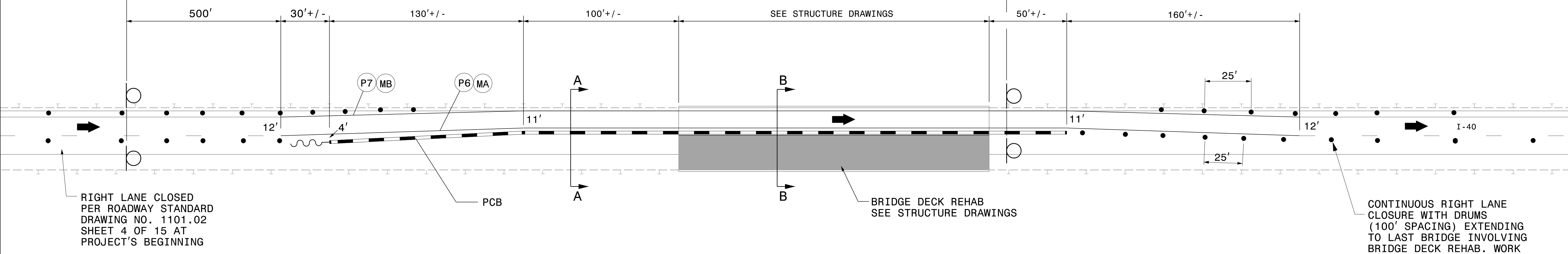
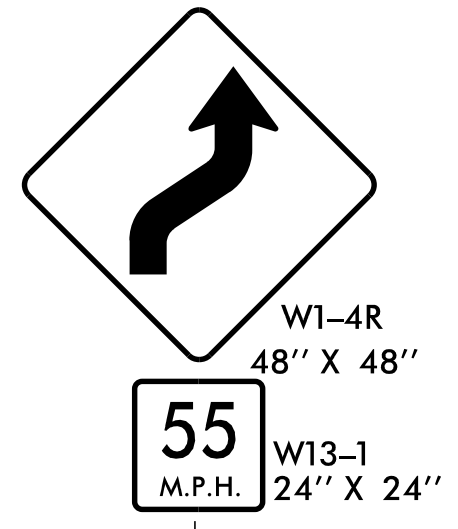
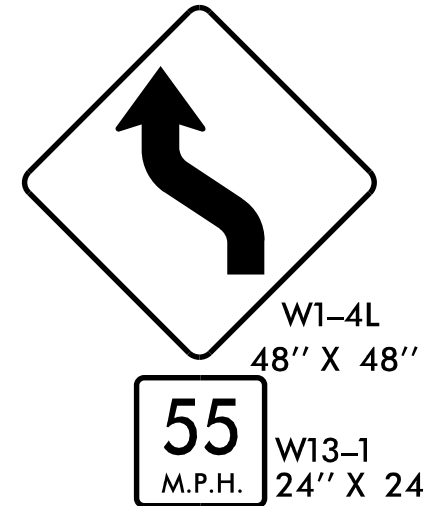


TEMPORARY PAVEMENT MARKING/MARKER LEGEND	
(P6)	6" PAINT - WHITE EDGELINE
(P7)	6" PAINT - YELLOW EDGELINE
(PK)	6" PAINT - 3'-6' WHITE MINISKIP
(C6)	6" COLD APPLIED PLASTIC TYPE 4 REM. TAPE - WHITE EDGELINE
(C7)	6" COLD APPLIED PLASTIC TYPE 4 REM. TAPE - YELLOW EDGELINE
(MA)	CRYSTAL/RED TEMP. RAISED PAVEMENT MARKER
(MB)	YELLOW/YELLOW TEMP. RAISED PAVEMENT MARKER

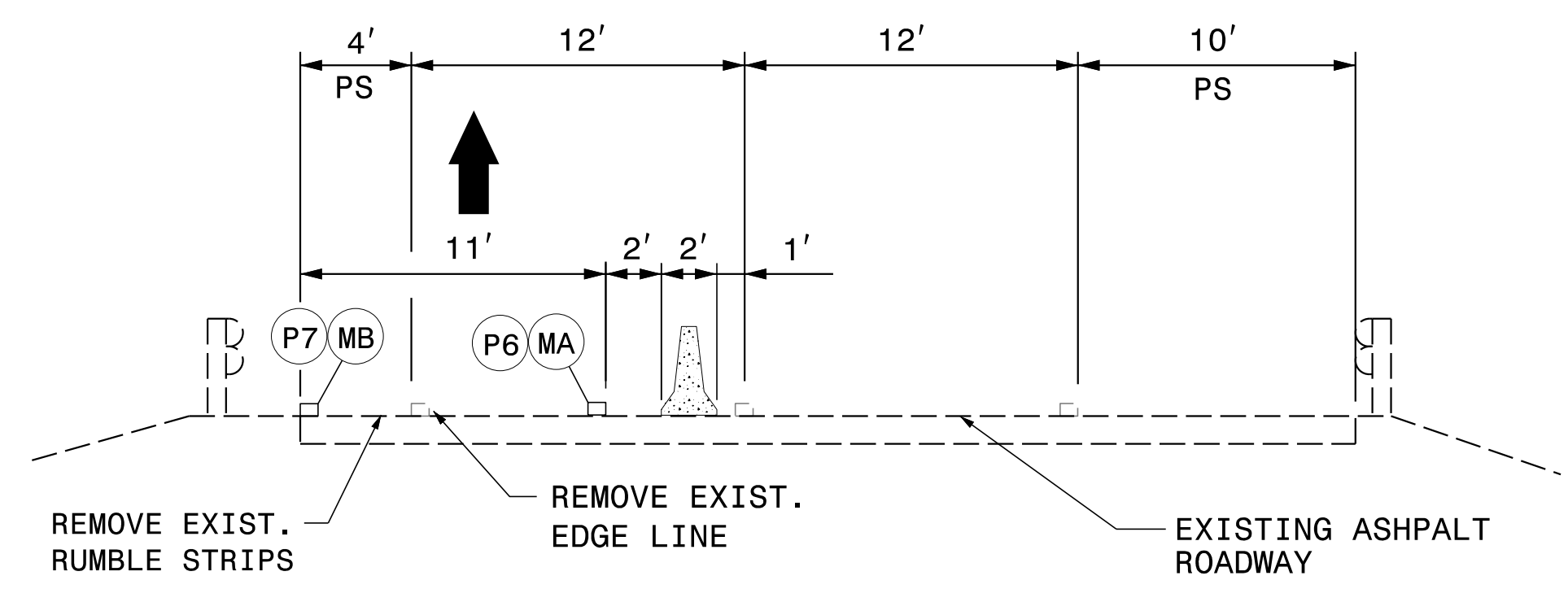


SECTION B-B



RIGHT LANE CLOSED PER ROADWAY STANDARD DRAWING NO. 1101.02 SHEET 4 OF 15 AT PROJECT'S BEGINNING

CONTINUOUS RIGHT LANE CLOSURE WITH DRUMS (100' SPACING) EXTENDING TO LAST BRIDGE INVOLVING BRIDGE DECK REHAB. WORK



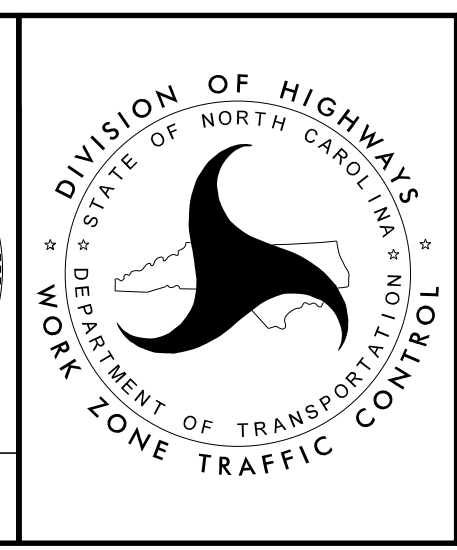
SECTION A-A

APPROVED: *J. W. Woolard, Jr.*  
079C18E6AD8427

DATE: 2/2/2016

**PROFESSIONAL SEAL**  
 019862  
 ENGINEER  
 J. W. WOOLARD, JR.

**DOCUMENT NOT CONSIDERED FINAL UNLESS ALL SIGNATURES COMPLETED**



**I-40 EB AND WB RIGHT LANE CLOSURE FOR BRIDGE DECK REHABS**

2/2/2016  
 P:\TIP\Projects\N5756\TrafficControl\TCP\N5756\_TC\_TMP\_04.dgn  
 User:rmgarratt