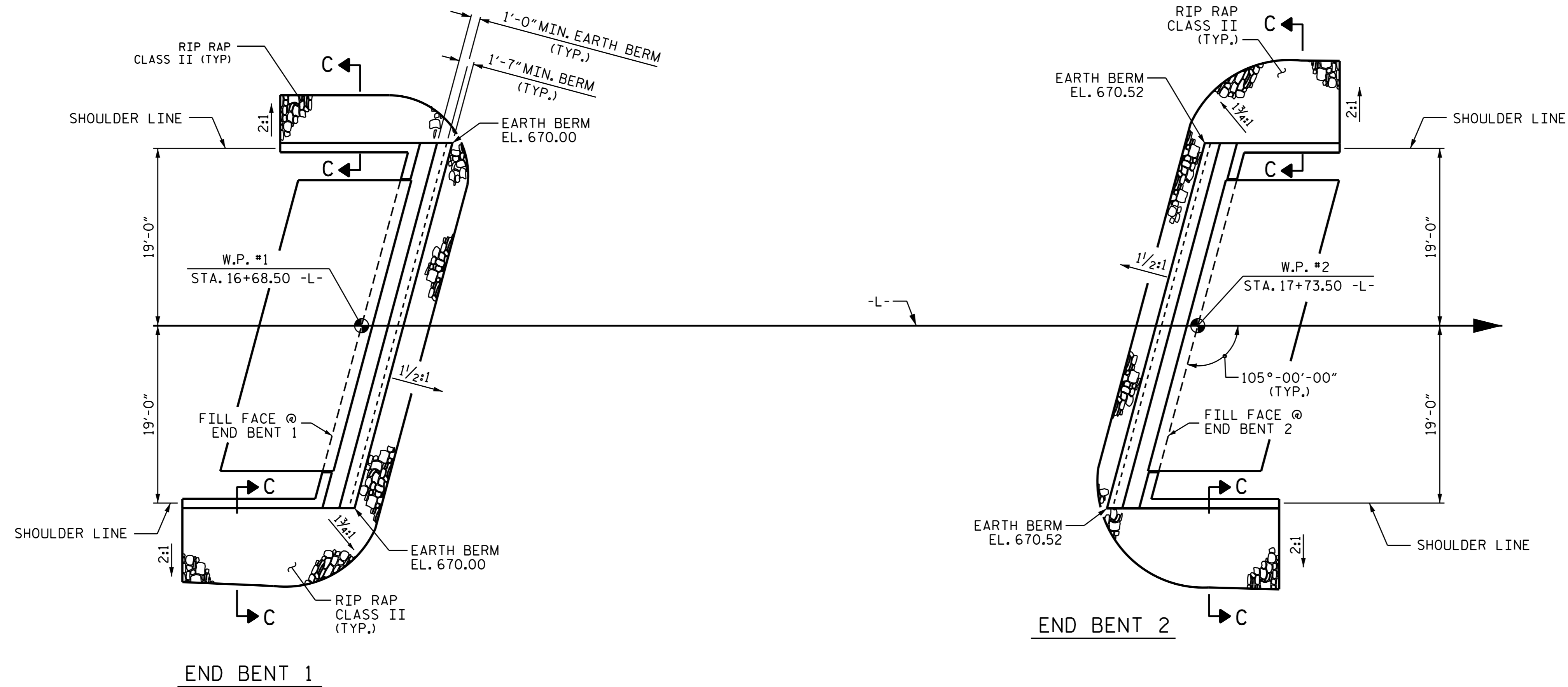
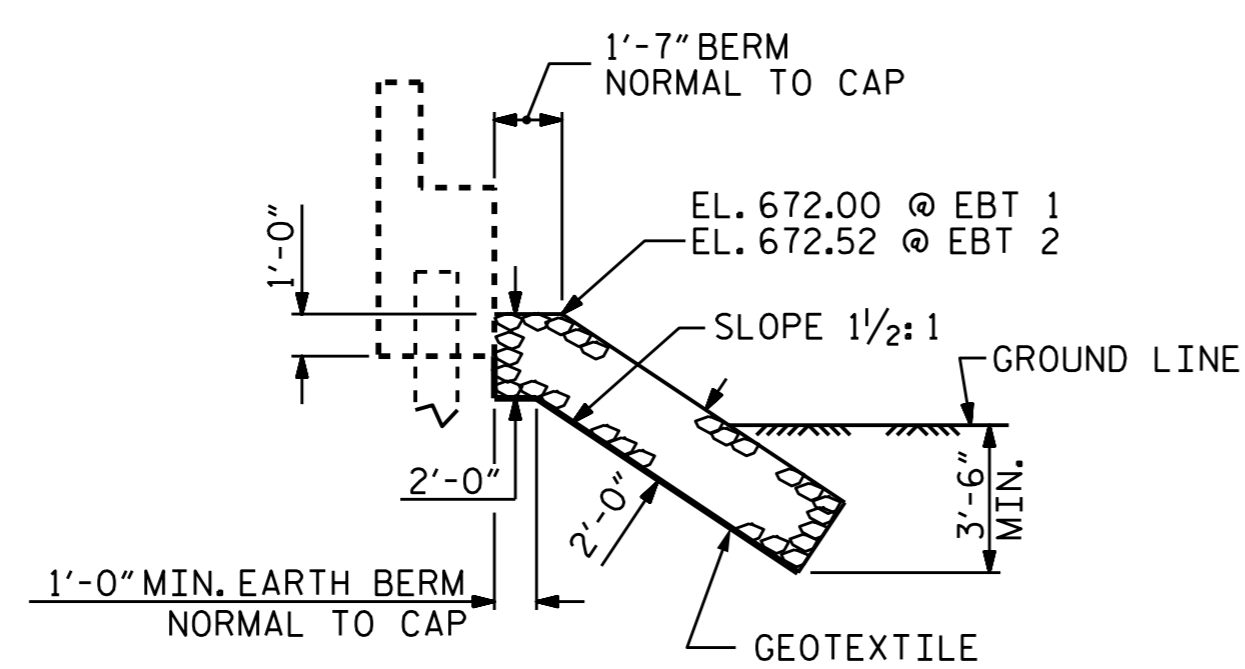


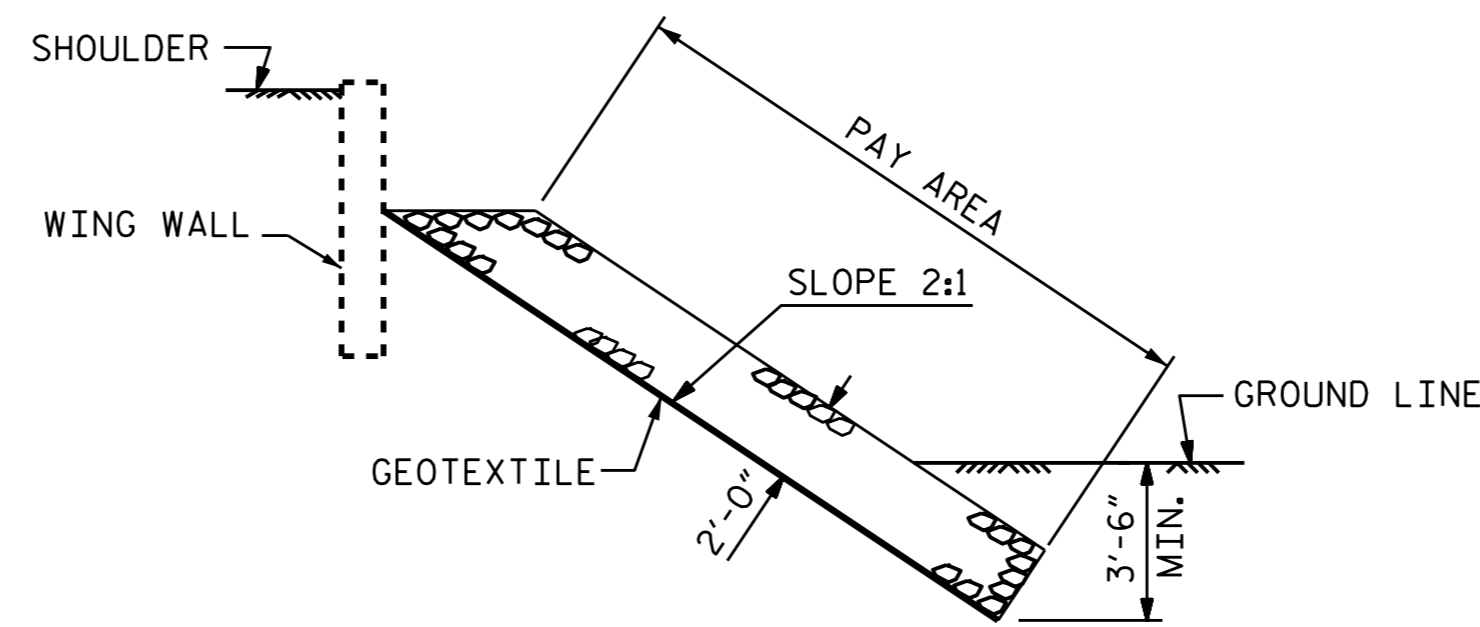
ESTIMATED QUANTITIES		
BRIDGE @ STA. 17+21.00 -L-	RIP RAP CLASS II (2'-0" THICK)	GEOTEXTILE FOR DRAINAGE
	TONS	SQUARE YARDS
END BENT 1	45	50
END BENT 2	50	55



PLAN OF RIP RAP



SECTION C-C  
BERM RIP RAPPED



SECTION C-C

PROJECT NO. B-5344  
GUILFORD COUNTY  
STATION: 17+21.00 -L-



Designed by: *Ting Fang* 3/22/2016

STATE OF NORTH CAROLINA  
DEPARTMENT OF TRANSPORTATION  
RALEIGH  
STANDARD  
RIP RAP DETAILS

ASSEMBLED BY : H. B. DESAI	DATE : 5-26-15
CHECKED BY : D. J. POZOS	DATE : 8-03-15
DRAWN BY : REK 1/84	REV. 5/1/06R TLA/GM
CHECKED BY : RDU 1/84	REV. 10/1/11 MAA/GM
	REV. 12/21/11 MAA/GM

DOCUMENT NOT CONSIDERED  
FINAL UNLESS ALL  
SIGNATURES COMPLETED

REVISIONS						SHEET NO. S-15
NO.	BY:	DATE:	NO.	BY:	DATE:	
1			3			TOTAL SHEETS 16
2			4			