

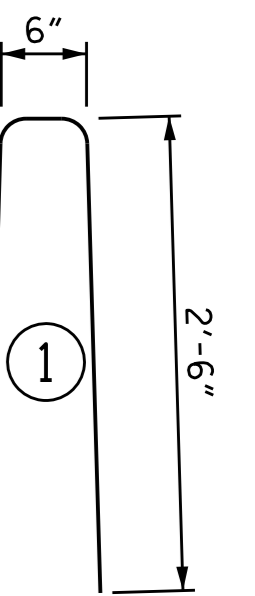
ELASTOMERIC BEARING DETAILS

ELASTOMER IN ALL BEARINGS SHALL BE 60 DUROMETER HARDNESS.

BILL OF MATERIAL FOR VERTICAL CONCRETE BARRIER RAIL					
BAR	BARS PER PAIR OF EXTERIOR UNITS	SIZE	TYPE	LENGTH	WEIGHT
102'-8 1/16" UNIT					
* B11	128	#5	STR	15'-11"	2125
* S6	276	#5	1	5'-6"	1583
* EPOXY COATED REINFORCING STEEL				LBS.	3708
CLASS AA CONCRETE				CU.YDS.	20.1
TOTAL VERTICAL CONCRETE BARRIER RAIL				LIN. FT.	205.342

GUTTERLINE ASPHALT THICKNESS & RAIL HEIGHT		
	ASPHALT OVERLAY THICKNESS @ MID-SPAN	RAIL HEIGHT @ MID-SPAN
102'-8 1/16" UNITS	1 5/8"	2'-9 7/8"

BAR TYPE



BAR DIMENSIONS ARE OUT TO OUT

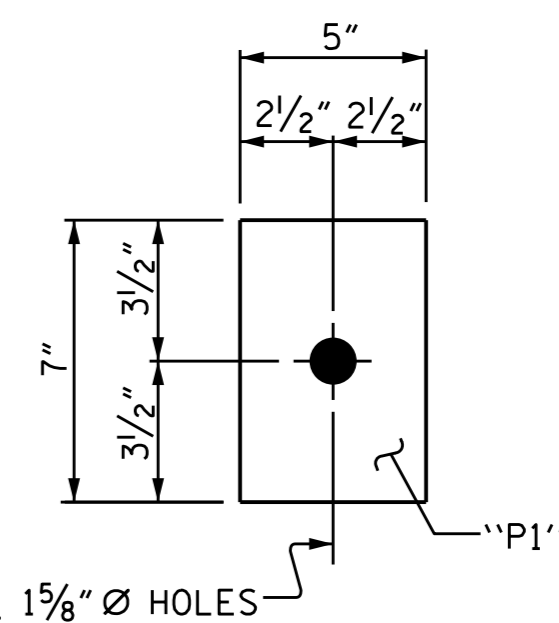
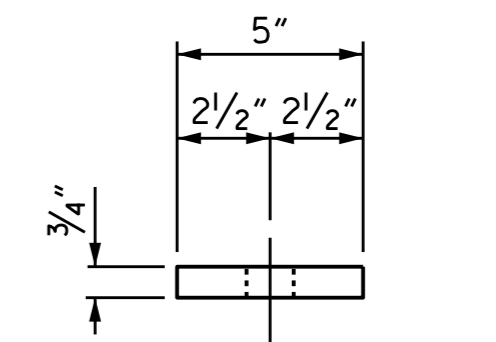
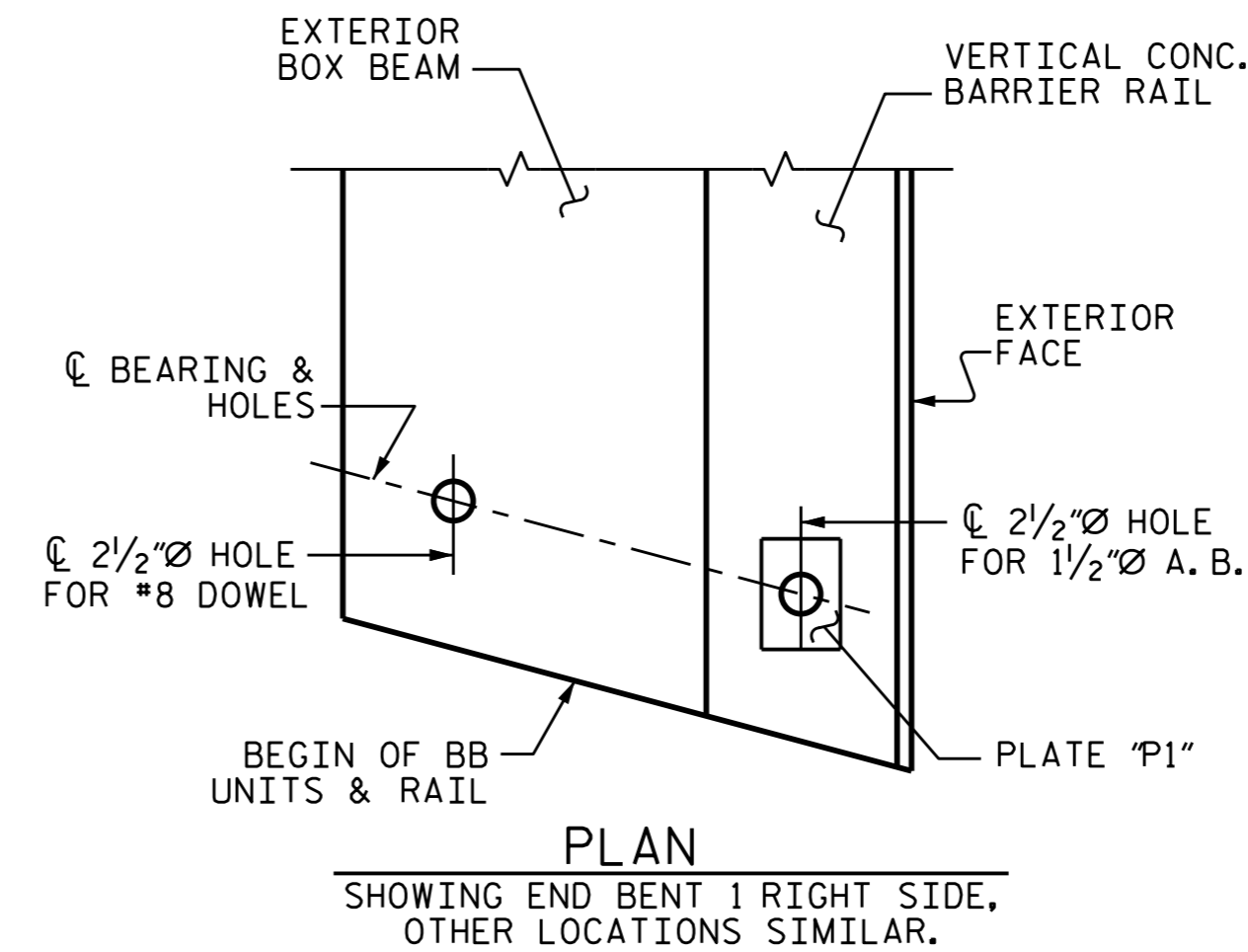
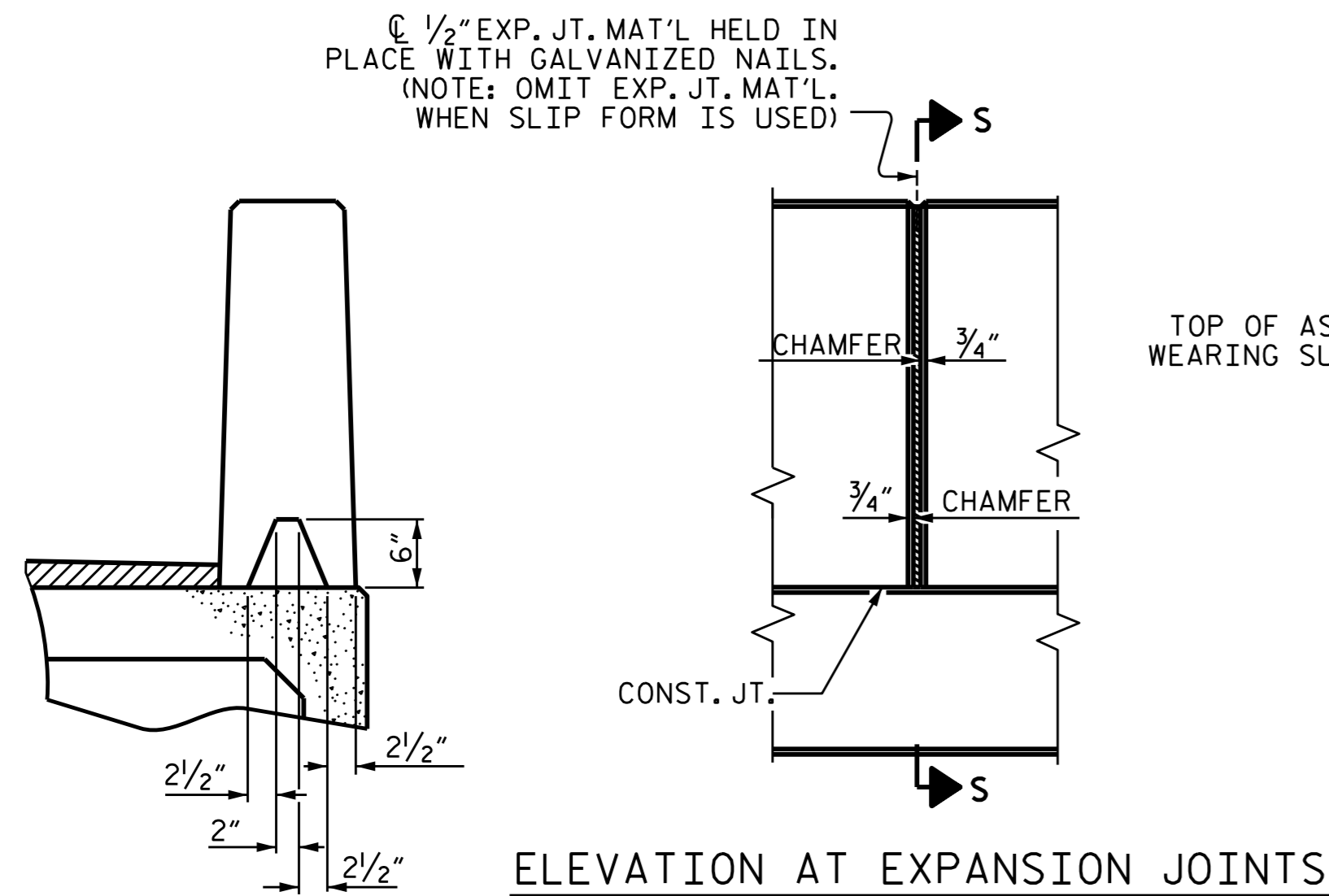


PLATE "P1" DETAILS
(4 REQ'D. PER BOX BEAM)

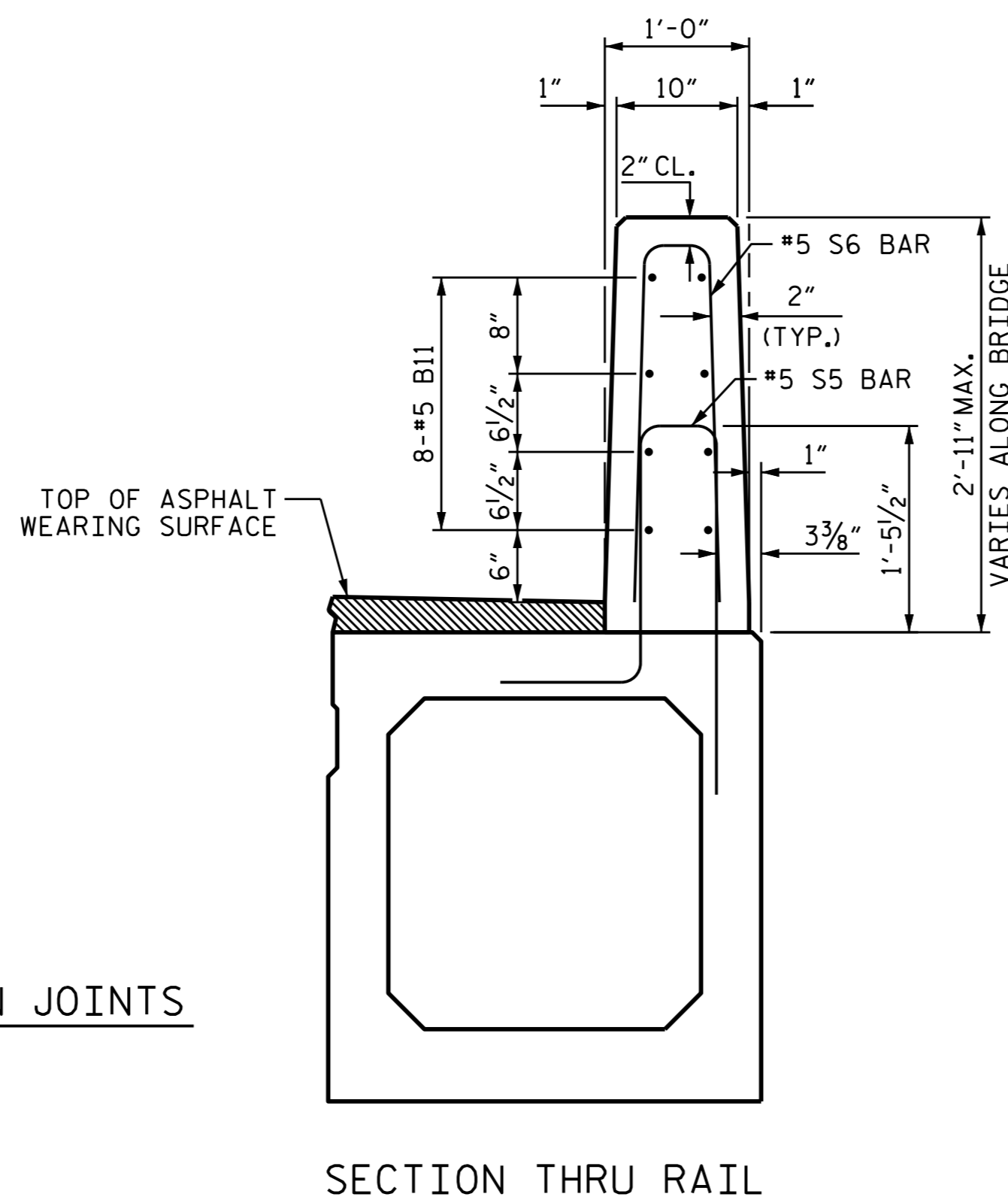


Drawn By: Ting Fang
E720840077435

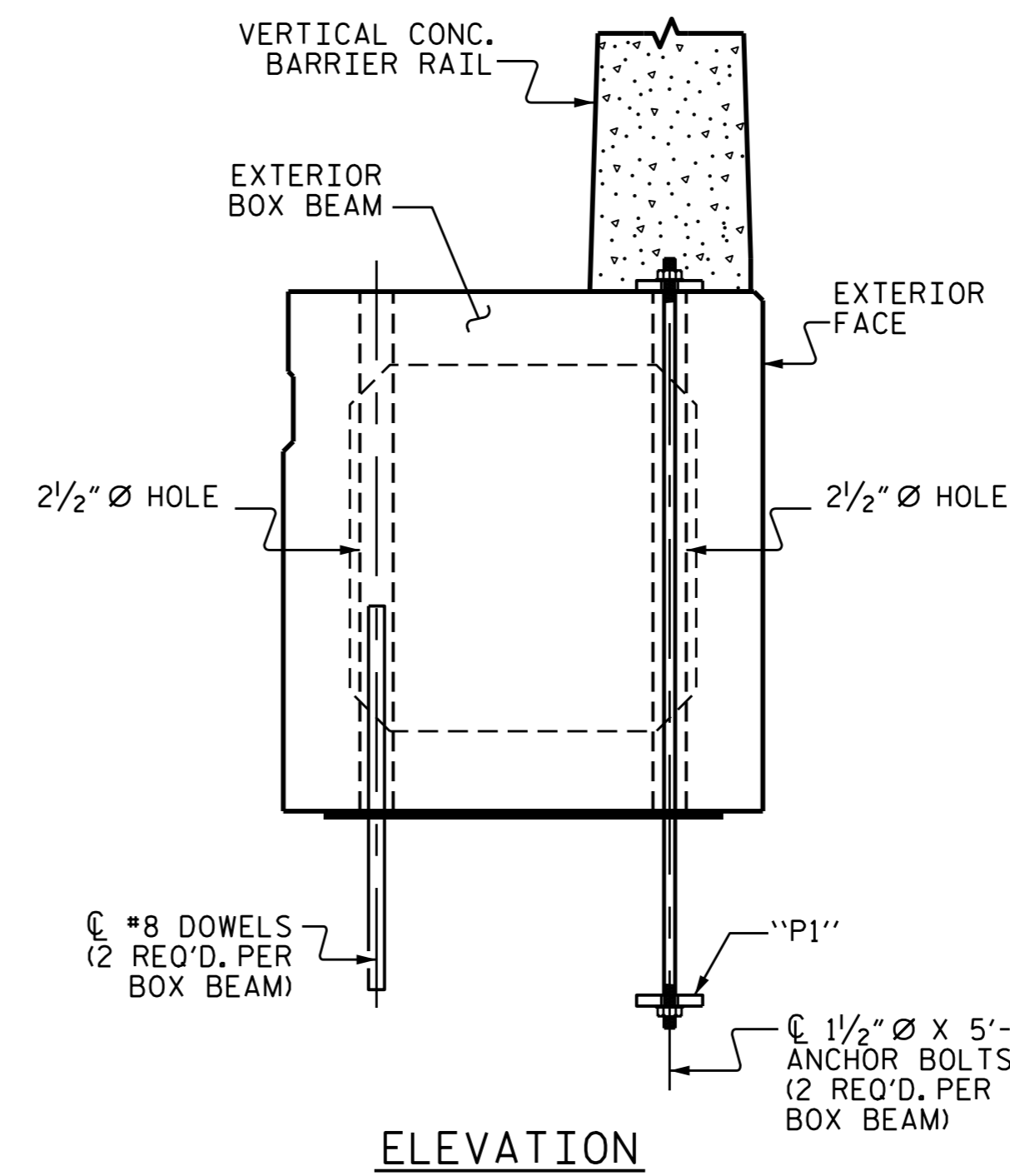
3/22/2016



SECTION S-S
AT DAM IN OPEN JOINT
(THIS IS TO BE USED ONLY WHEN SLIP FORM IS USED)



SECTION THRU RAIL



ELEVATION

ANCHOR BOLT DETAILS
(ON EXTERIOR BOX BEAM ONLY)

PROJECT NO. B-5344
GUILFORD COUNTY
STATION: 17+21.00 -L-

SHEET 5 OF 5

STATE OF NORTH CAROLINA
DEPARTMENT OF TRANSPORTATION
RALEIGH
STANDARD
3'-0" X 3'-3"
PRESTRESSED CONCRETE
BOX BEAM UNIT

ASSEMBLED BY: H. B. DESAI DATE: 5-19-15
CHECKED BY: D. J. POZOS DATE: 8-03-15

DRAWN BY: DGE 10/11
CHECKED BY: TMG 11/11

DOCUMENT NOT CONSIDERED
FINAL UNLESS ALL
SIGNATURES COMPLETED

REVISIONS						SHEET NO. S-9
NO.	BY:	DATE:	NO.	BY:	DATE:	
1			3			TOTAL SHEETS 16
2			4			