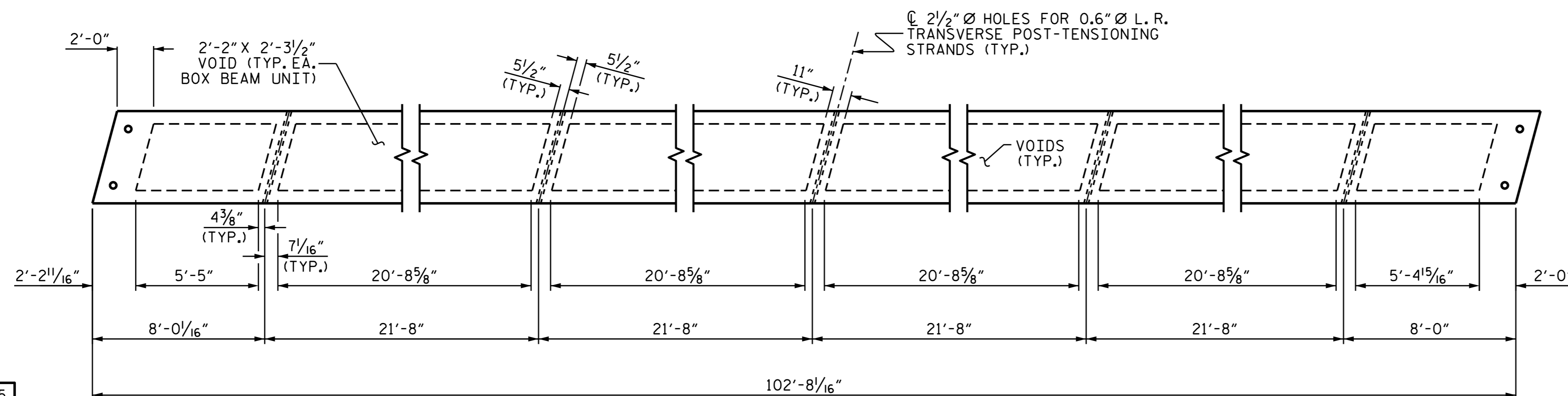


PLAN OF SPAN A



DIAPHRAGM AND VOID LAYOUT

PROJECT NO. B-5344  
GUILFORD COUNTY  
 STATION: 17+21.00 -L-

SHEET 2 OF 5



DocuSigned by:  
Ting Fang

3/22/2016

STATE OF NORTH CAROLINA  
 DEPARTMENT OF TRANSPORTATION  
 RALEIGH  
 SUPERSTRUCTURE  
 PLAN OF SPAN A  
 105° SKEW

ASSEMBLED BY : H. B. DESAI DATE : 05-15-15  
 CHECKED BY : D. J. POZOS DATE : 08-03-15  
 DRAWN BY : DGE 8/11  
 CHECKED BY : TMG 11/11

22-MAR-2016 11:56  
 K:\TIP\Projects-B\B5344\Structures\Plans\Final Plans\B5344.sd.bb.dgn  
 t.fang

DOCUMENT NOT CONSIDERED  
 FINAL UNLESS ALL  
 SIGNATURES COMPLETED

REVISIONS						SHEET NO. S-6
NO.	BY:	DATE:	NO.	BY:	DATE:	
1			3			TOTAL SHEETS 16
2			4			