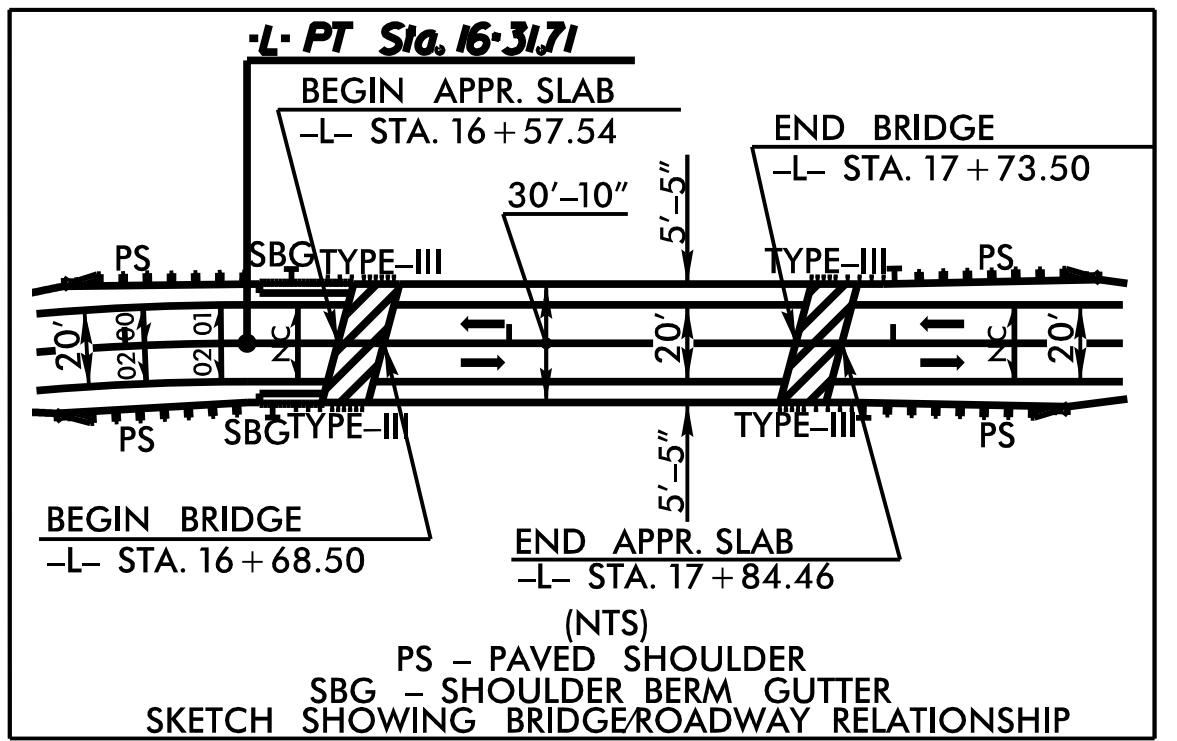


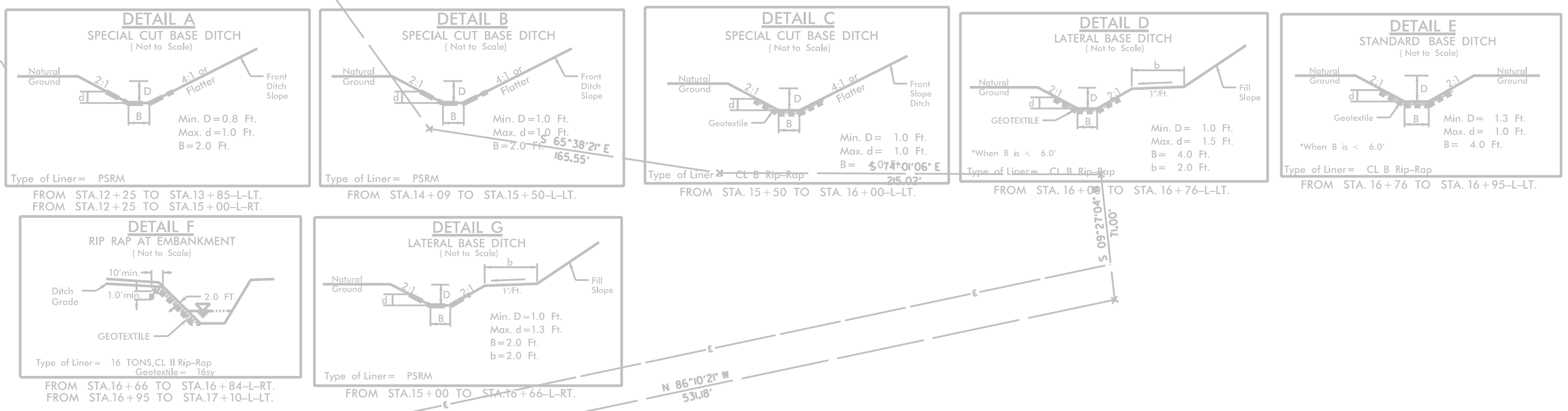
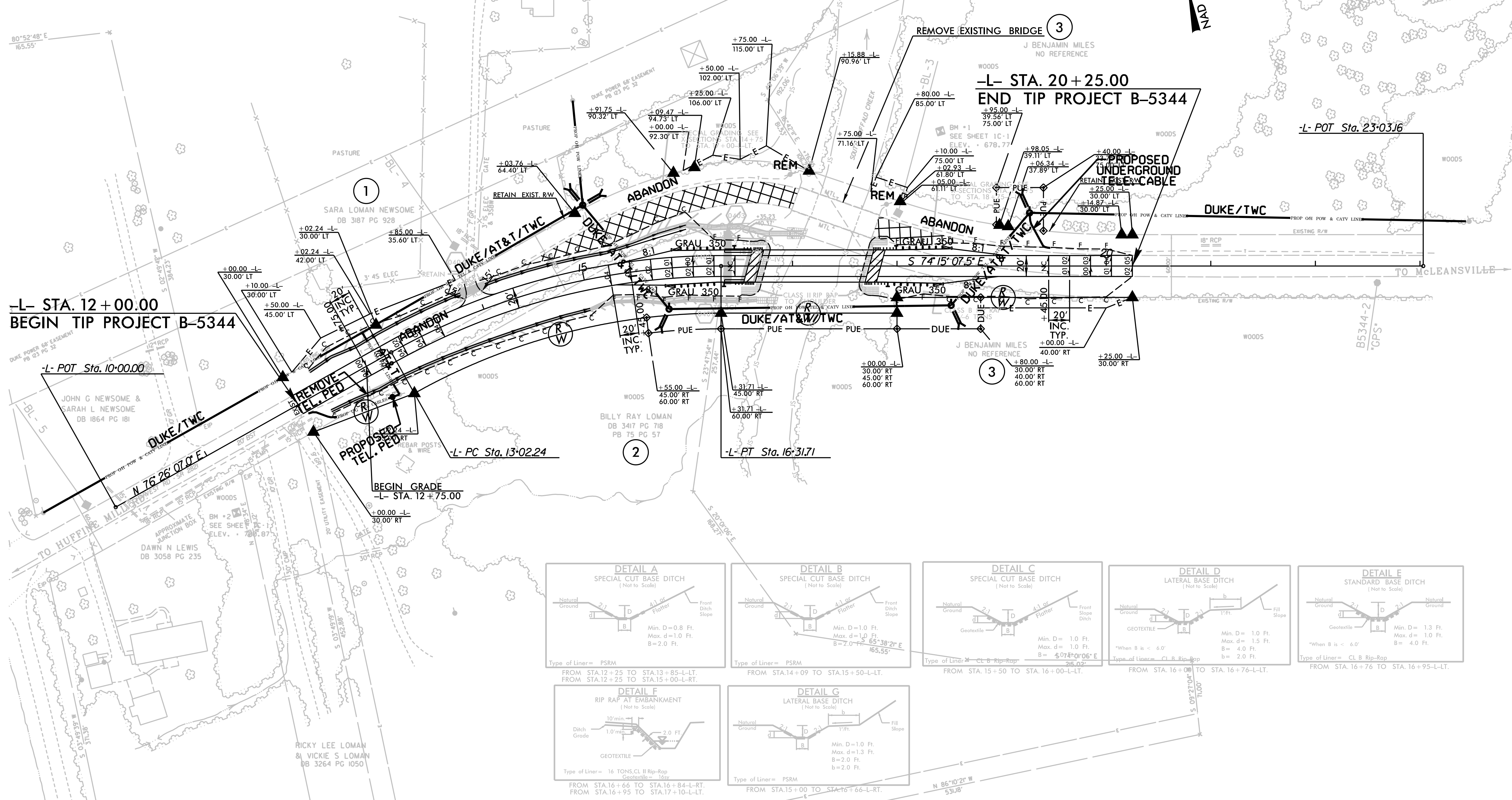
UTILITIES BY OTHERS

NOTE:
ALL PROPOSED UTILITY WORK SHOWN ON THIS SHEET WILL BE DONE BY OTHERS. NO PAYMENT WILL BE MADE TO THE CONTRACTOR FOR PROPOSED UTILITY WORK SHOWN ON THIS SHEET.



-L-
PI Sta 14+70.66
 $\Delta = 29' 18' 45.5'' (RT)$
 $D = 8' 53' 48.7''$
 $L = 329.47'$
 $T = 168.43'$
 $R = 644.00'$
SE * SEE PLANS

NOTE: OVERLAY AND WEDGE PAVEMENT TO TRANSITION SUPERELEVATION FROM EXISTING AT -L- STA. 12+00.00 TO BEGIN GRADE AT -L- STA. 12+75.00.



*DESIGN EXCEPTION REQUIRED FOR DESIGN SPEED. SEE SHEET 5 FOR -L- PROFILE SEE SHEETS S-1 THRU S-? FOR STRUCTURE PLANS

REVISIONS

8/17/99