

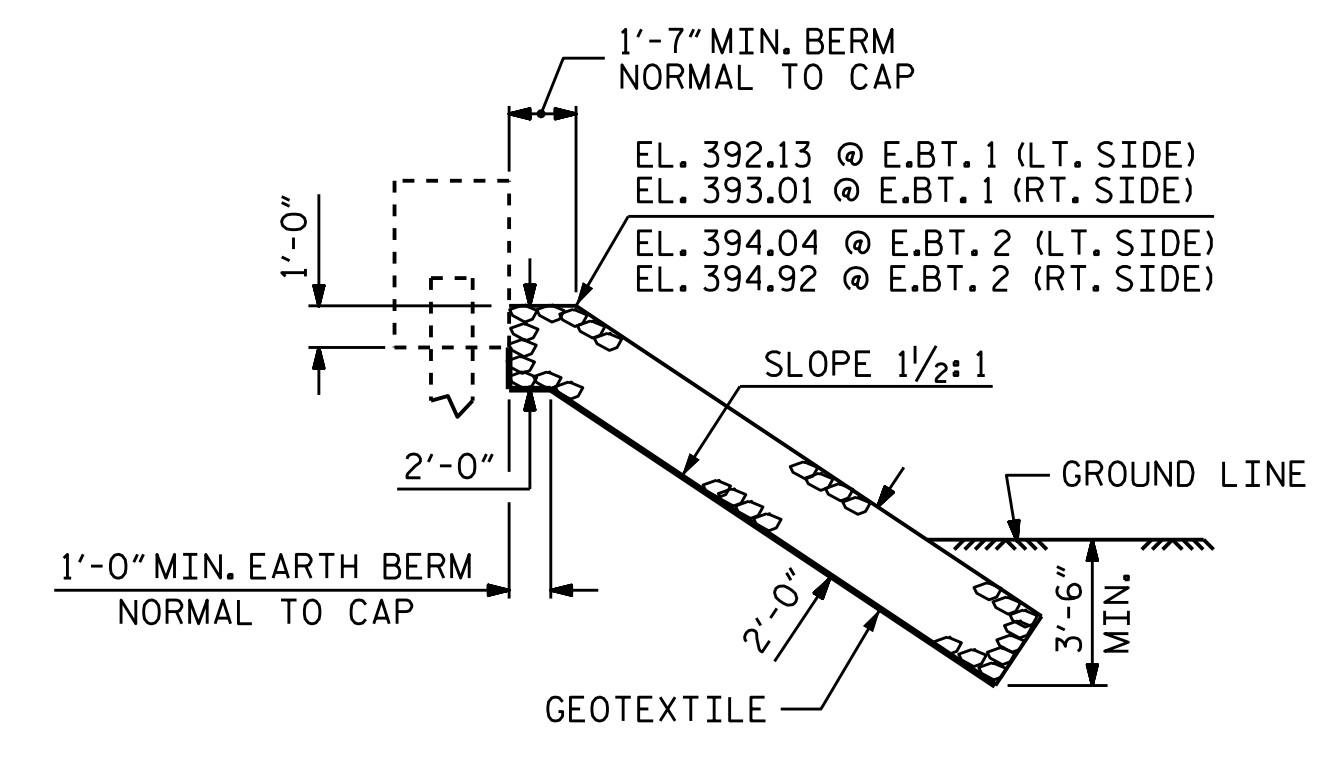
ESTIMATED QUANTITIES		
BRIDGE @ STA. 15+12.00 -L-	RIP RAP CLASS II (2'-0" THICK)	GEOTEXTILE FOR DRAINAGE
	TONS	SQUARE YARDS
END BENT 1	190	215
END BENT 2	280	310

(QUANTITIES INCLUDE BANK STABILIZATION)

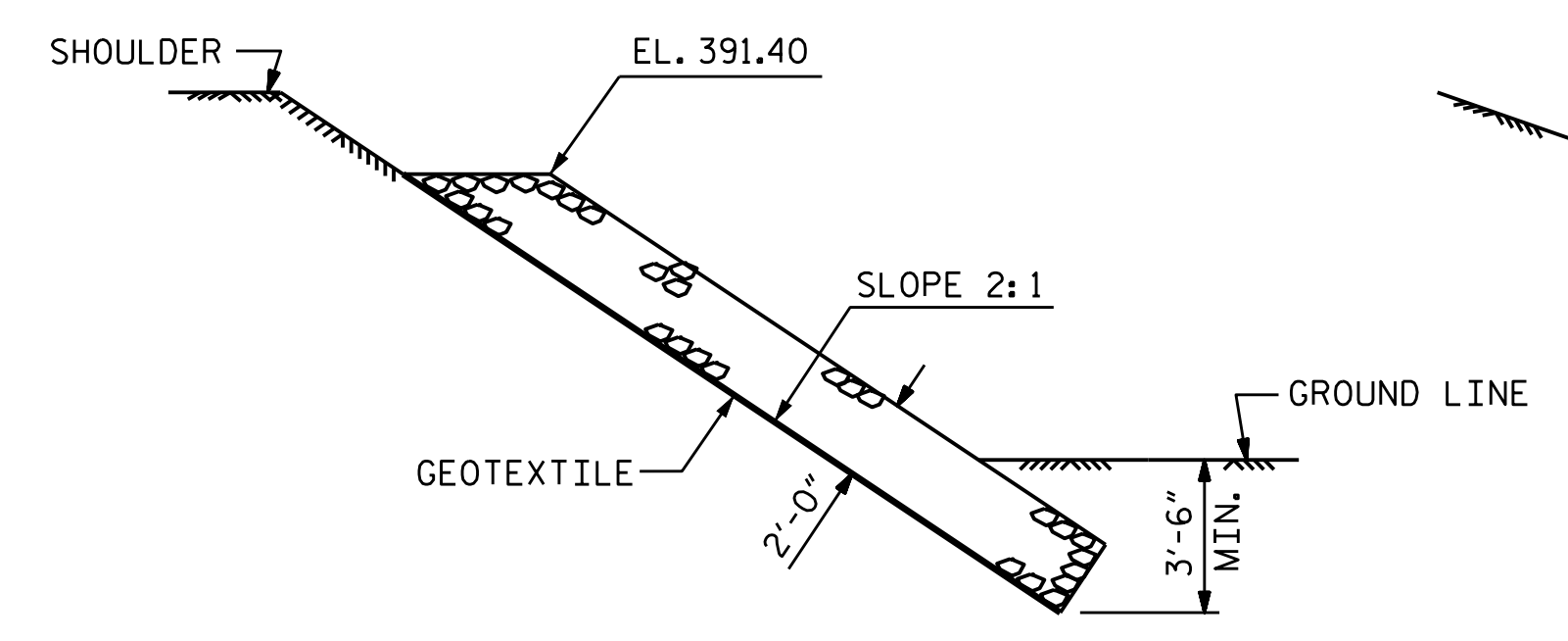
END BENT 1

PLAN

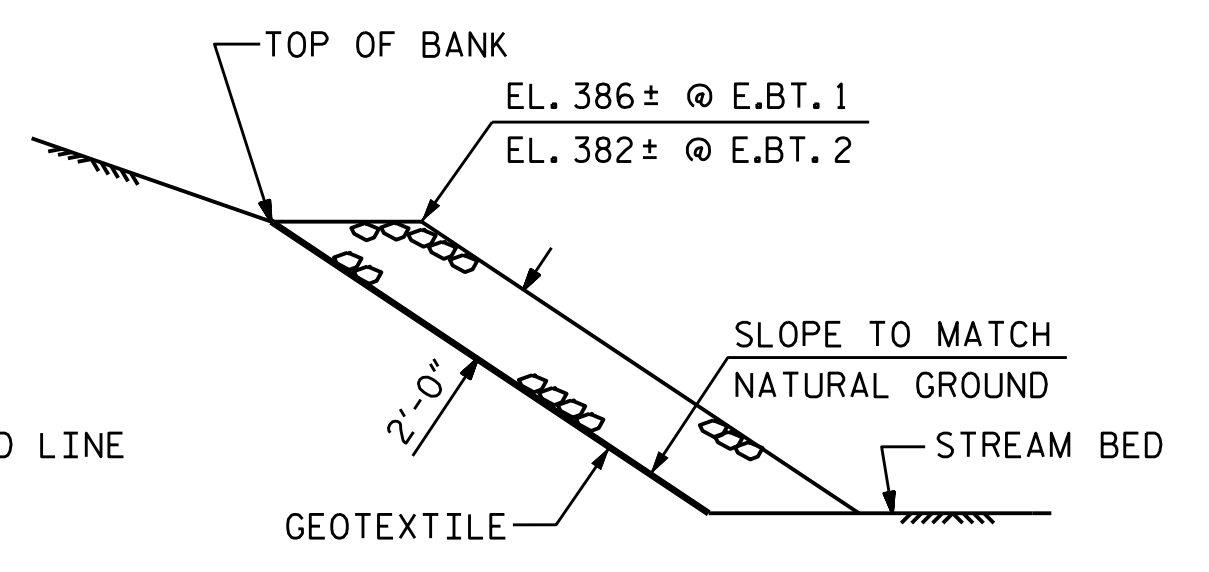
END BENT 2



SECTION C-C



SECTION C-C



SECTION D-D

PROJECT NO. B-5171
GRANVILLE COUNTY
 STATION: 15+12.00 -L-



REVISIONS						SHEET NO.
NO.	BY:	DATE:	NO.	BY:	DATE:	S-17
1			3			TOTAL SHEETS
2			4			18

ASSEMBLED BY :	A. SORSENGIH	DATE :	2/2015
CHECKED BY :	JP ADAMS	DATE :	11/2015
DRAWN BY :	REK 1/84	REV. 5/1/06R	TLA/GM
CHECKED BY :	ROU 1/84	REV. 10/1/11	MAA/GM
		REV. 12/21/11	MAA/GM

DOCUMENT NOT CONSIDERED
 FINAL UNLESS ALL
 SIGNATURES COMPLETED