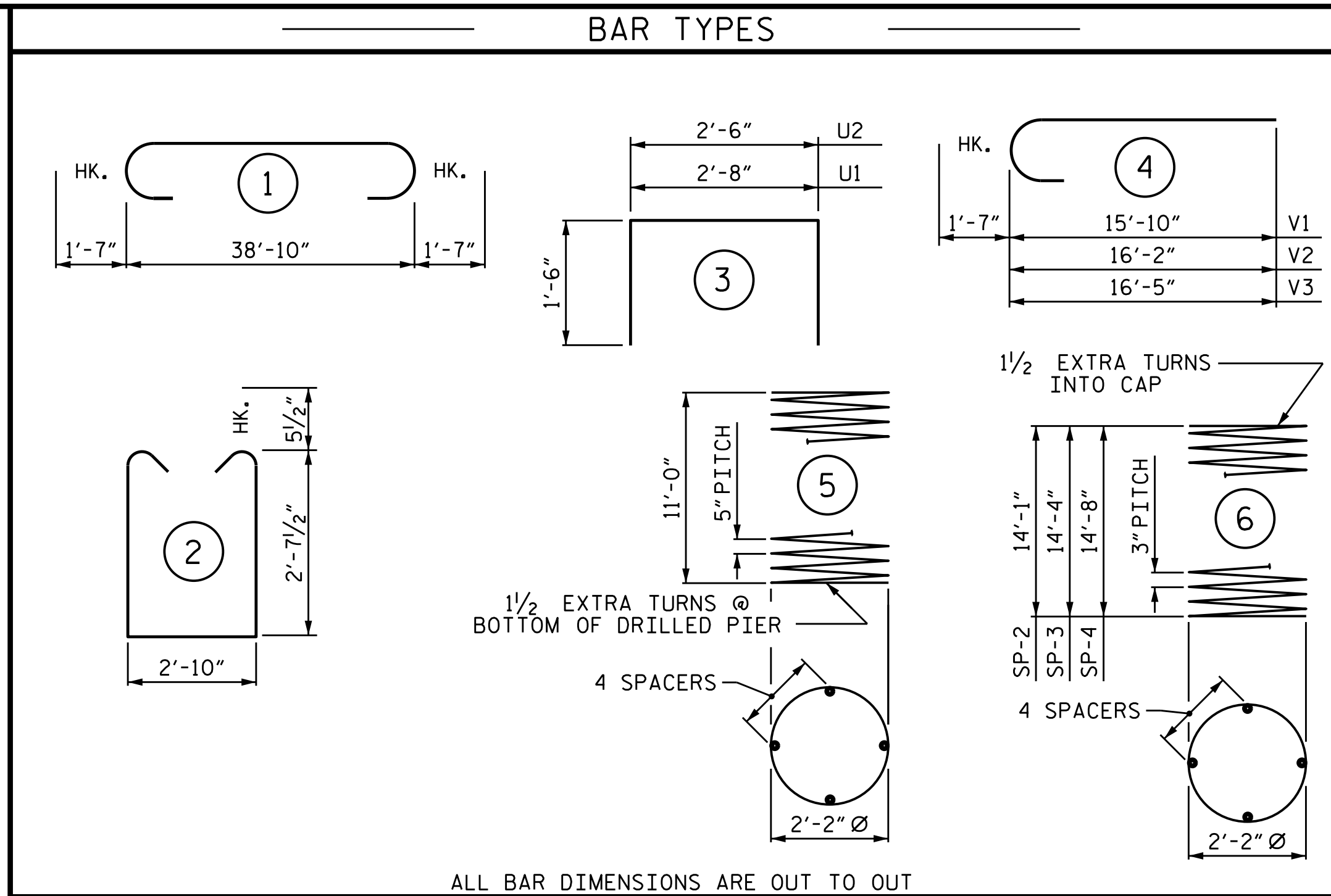
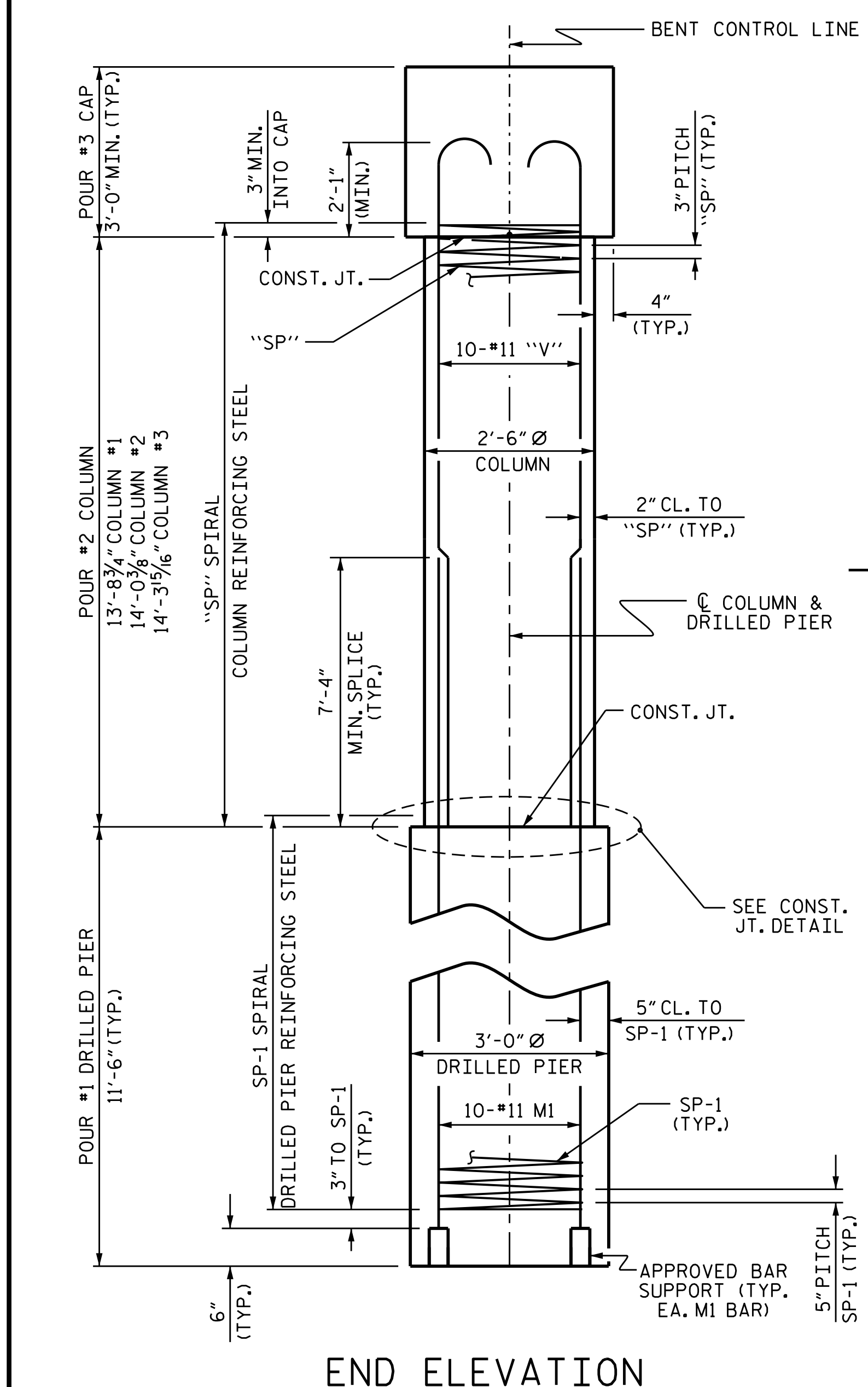


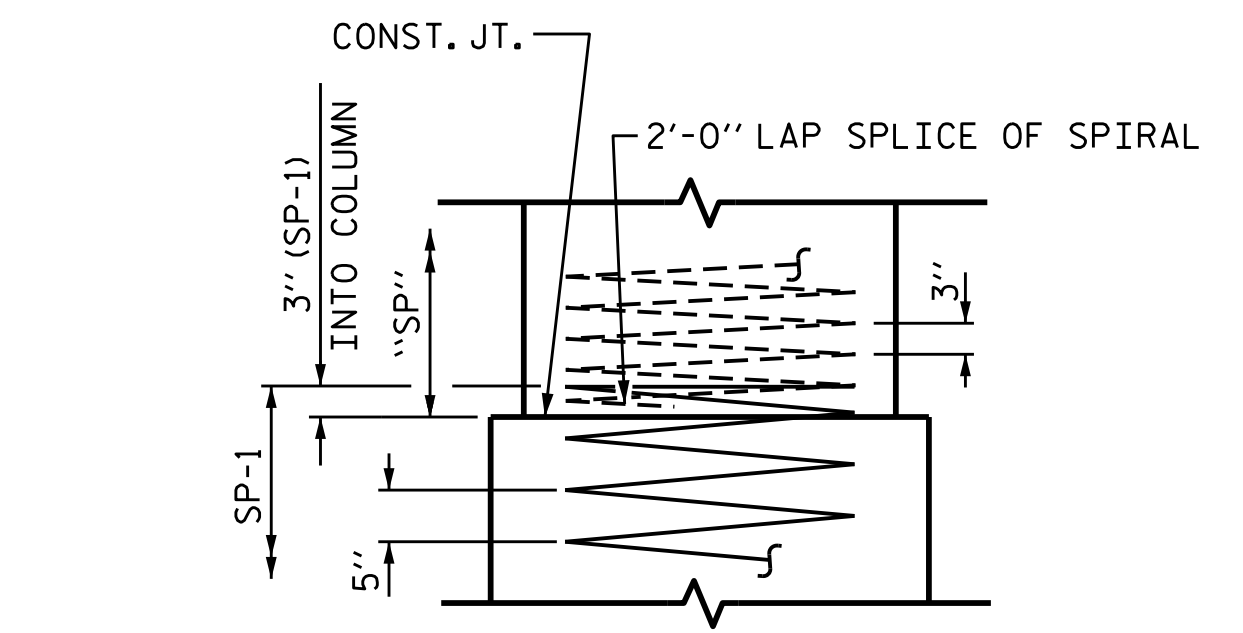
PLAN OF DRILLED PIERS & COLUMNS



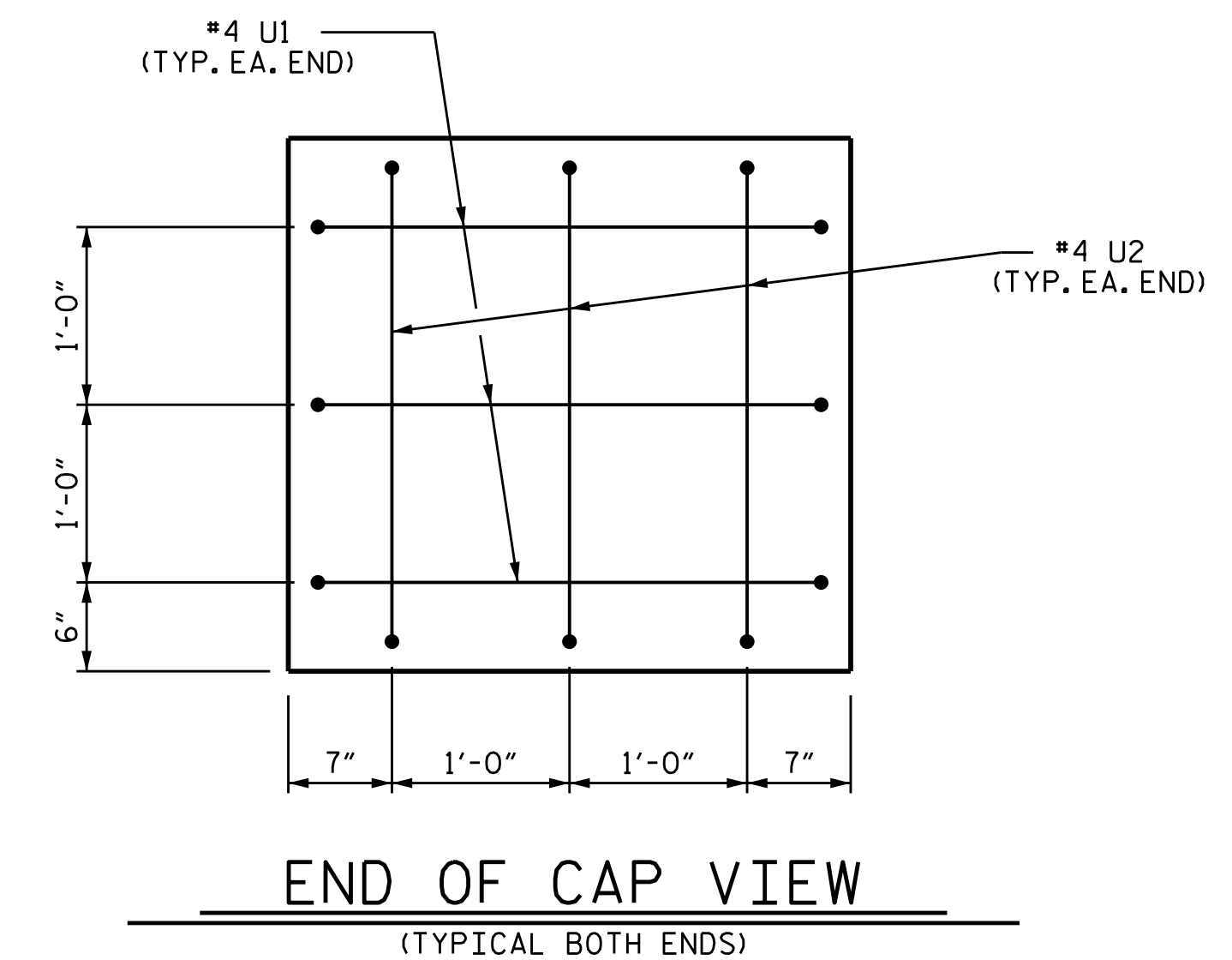
BILL OF MATERIAL FOR ONE BENT					
BAR NO.	NO.	SIZE	TYPE	LENGTH	WEIGHT
B1	10	#11	1	42'-0"	2231
B2	6	#5	STR	39'-0"	244
D1	40	#6	STR	1'-6"	90
M1	30	#11	STR	21'-7"	3440
S1	68	#5	2	9'-0"	638
U1	6	#4	3	5'-8"	23
U2	6	#4	3	5'-6"	22
V1	10	#11	4	17'-5"	925
V2	10	#11	4	17'-9"	943
V3	10	#11	4	18'-0"	956
REINFORCING STEEL (FOR ONE BENT)					9512 LBS.
SP-1	3	*	5	186'-5"	583
SP-2	1	**	6	387'-6"	259
SP-3	1	**	6	394'-2"	263
SP-4	1	**	6	407'-6"	272
SPIRAL COLUMN REINFORCING STEEL (FOR ONE BENT)					1377 LBS.
* THE SP-1 SPIRAL REINFORCING STEEL SHALL BE W31 OR D-31 COLD DRAWN WIRE OR #5 PLAIN OR DEFORMED BAR					
** THE SP-2 SPIRAL REINFORCING STEEL SHALL BE W20 OR D-20 COLD DRAWN WIRE OR #4 PLAIN OR DEFORMED BAR					



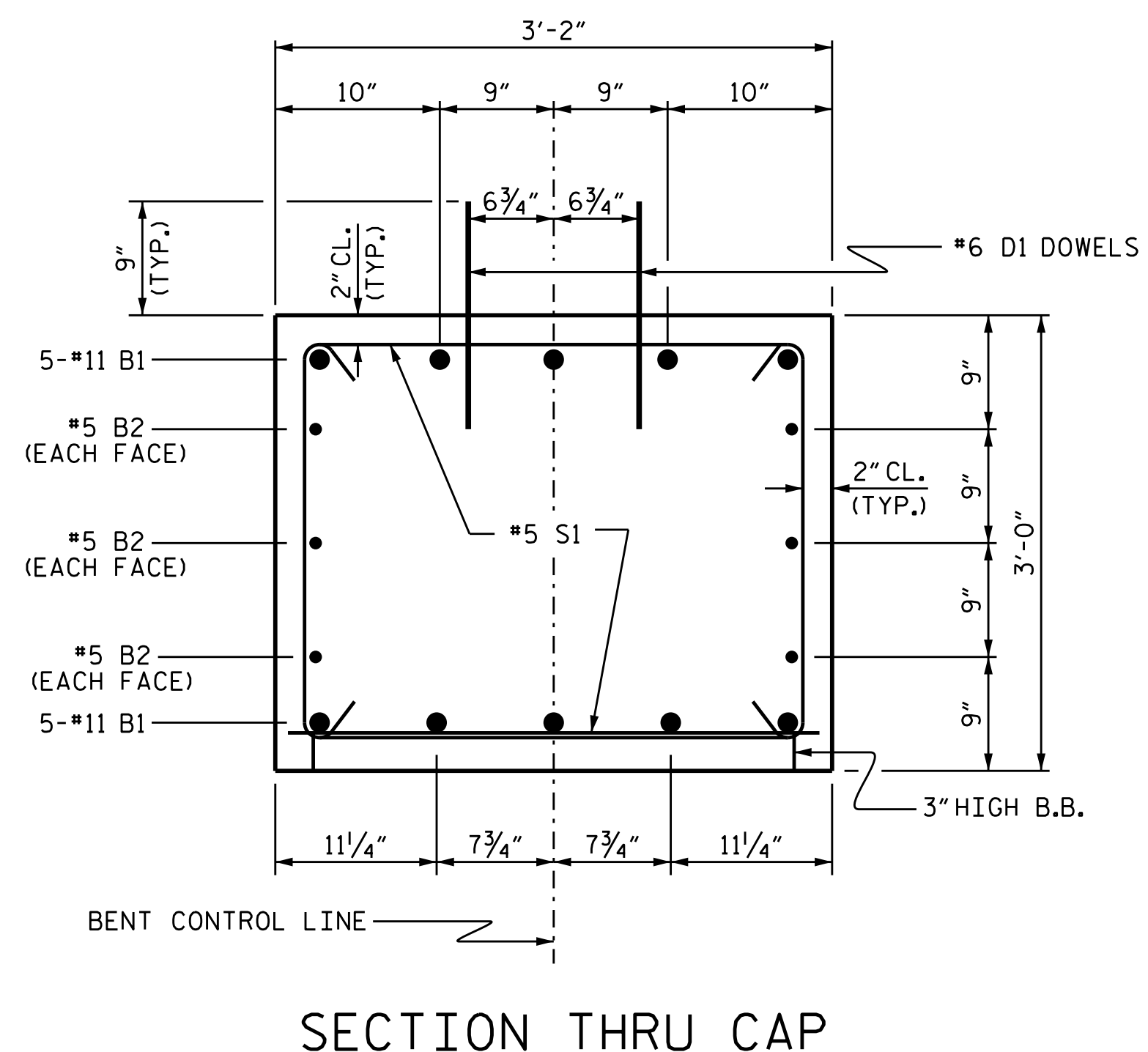
END ELEVATION



CONSTRUCTION JOINT DETAIL



END OF CAP VIEW (TYPICAL BOTH ENDS)

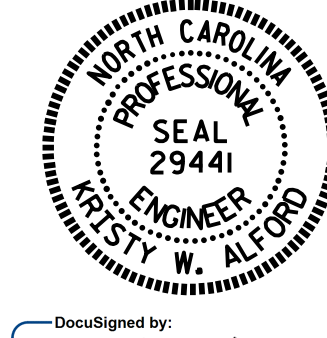


SECTION THRU CAP

CLASS A CONCRETE BREAKDOWN (FOR ONE BENT)	
POUR #2 (COLUMNS)	7.7 C.Y.
POUR #3 (CAP)	13.8 C.Y.
TOTAL CLASS A CONCRETE	21.5 C.Y.
DRILLED PIERS: (FOR ONE BENT)	
DRILLED PIER CONCRETE	
POUR #1 (DRILLED PIERS)	9.0 C.Y.
3'-0" Ø DRILLED PIER NOT IN SOIL	25.0 LIN. FT.
3'-0" Ø DRILLED PIER IN SOIL	9.5 LIN. FT.
PERMANENT STEEL CASING FOR 3'-0" Ø DRILLED PIER	12.9 LIN. FT.
CSL TUBES	156.0 LIN. FT.

PROJECT NO. B-5171
GRANVILLE COUNTY
 STATION: 15+12.00 -L-
 SHEET 2 OF 2

STATE OF NORTH CAROLINA
 DEPARTMENT OF TRANSPORTATION
 RALEIGH
 SUBSTRUCTURE
 BENT 1



ASSEMBLED BY : A. SORSENGINH	DATE : 2/2015
CHECKED BY : JP ADAMS	DATE : 11/2015
DRAWN BY : DGE	3/10
CHECKED BY : MKT	3/10
REV. 11/14	MAA/TMG

DOCUMENT NOT CONSIDERED FINAL UNLESS ALL SIGNATURES COMPLETED

REVISIONS						SHEET NO.
NO.	BY:	DATE:	NO.	BY:	DATE:	S-16
1			3			TOTAL SHEETS 18
2			4			