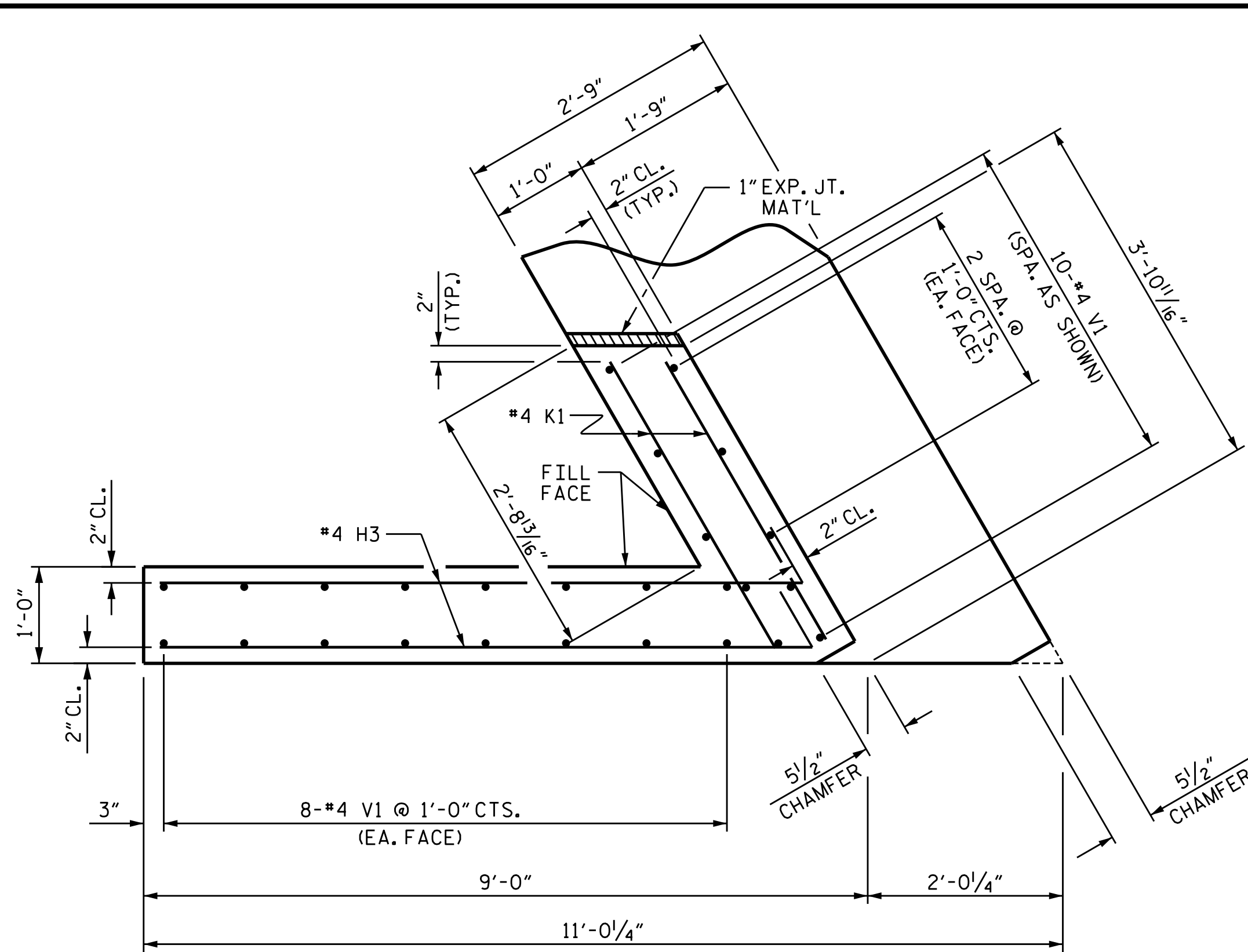
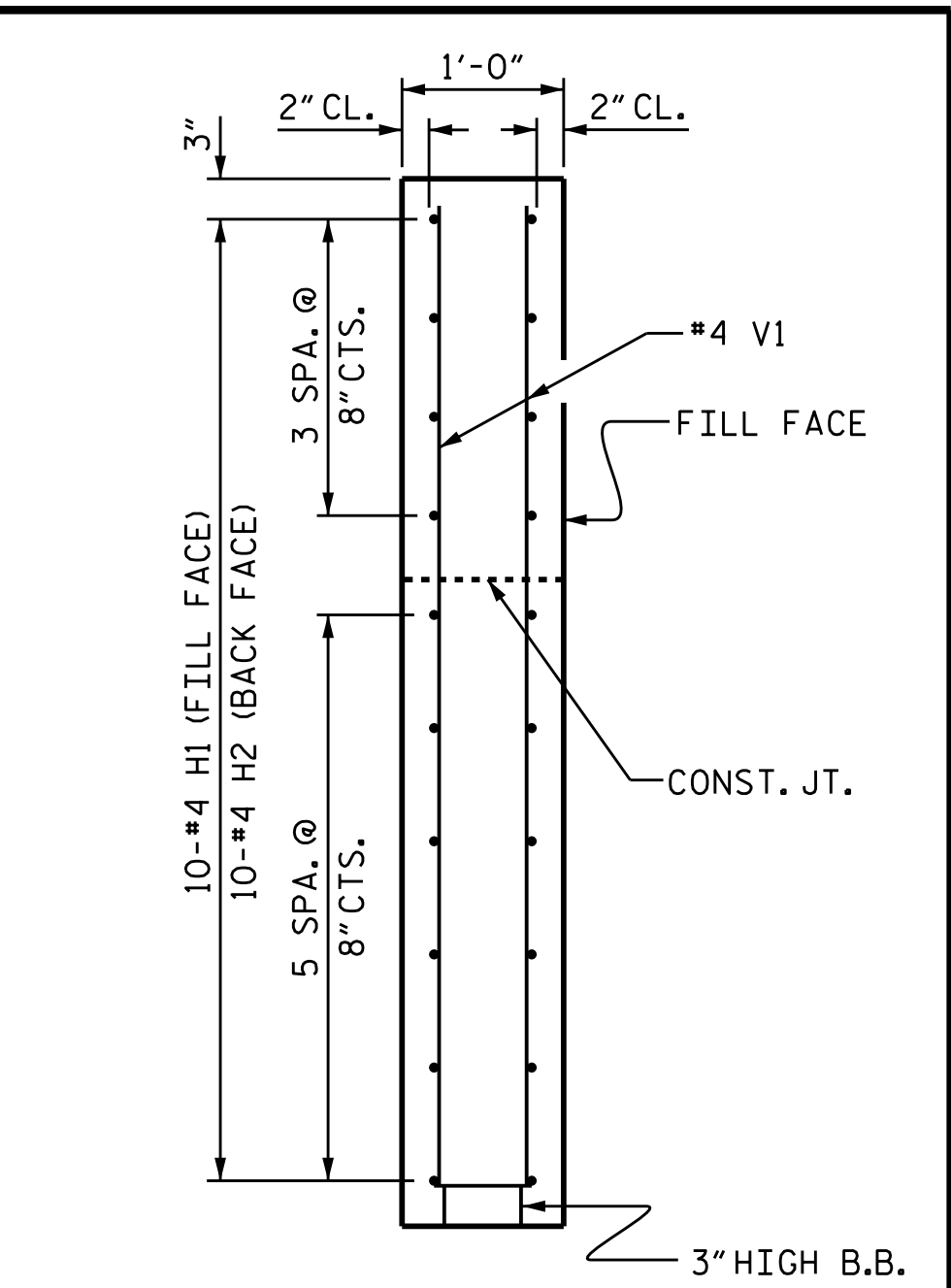


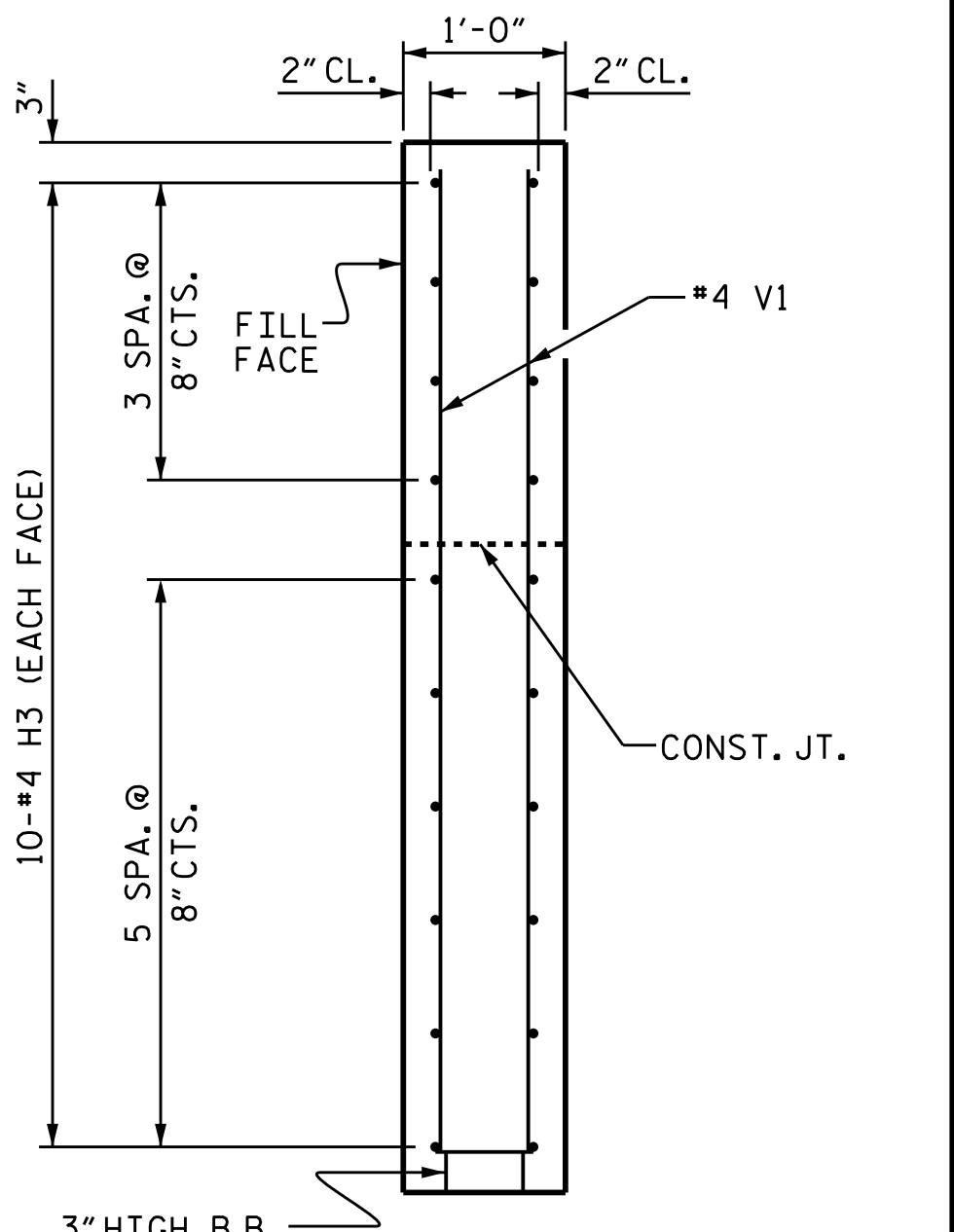
PLAN OF WING (W1)



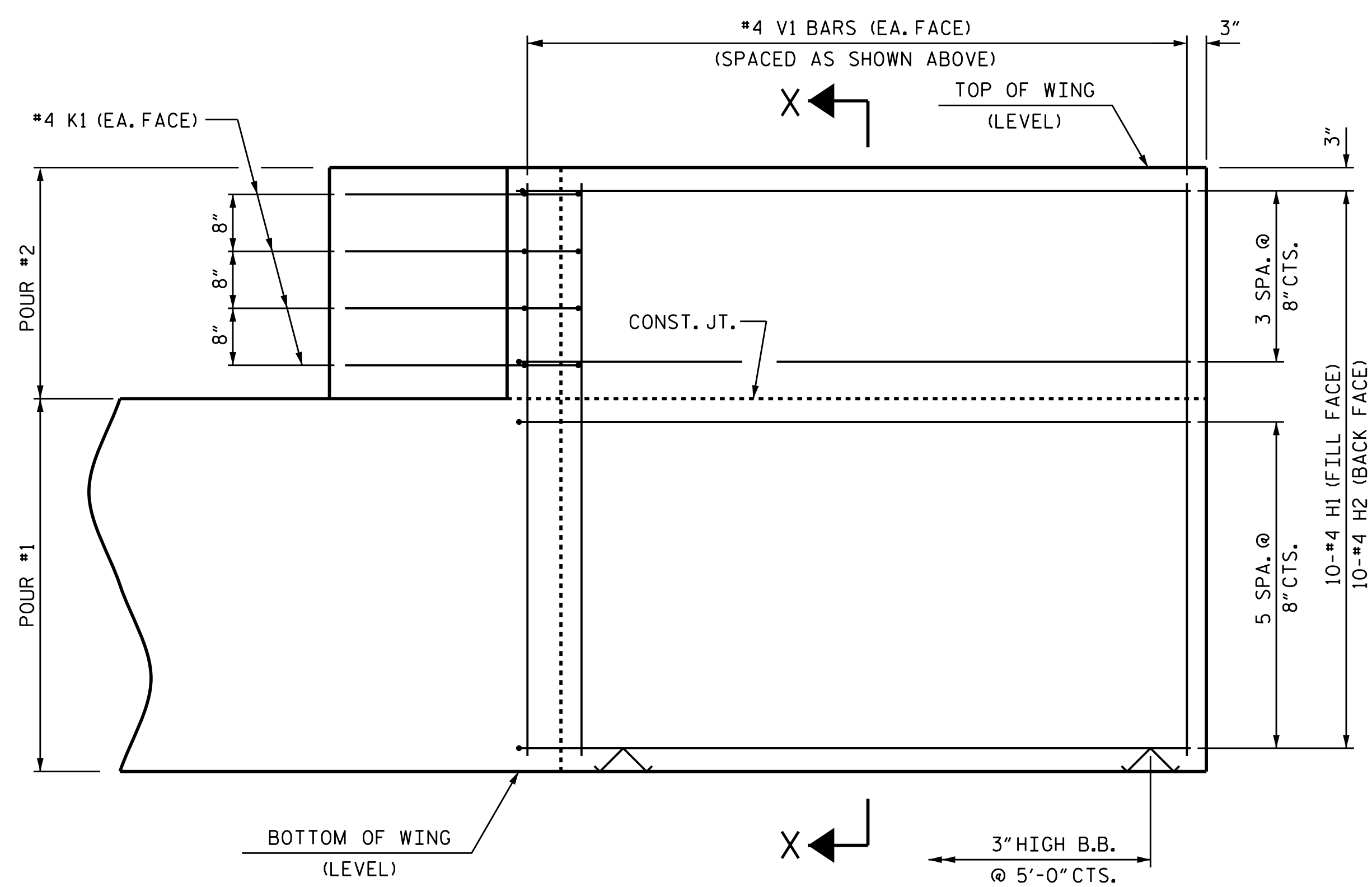
PLAN OF WING (W2)



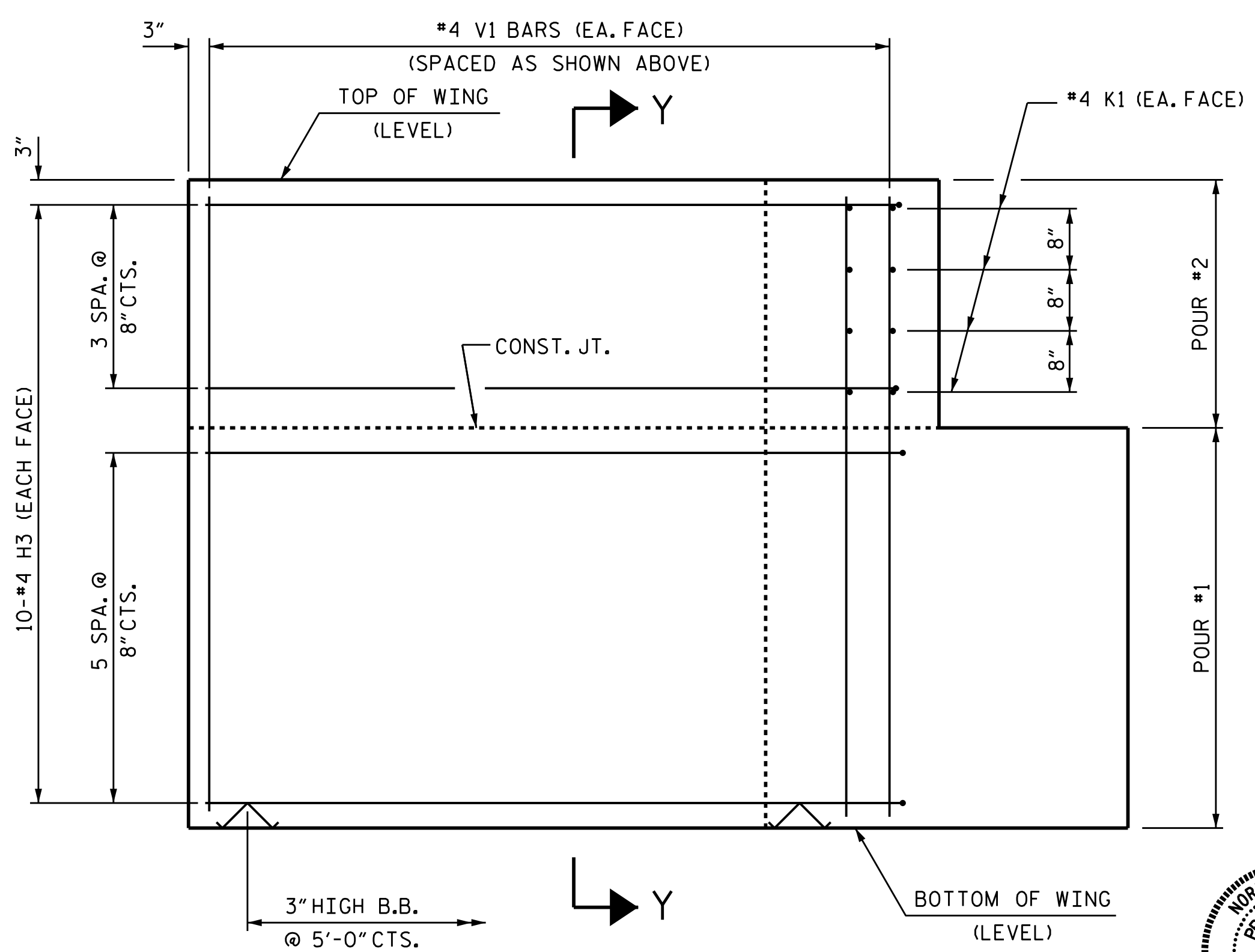
SECTION X-X



SECTION Y-Y



ELEVATION OF WING (W1)



ELEVATION OF WING (W2)

WING DETAILS

PROJECT NO. B-5171
 GRANVILLE COUNTY
 STATION: 15+12.00 -L-

SHEET 3 OF 4

STATE OF NORTH CAROLINA
 DEPARTMENT OF TRANSPORTATION
 RALEIGH

SEAL
 29441
 ENGINEER
 WESLEY W. ALFORD

DocuSigned by:
 3/22/2016

ASSEMBLED BY : A. SORSENGINH	DATE : 2/2015
CHECKED BY : JP ADAMS	DATE : 11/2015
DRAWN BY : WJH 12/11	REV. 4/15
CHECKED BY : AAC 12/11	MAA/TMG

DOCUMENT NOT CONSIDERED FINAL
 UNLESS ALL SIGNATURES COMPLETED

REVISIONS						SHEET NO.	
NO.	BY:	DATE:	NO.	BY:	DATE:	S-13	
1			3			TOTAL SHEETS 18	
2			4				

22-MAR-2016 08:08
 R:\Structures\Plans\Substructure\B5171.5D.E*.dgn
 jpodams