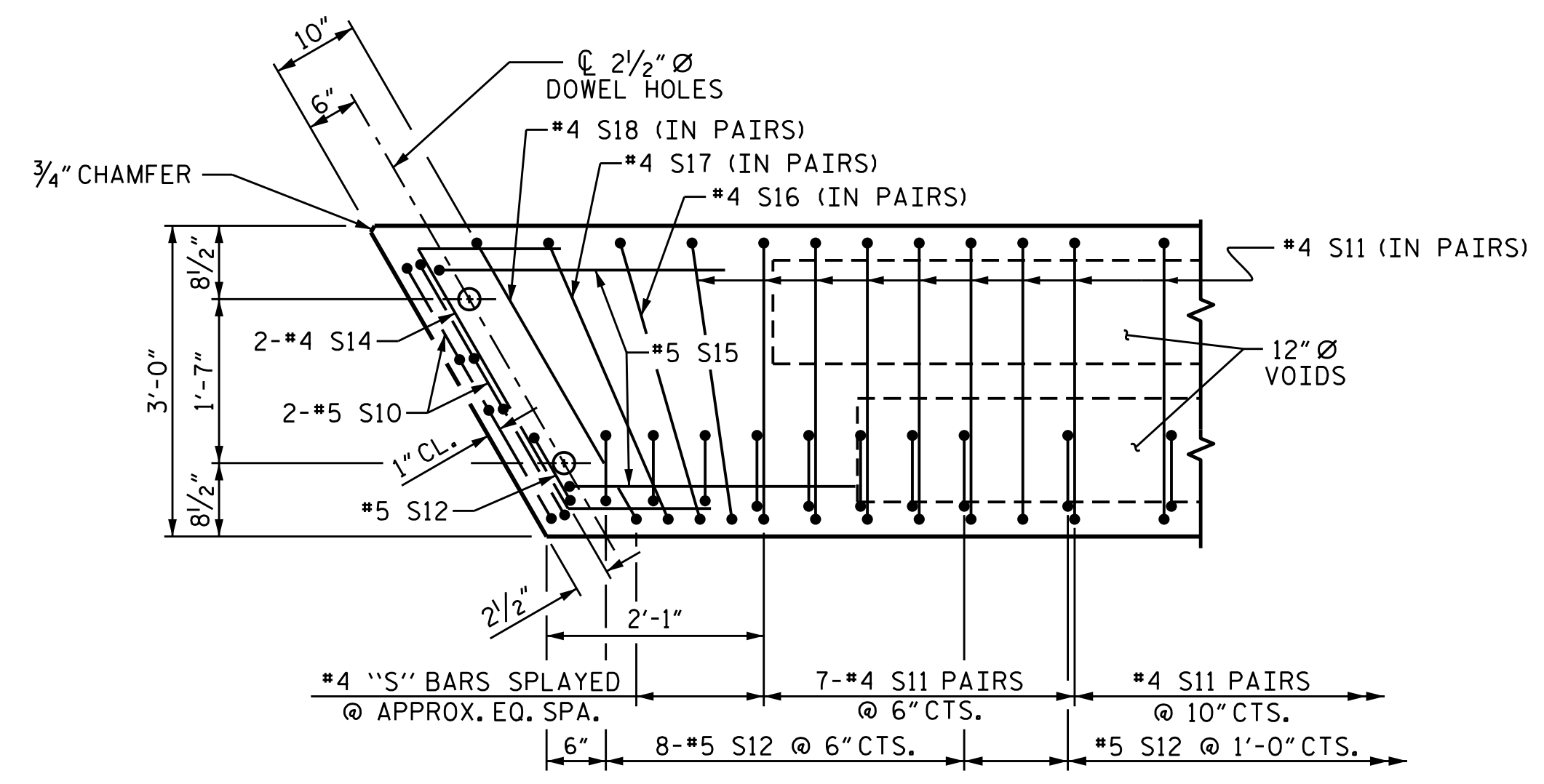
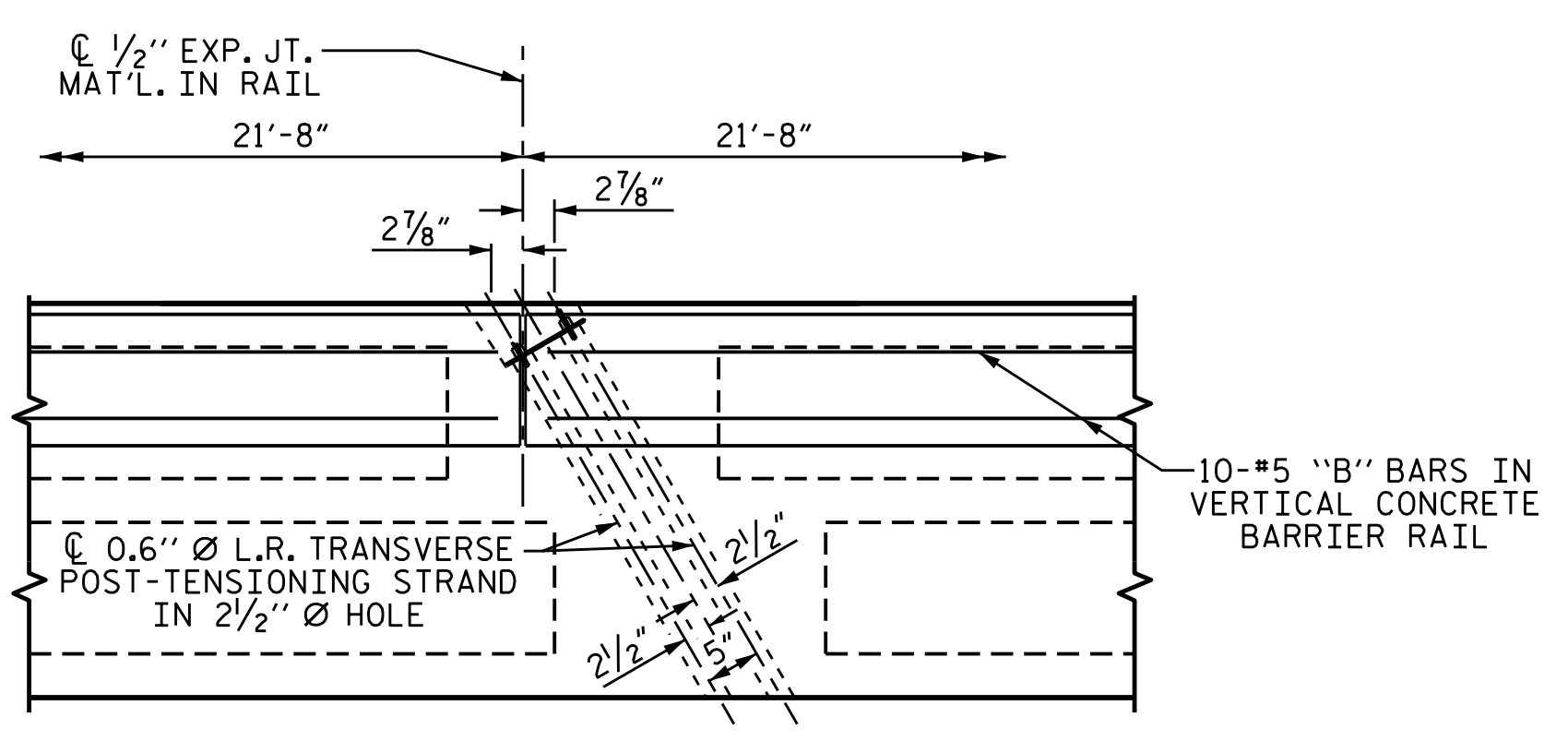


PLAN OF UNIT
SPAN B



DETAIL "A"

(SIMILAR EACH END OF UNIT)
NOTE: EXTERIOR UNIT SHOWN - INTERIOR UNIT SIMILAR EXCEPT OMIT #5 S12 BARS.



DETAIL "B"

#4 S11 BARS MAY BE SHIFTED AS NECESSARY TO MAINTAIN 1" CLEAR TO GROUDED RECESS AND 2 1/2" Ø TRANSVERSE POST-TENSIONING STRAND HOLES

PROJECT NO. B-5171
GRANVILLE COUNTY
STATION: 15+12.00 -L-

SHEET 3 OF 5

STATE OF NORTH CAROLINA
DEPARTMENT OF TRANSPORTATION
RALEIGH
PLAN OF 65' UNIT
27'-10" CLEAR ROADWAY
60° SKEW
SPAN B



ASSEMBLED BY :	A. SORSENGIH	DATE :	2/2015
CHECKED BY :	JP ADAMS	DATE :	11/2015
DRAWN BY :	MAA	6/10	REV. 12/5/11
CHECKED BY :	MKT	7/10	REV. 8/14
			MAA/AAC
			MAA/TMG

REVISIONS						SHEET NO.
NO.	BY:	DATE:	NO.	BY:	DATE:	S-7
1			3			TOTAL SHEETS
2			4			18

DOCUMENT NOT CONSIDERED FINAL
UNLESS ALL SIGNATURES COMPLETED