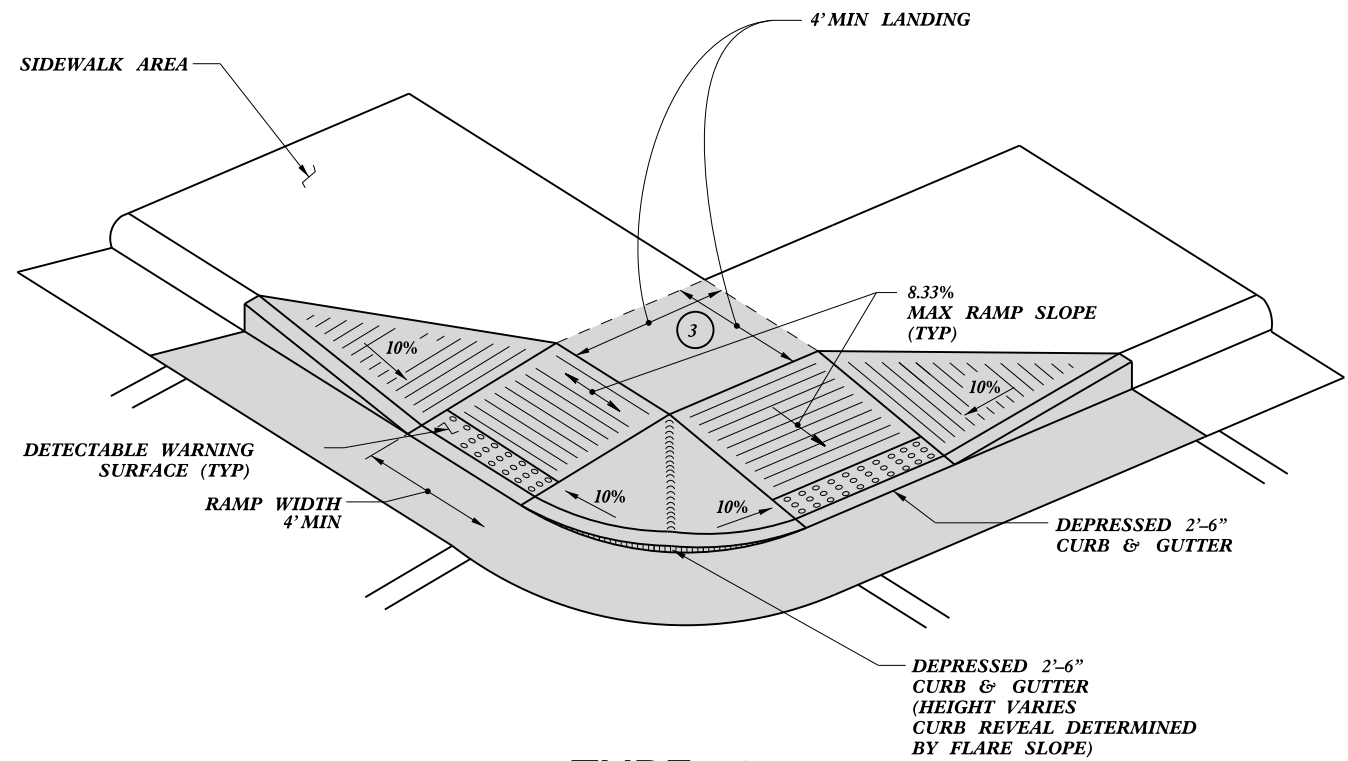
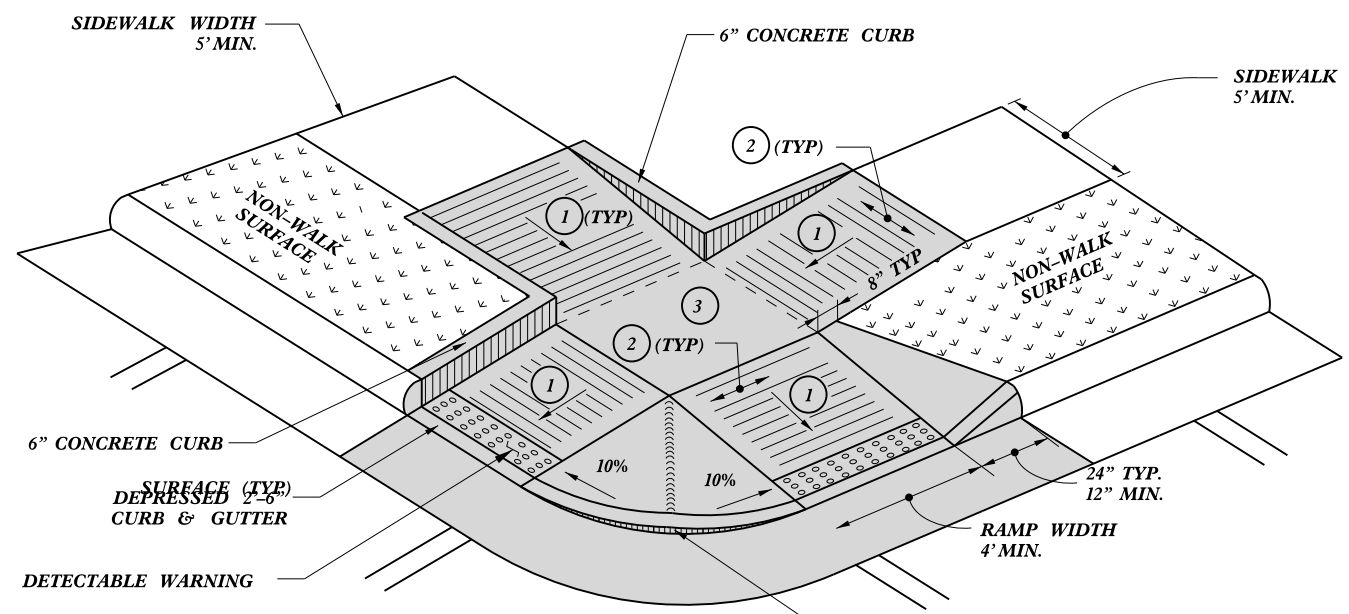


etc

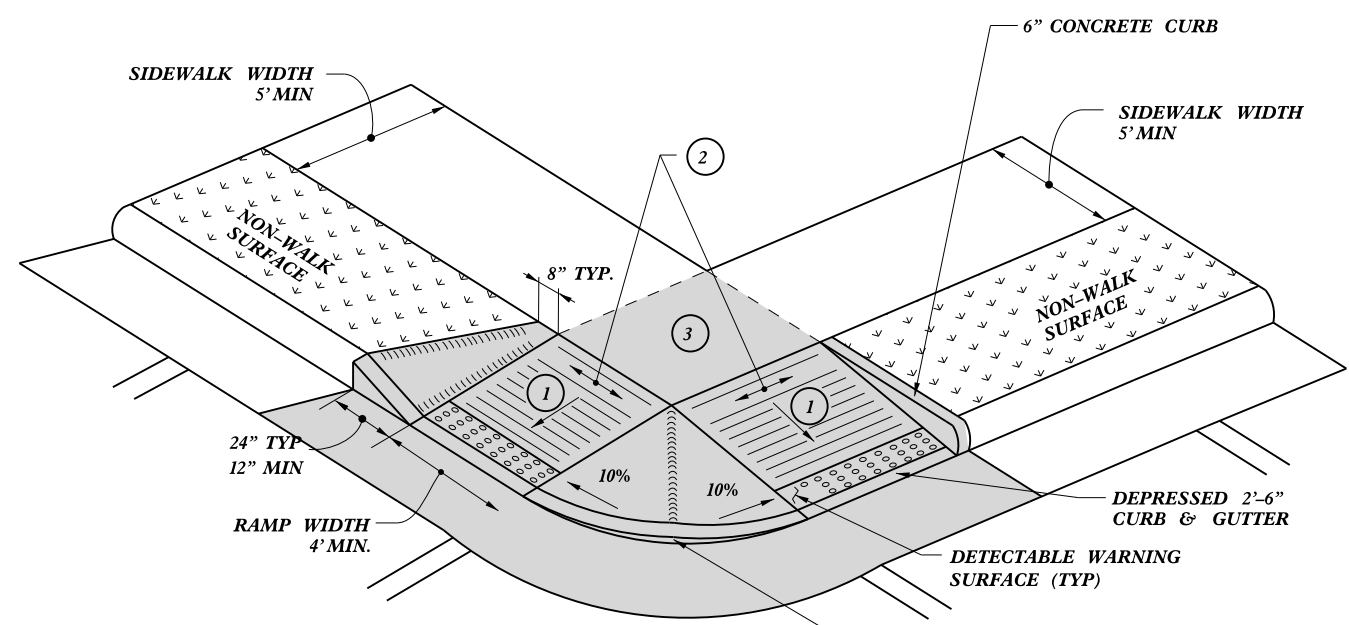
PAY LIMITS FOR 2 CURB RAMPS



**TYPE 4**



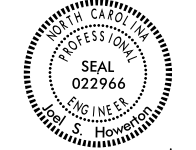
**TYPE 5**



**TYPE 4A**

- ① 8.33% (12:1) MAX RAMP SLOPE
- ② CROSS SLOPE: 2.00%
- ③ CURB RAMPS REQUIRE A (4'-0") MINIMUM LANDING WITH A MAXIMUM CROSS SLOPE AND LONGITUDINAL SLOPE OF 2.00% WHERE PEDESTRIANS PERFORM TURNING MANEUVERS. SLOPE TO DRAIN TO CURB.

DocuSigned by:  
**Joel S Howerton**  
 449E8E25522144F...



11/18/2015

DOCUMENT NOT CONSIDERED FINAL UNLESS ALL SIGNATURES COMPLETED

<b>CONTRACT STANDARDS AND DEVELOPMENT UNIT</b>	
Office 919-707-6950	FAX 919-250-4119
<b>CURB RAMPS</b>	
Shared Landing	
ORIGINAL BY: J.S. HOWERTON	DATE: 7/7/11
MODIFIED BY:	DATE:
CHECKED BY:	DATE:
FILE SPEC. :stds/2012CurbRamp/CurbRampDetails.dwg	

REFER TO ROADWAY STANDARD DRAWING NUMBER 848.05 SHEET 3 OF 3 FOR ALL RAMP NOTES

5/14/99  
 \$\$\$\$\$\$SYTIME\$\$\$\$\$  
 \$\$\$\$\$\$CONUS\$\$\$\$\$  
 \$\$\$\$\$\$SERNAME\$\$\$\$\$  
 \$\$\$\$\$\$DU\$\$\$\$\$  
 \$\$\$\$\$\$\$\$\$\$\$